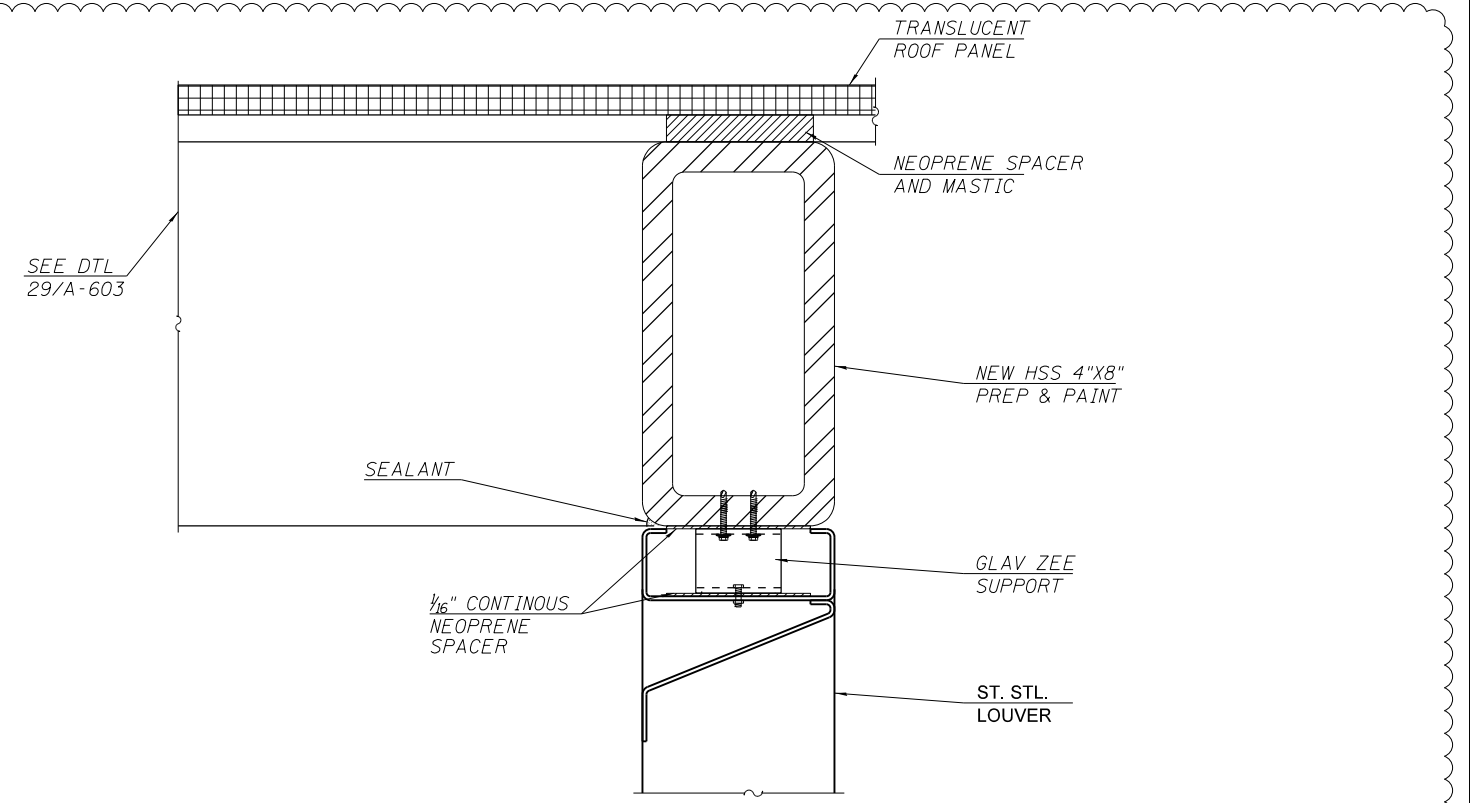
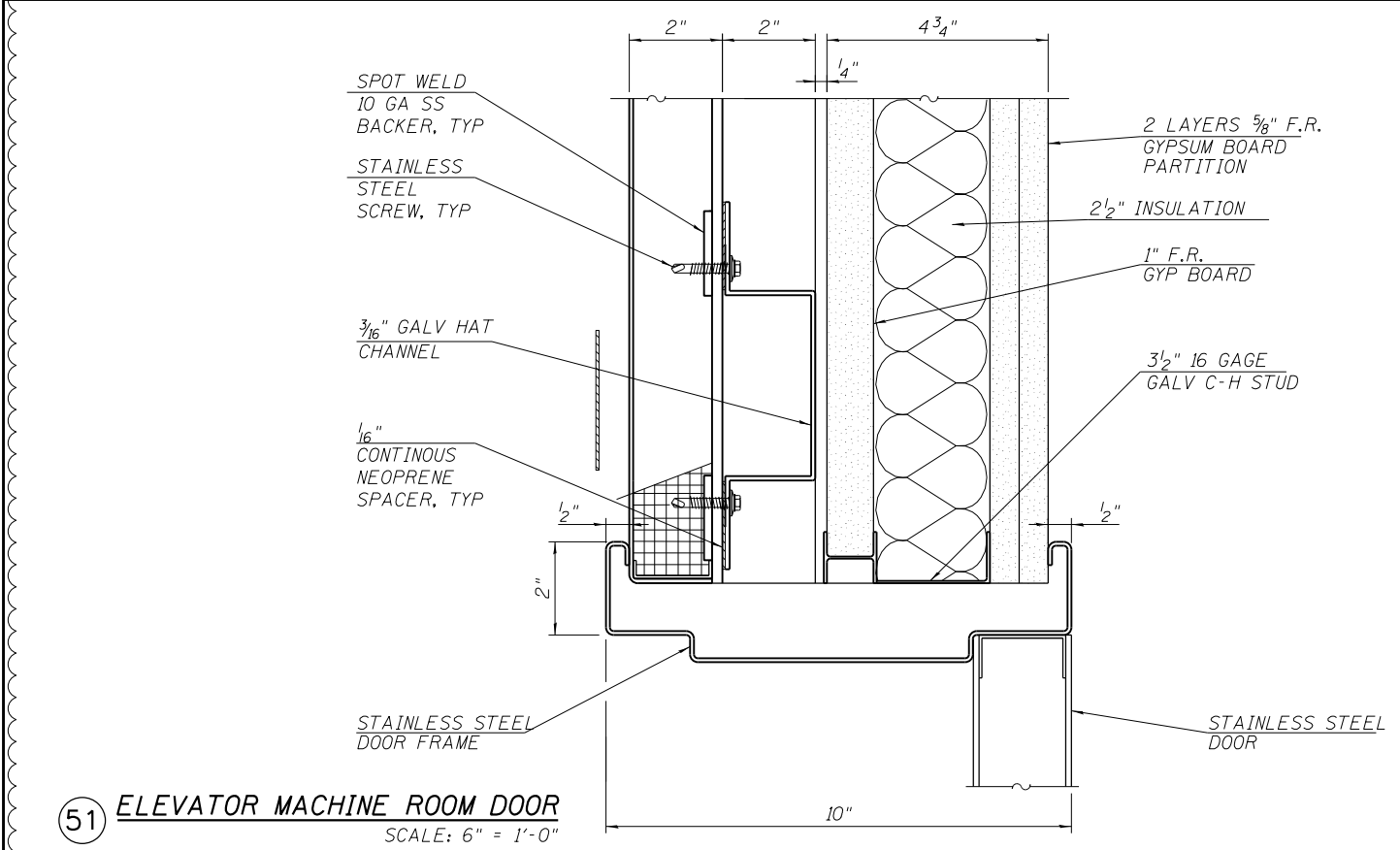


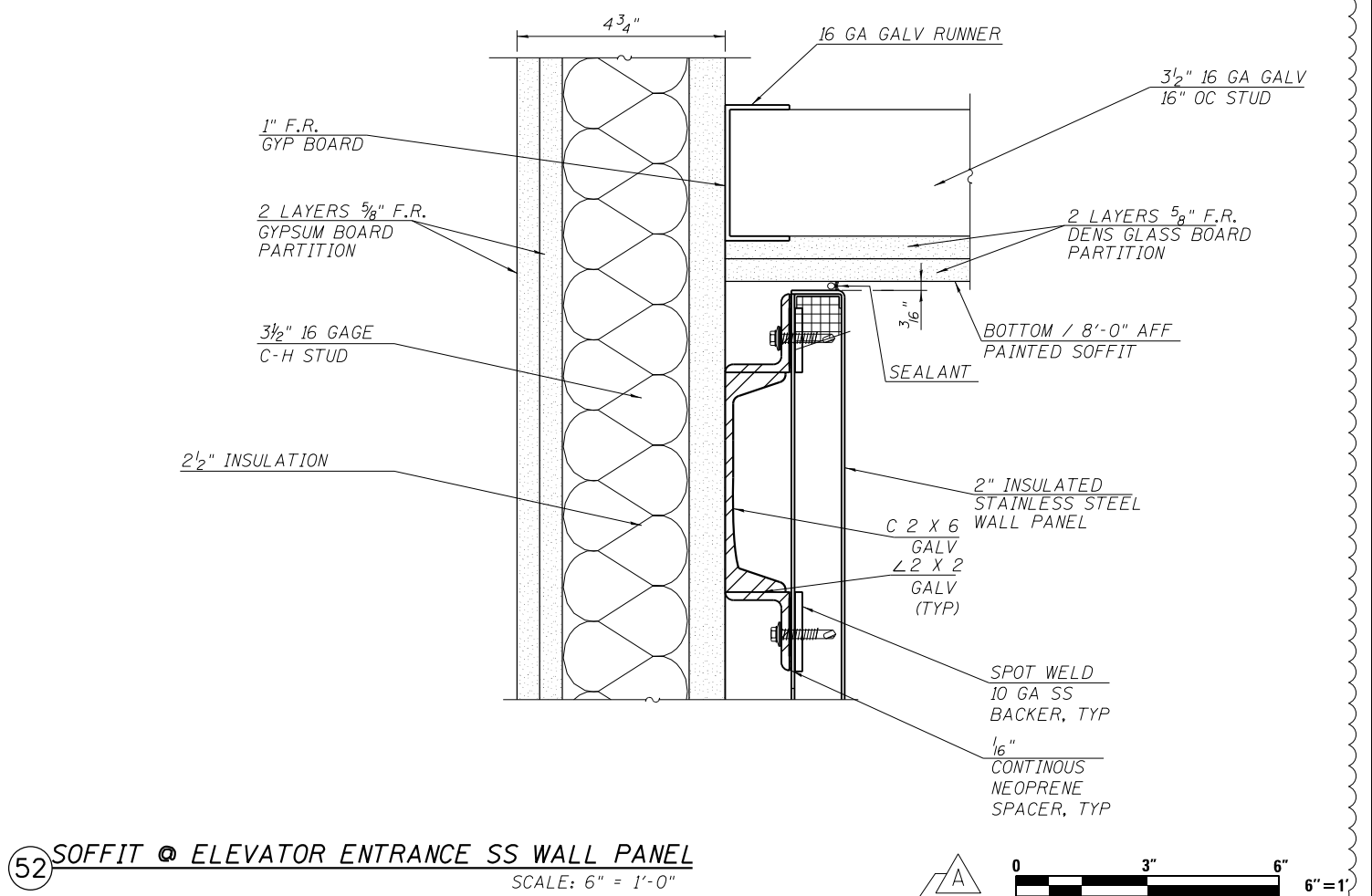
49 TRANSLUCENT ROOF AT MACHINE ROOM STAINLESS STEEL WALL PANEL
SCALE: 6" = 1'-0"



50 TRANSLUCENT ROOF PANEL DETAIL AT EAST CANOPY
SCALE: 6" = 1'-0"



51 ELEVATOR MACHINE ROOM DOOR
SCALE: 6" = 1'-0"



52 SOFFIT @ ELEVATOR ENTRANCE SS WALL PANEL
SCALE: 6" = 1'-0"

4:32:54 PM 01/17/08-60W29-A-608.dgn



USER NAME = whbruce	DESIGNED - DAF	REVISED - 1/20/2014
PLOT SCALE = 4:0.0000 Ins/in / in.	CHECKED - CRR	REVISED -
PLOT DATE = 1/20/2014	DRAWN - MSL	REVISED -
	CHECKED - CRR	REVISED -

STATE OF ILLINOIS
DEPARTMENT OF TRANSPORTATION

PERORIA STREET STATION
STATION DETAILS

SHEET NO. A-608 OF 117 SHEETS

MUN	SECTION	COUNTY	TOTAL SHEETS	SHEET NO.
2090	2013-011R	COOK	356	252C
CONTRACT NO. 60W29			ILLINOIS FED. AID PROJECT FED. AID PROJECT	