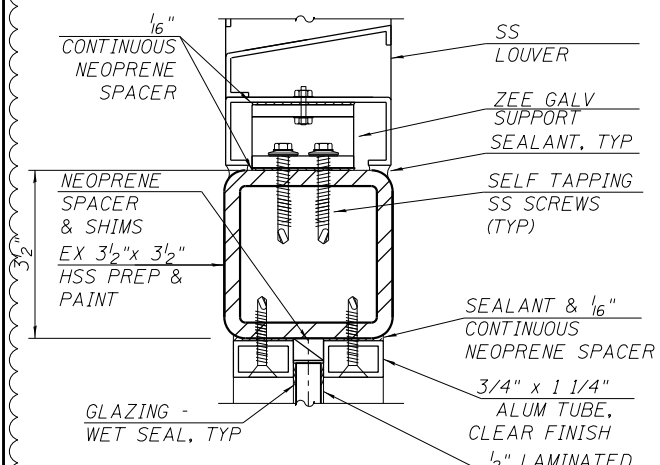
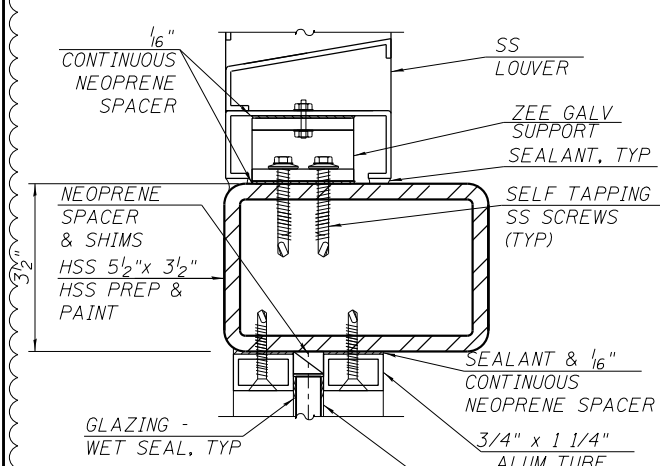


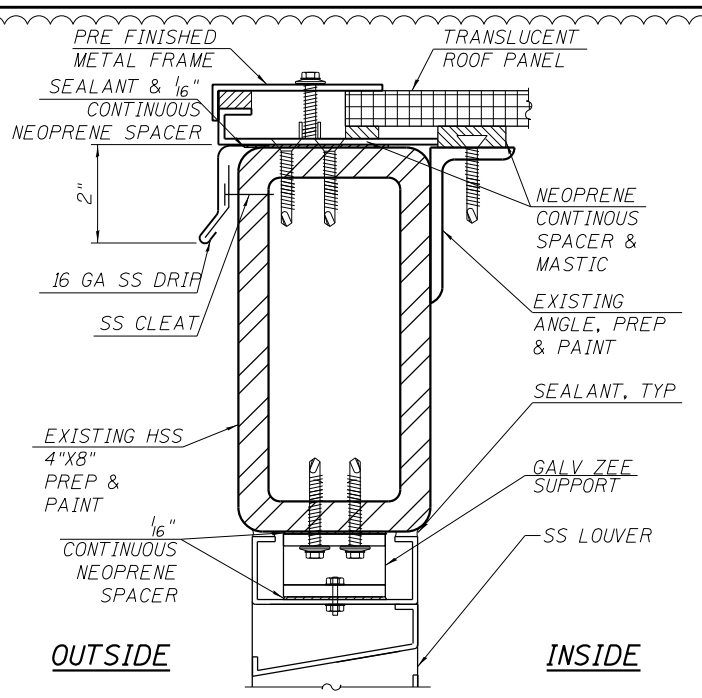
21 HEAD METAL PANEL @ LOUVER
SCALE: 6" = 1'-0"



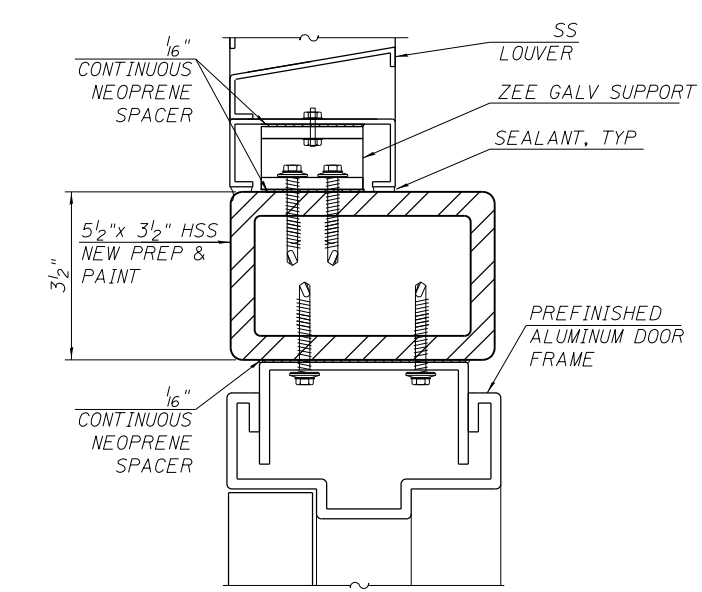
22 WINDOW @ LOUVER ABOVE
SCALE: 6" = 1'-0"



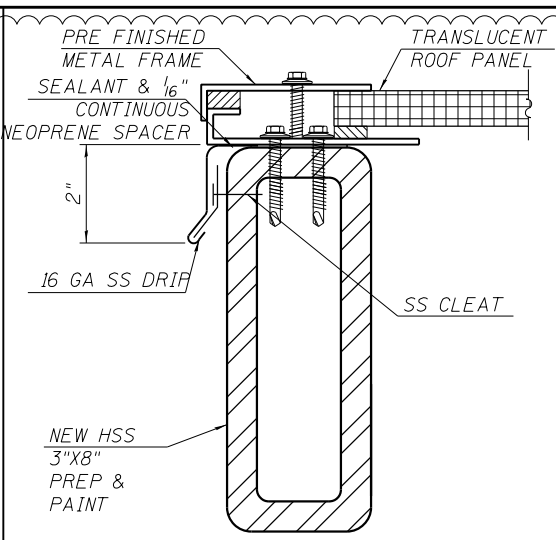
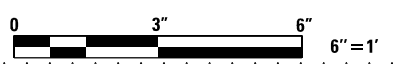
22A WINDOW @ LOUVER ABOVE
SCALE: 6" = 1'-0"



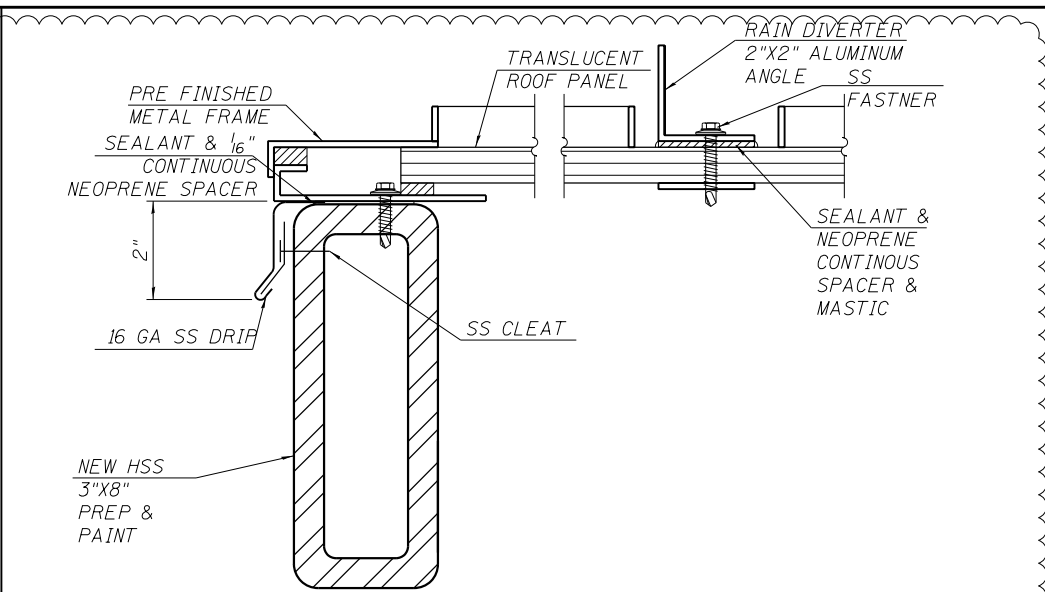
24 ROOF AT LOUVER AT EAST & WEST WALL
SCALE: 6" = 1'-0"



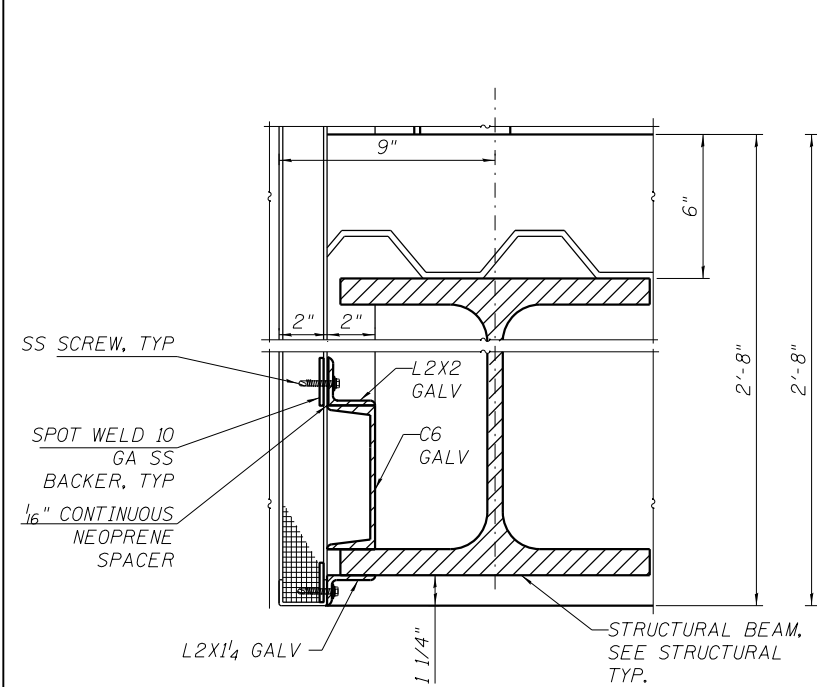
23 DOOR FRAME @ LOUVER ABOVE



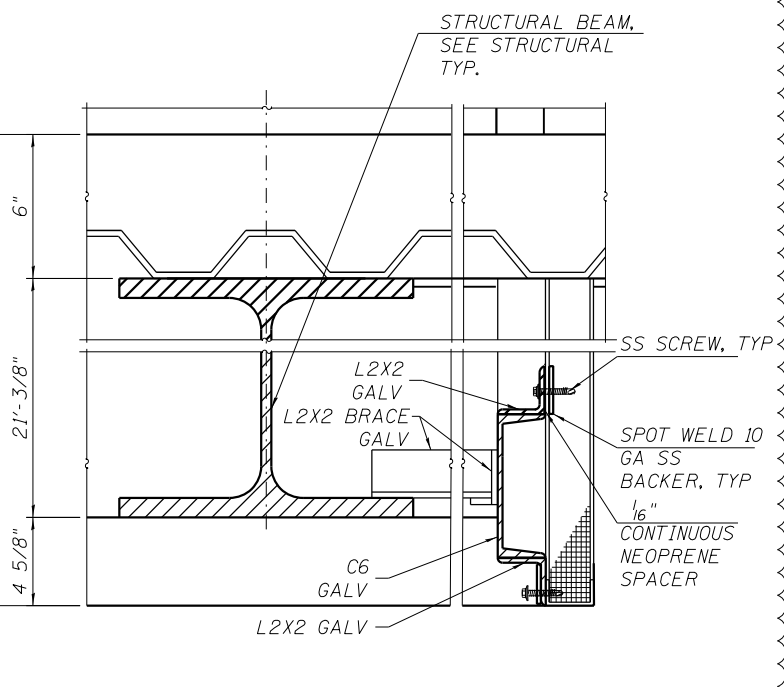
29 ENTRANCE CANOPY DETAIL
SCALE: 6" = 1'-0"



30 ENTRANCE CANOPY DETAIL
SCALE: 6" = 1'-0"



25 WEST BEAM DETAIL AT MACHINE ROOM
SCALE: 3" = 1'-0"



26 EAST BEAM DETAIL AT MACHINE ROOM
SCALE: 3" = 1'-0"

4:32:37 PM 01/17/08-60W29-A-603.dgn



USER NAME = whbruce	DESIGNED - WHB	REVISED - 1/20/2014
PLOT SCALE = 4:0.0000 ins/in / in.	CHECKED - CRR	REVISED -
PLOT DATE = 1/20/2014	DRAWN - WHB	REVISED -
	CHECKED - CRR	REVISED -

STATE OF ILLINOIS
DEPARTMENT OF TRANSPORTATION

PEORIA STREET STATION
STATION DETAILS

SHEET NO. A-603 OF 117 SHEETS

MUN 2090	SECTION 2013-011R	COUNTY COOK	TOTAL SHEETS 356	SHEET NO. 250
CONTRACT NO. 60W29			ILLINOIS FED. AID PROJECT FED. AID PROJECT	