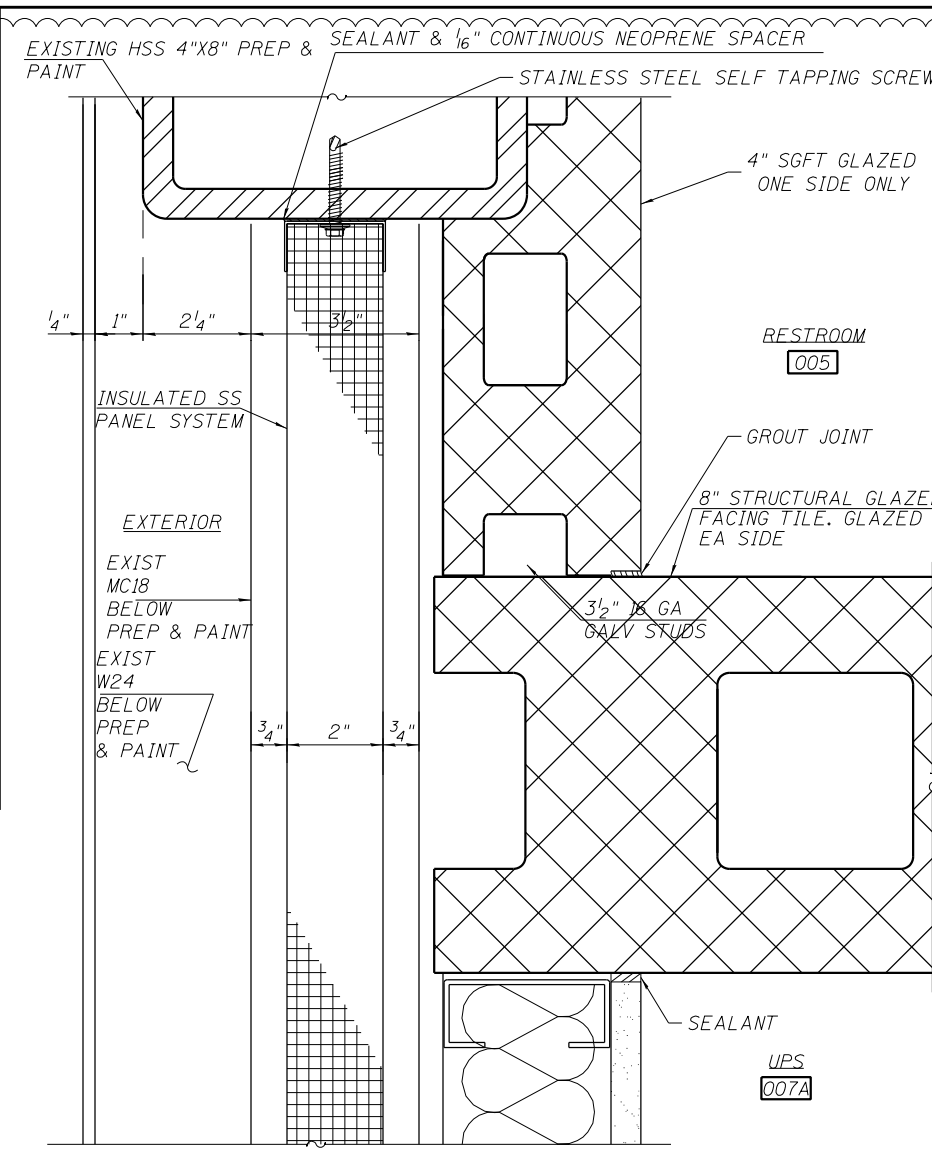
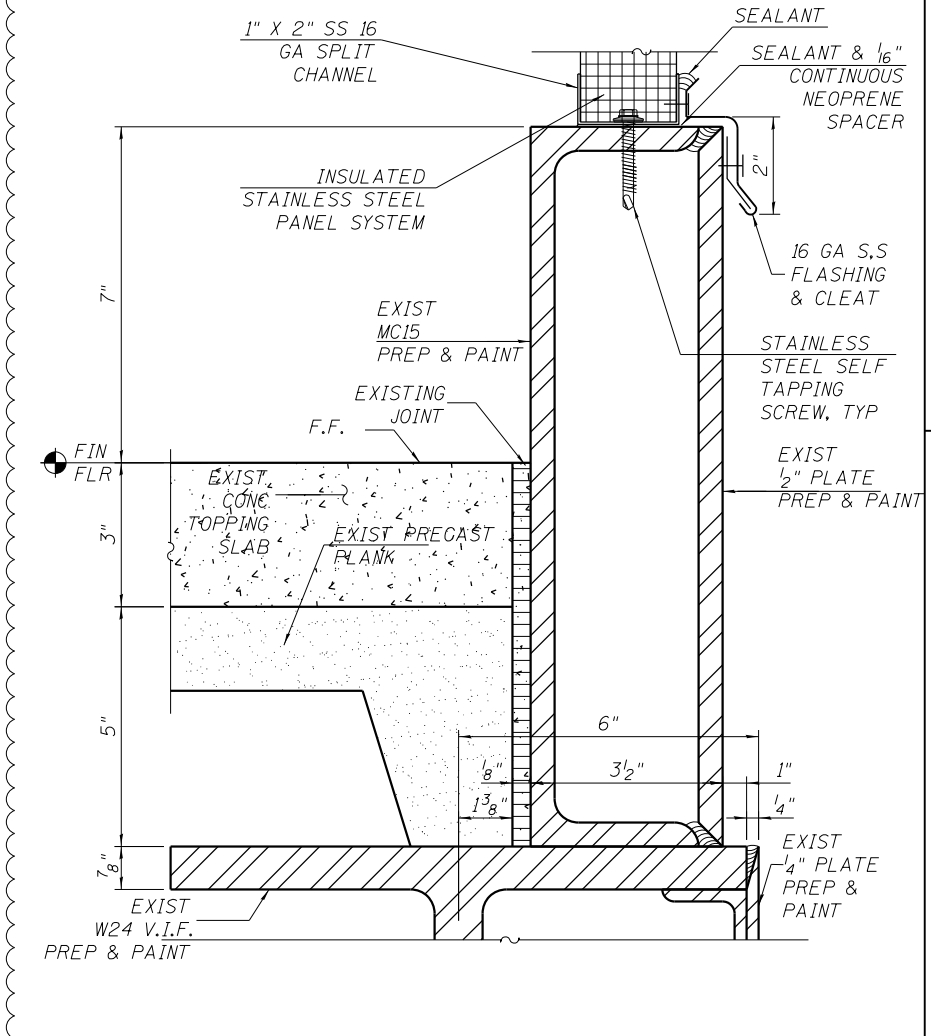


15 SILL METAL PANEL AT NORTH ELEVATION
SCALE: 6" = 1'-0"

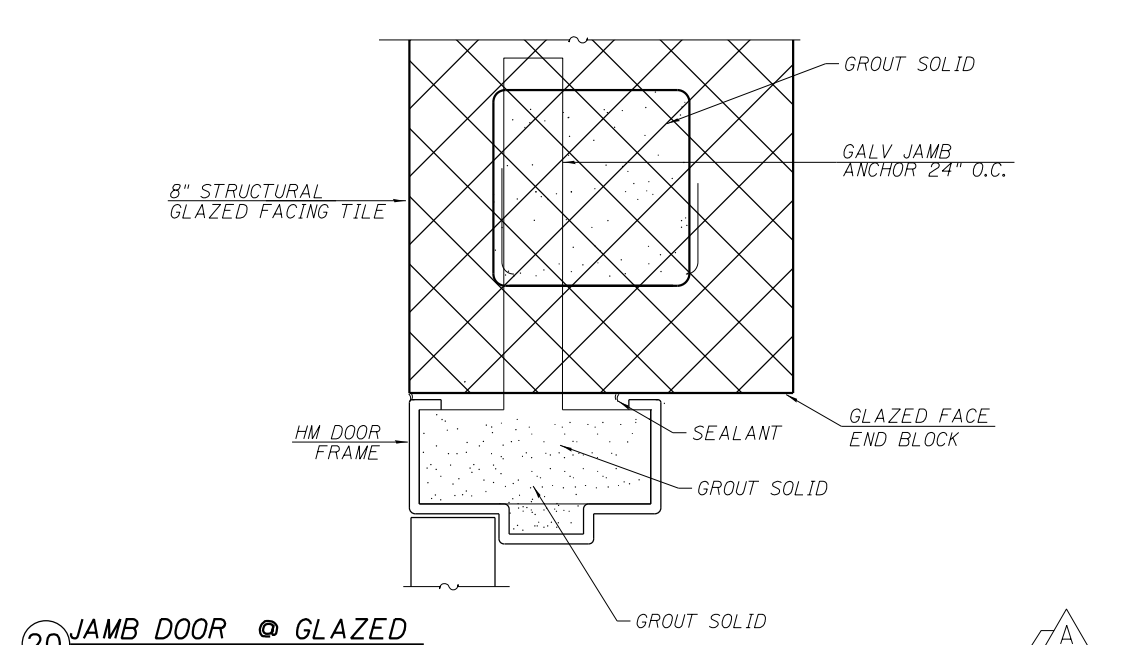
15A WALL PANEL
SCALE: 6" = 1'-0"



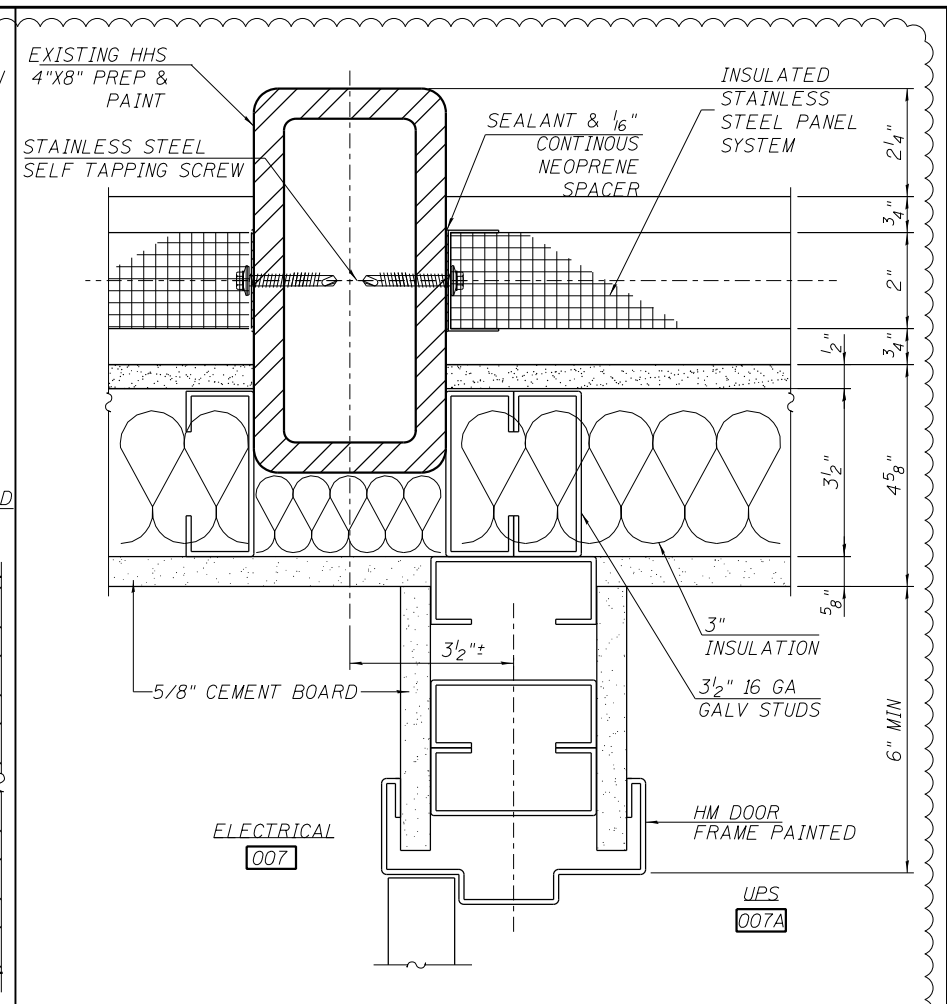
17 SILL METAL PANEL
SCALE: 6" = 1'-0"



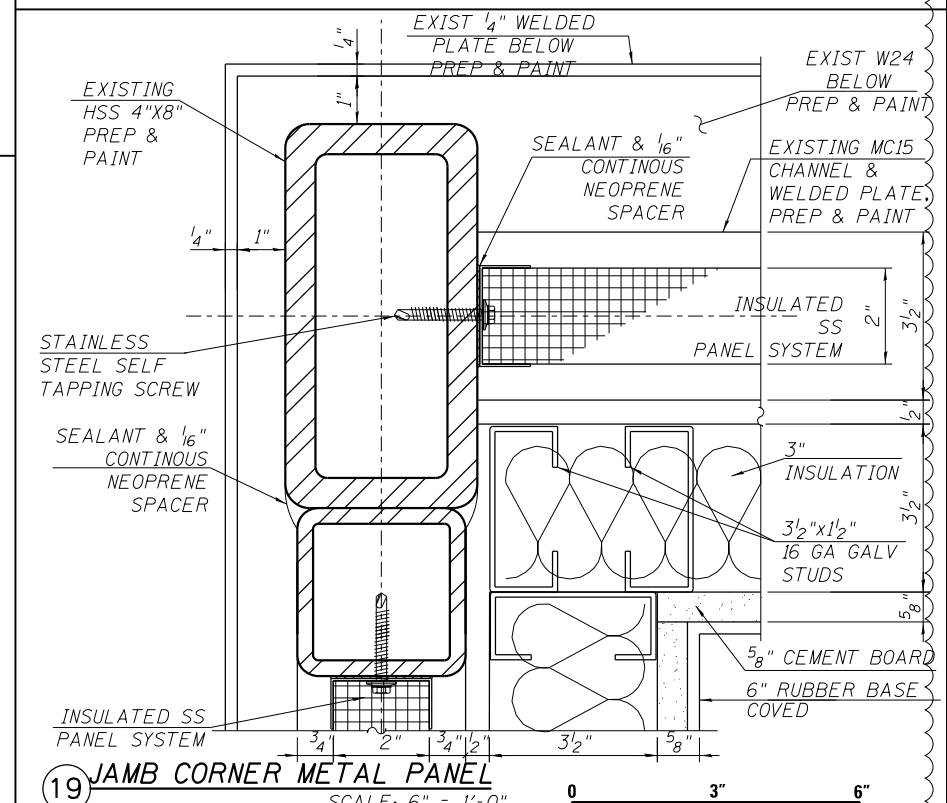
16 SILL METAL PANEL AT WEST ELEVATION
SCALE: 6" = 1'-0"



20 JAMB DOOR @ GLAZED
SCALE: 6" = 1'-0"



18 JAMB AT DOOR AND DRYWALL
SCALE: 6" = 1'-0"



19 JAMB CORNER METAL PANEL
SCALE: 6" = 1'-0"

4/3/2014 PM 0161708-60W29-A-602.dgn



USER NAME = whbruce	DESIGNED - WHB	REVISED - 1/20/2014
PLOT SCALE = 4:0 in/in	CHECKED - CRR	REVISED -
PLOT DATE = 1/20/2014	DRAWN - WHB	REVISED -
	CHECKED - CRR	REVISED -

STATE OF ILLINOIS
DEPARTMENT OF TRANSPORTATION

PEORIA STREET STATION
STATION DETAILS

SHEET NO. A-602 OF 117 SHEETS

MUN 2090	SECTION 2013-011R	COUNTY COOK	TOTAL SHEETS 356	SHEET NO. 249
CONTRACT NO. 60W29			ILLINOIS FED. AID PROJECT FED. AID PROJECT	