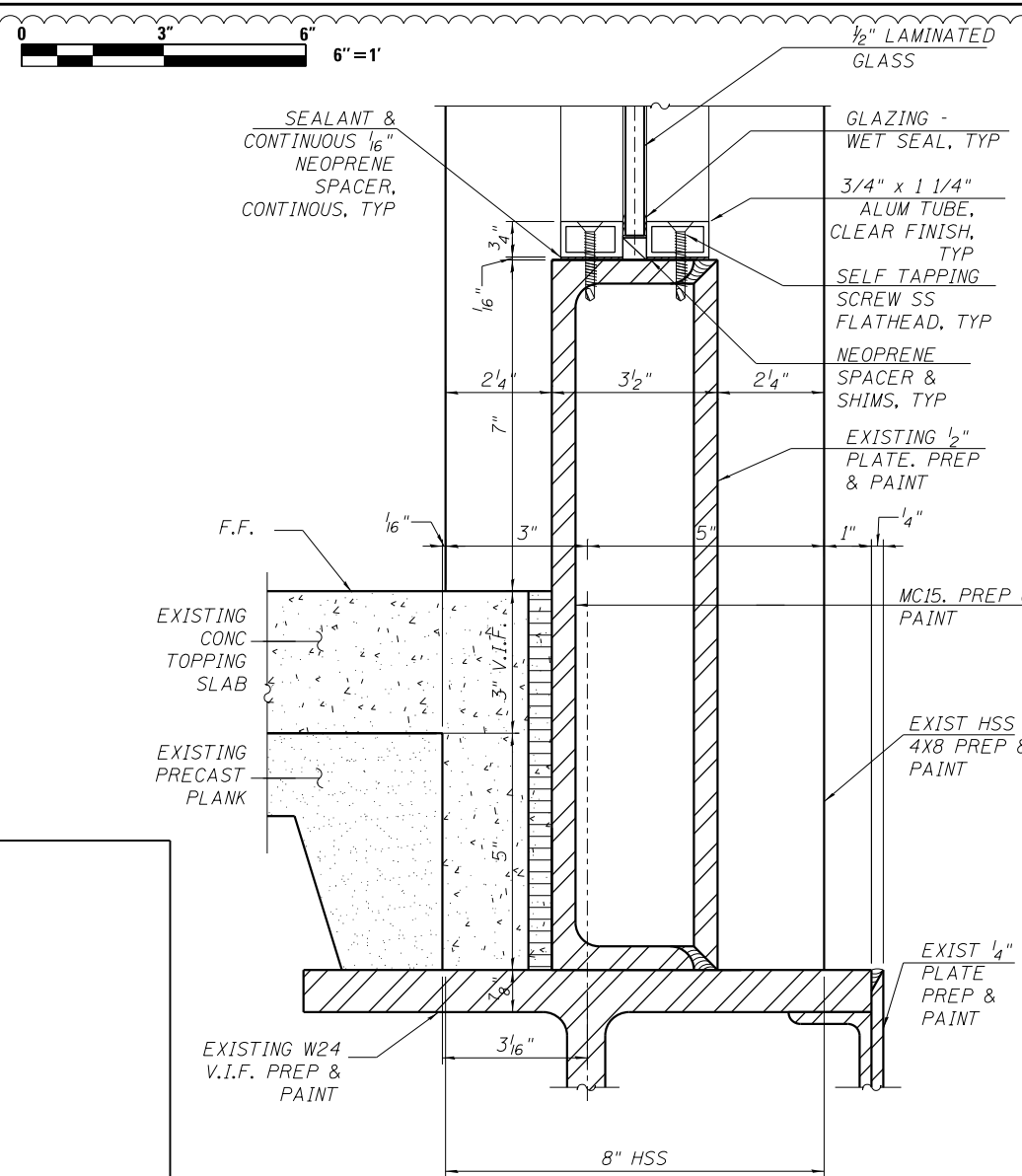
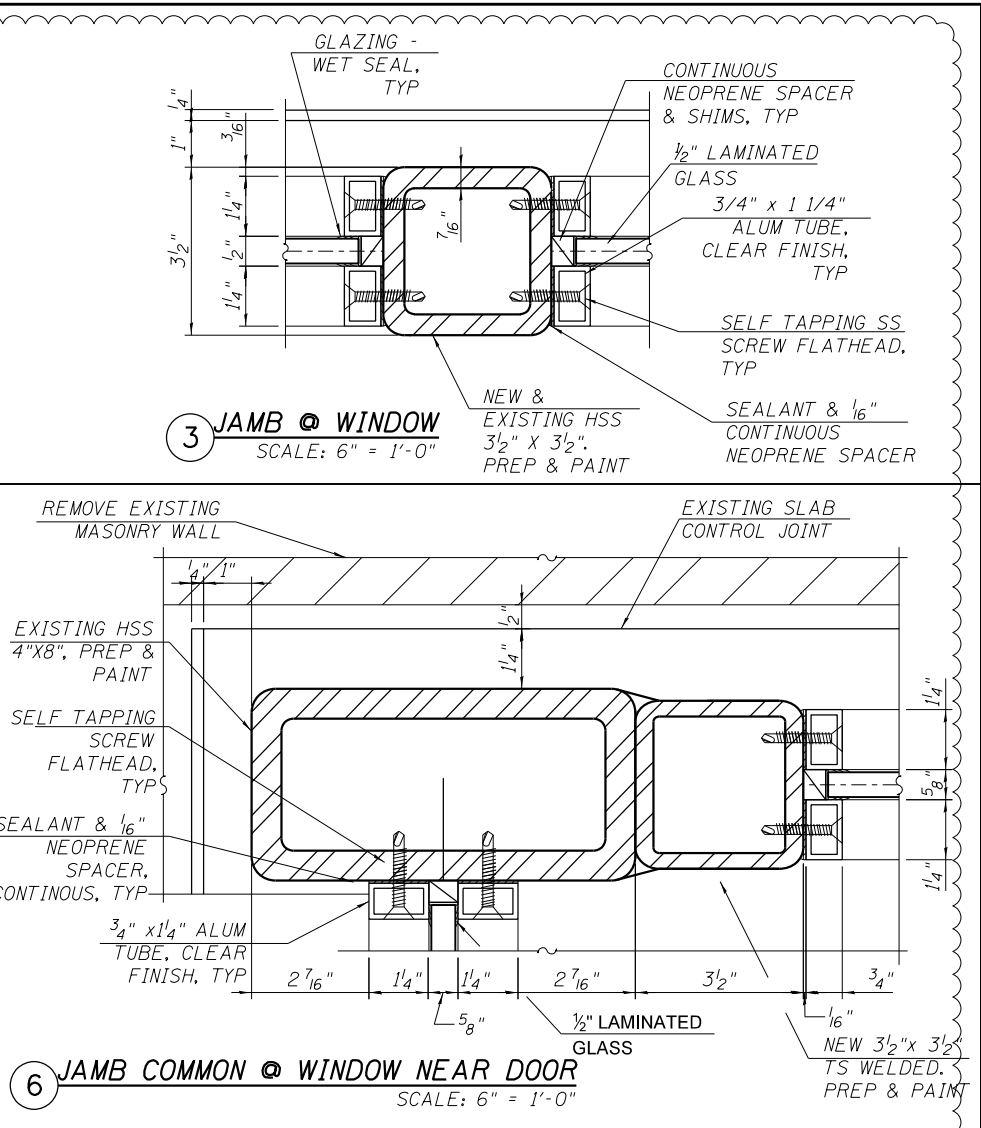


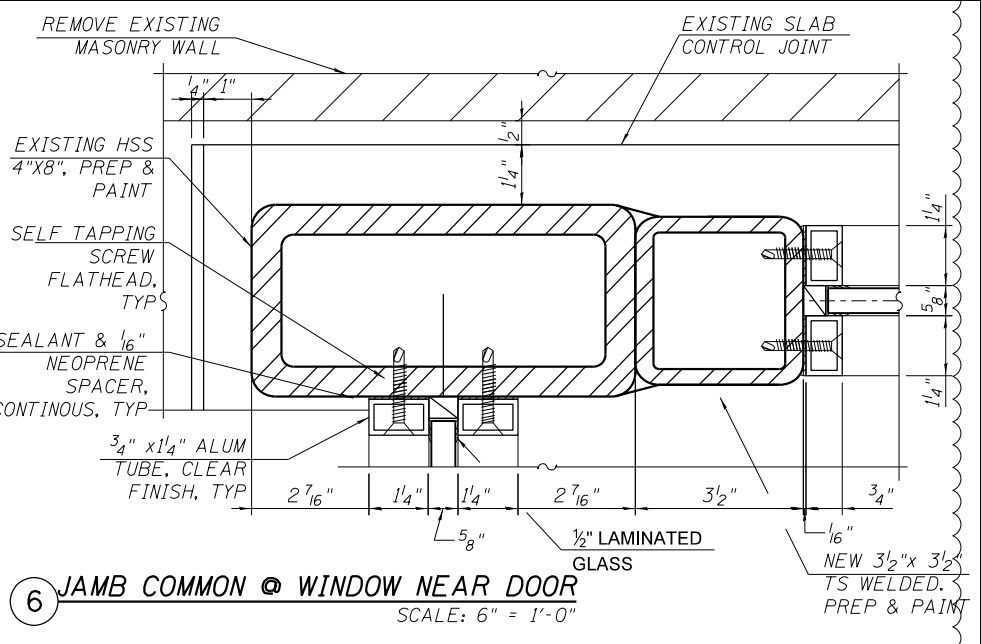
1 JAMB - WINDOW
SCALE: 6" = 1'-0"



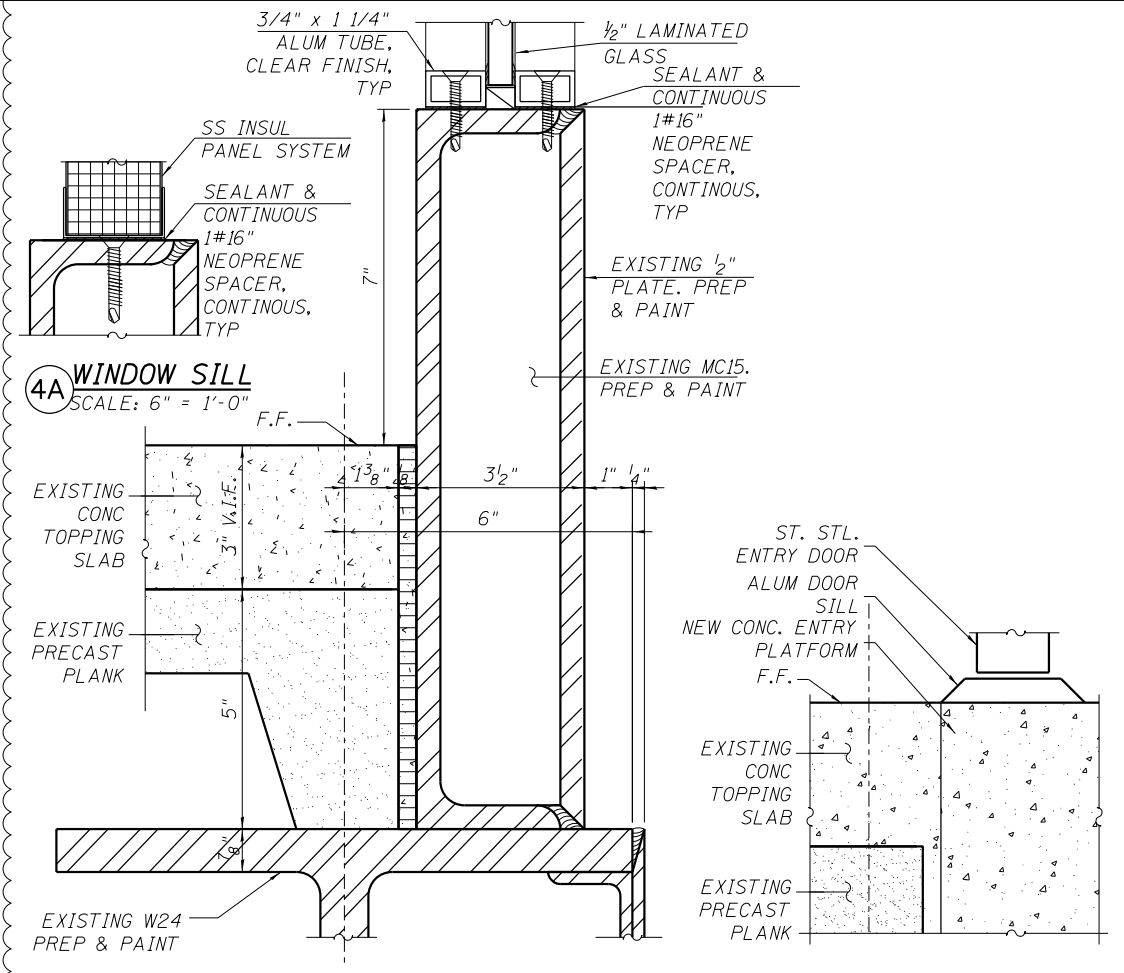
2 WINDOW SILL AT NORTH/SOUTH WALLS
SCALE: 6" = 1'-0"



3 JAMB @ WINDOW
SCALE: 6" = 1'-0"

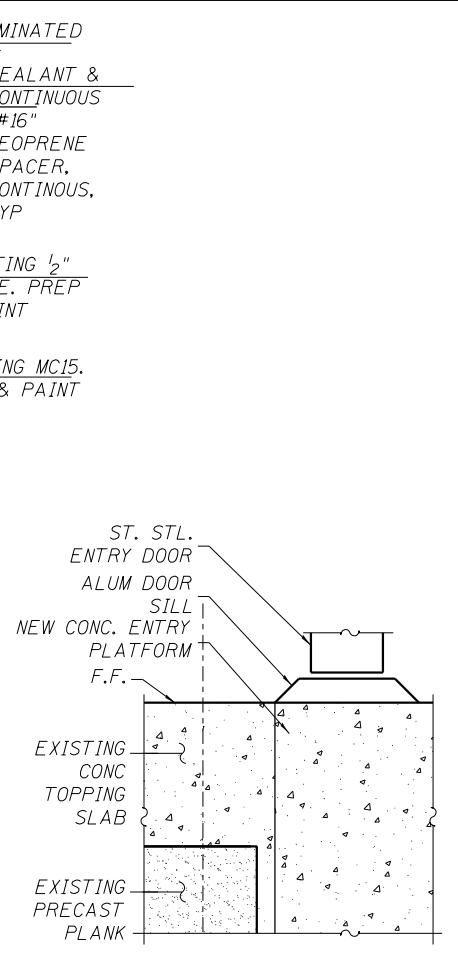


6 JAMB COMMON @ WINDOW NEAR DOOR
SCALE: 6" = 1'-0"

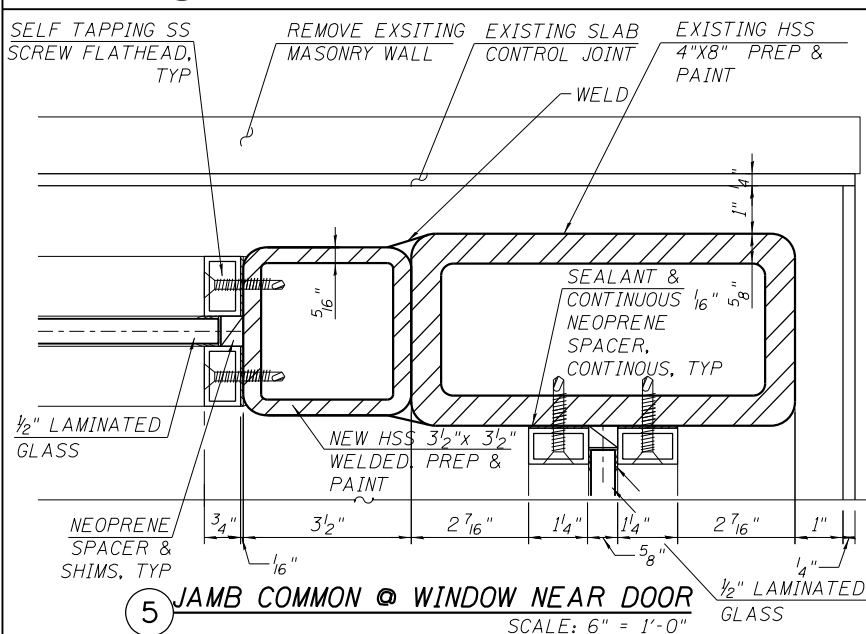


4A WINDOW SILL
SCALE: 6" = 1'-0"

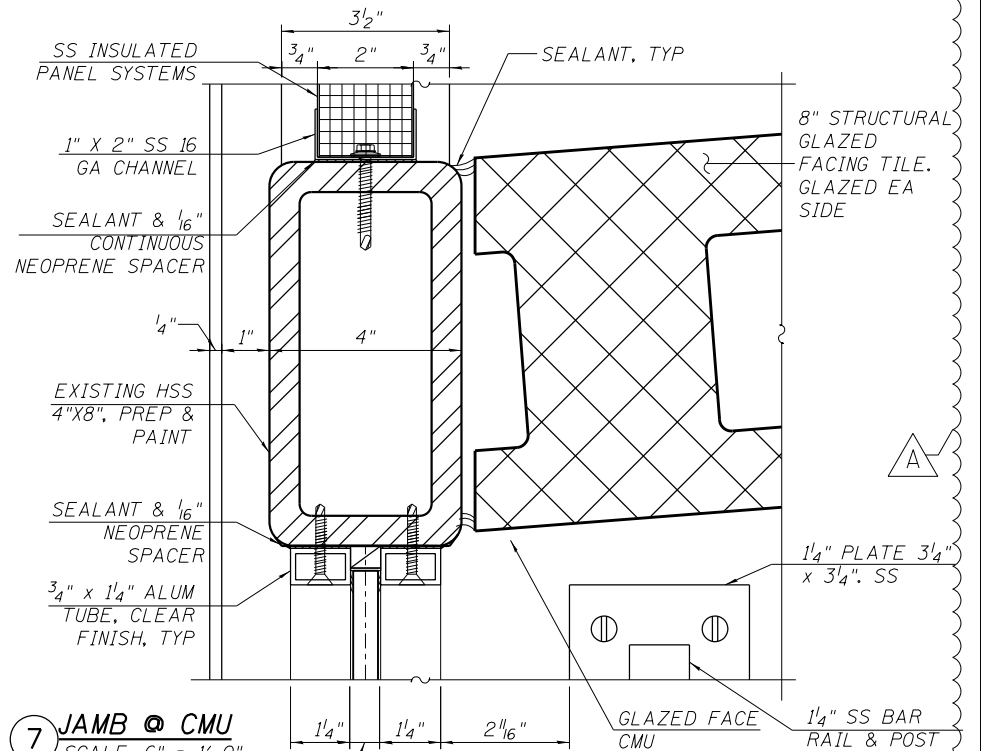
4 WINDOW SILL AT WEST WALL
SCALE: 6" = 1'-0"



4B DOOR SILL AT EAST WALL
SCALE: 6" = 1'-0"



5 JAMB COMMON @ WINDOW NEAR DOOR
SCALE: 6" = 1'-0"



7 JAMB @ CMU
SCALE: 6" = 1'-0"

4:32:29 PM 01/17/08-60W29-A-600.dgn



USER NAME = whbruce	DESIGNED - WHB	REVISED - 1/20/2014
CHECKED - CRR	REVISIONS	
PLOT SCALE = 4:0 in" / in.	DRAWN - WHB	REVISIONS
PLOT DATE = 1/20/2014	CHECKED - CRR	REVISIONS

STATE OF ILLINOIS
DEPARTMENT OF TRANSPORTATION

PEORIA STREET STATION
STATION DETAILS

MUN 2090	SECTION 2013-011R	COUNTY COOK	TOTAL SHEETS 356	SHEET NO. 247
CONTRACT NO. 60W29				ILLINOIS FED. AID PROJECT FED. AID PROJECT

SHEET NO. A-600 OF 117 SHEETS