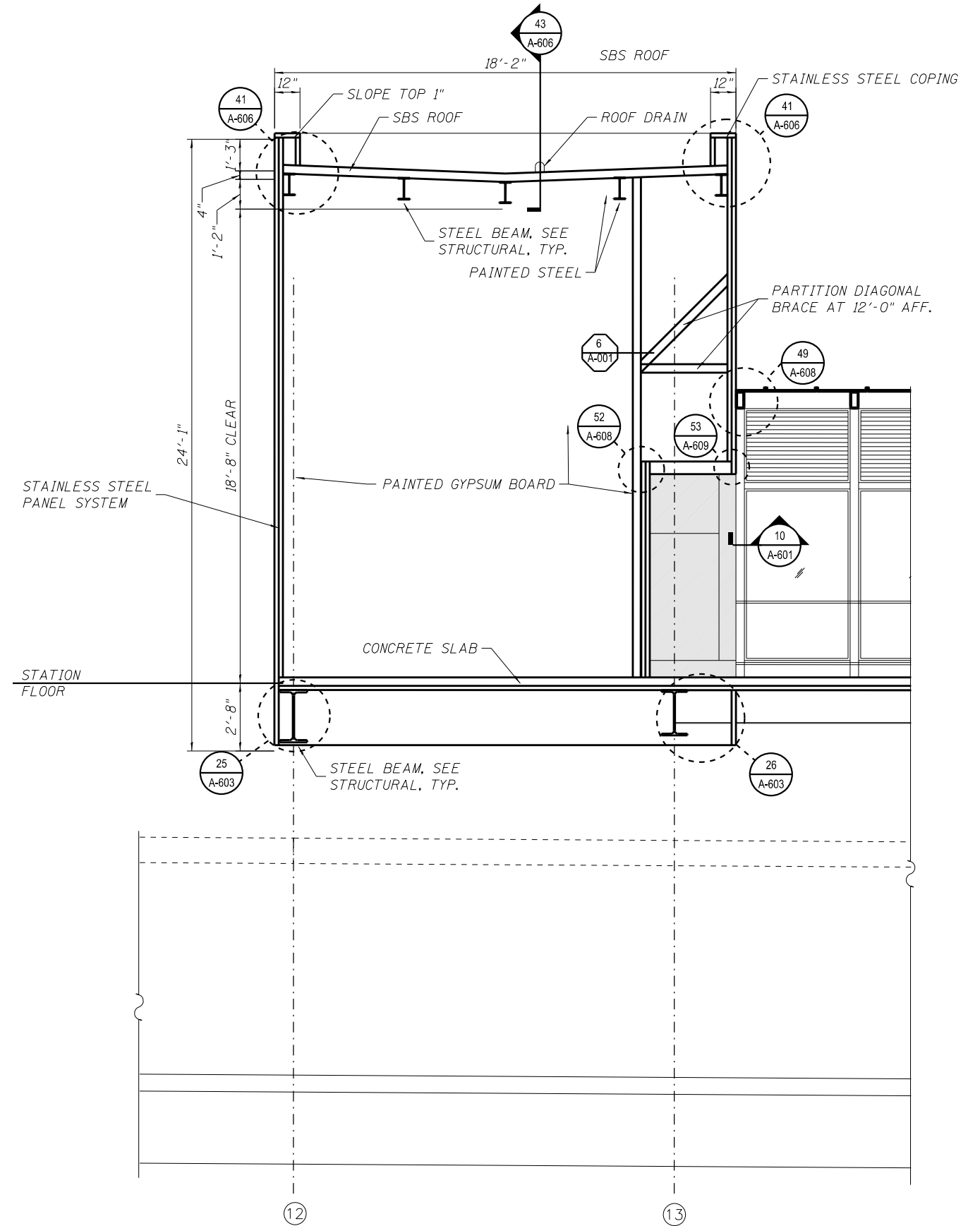


1 MACHINE ROOM SECTION LOOKING SOUTH - BEYOND ELEVATOR HOISTWAY  
SCALE: 3/8" = 1'-0"



2 MACHINE ROOM SECTION LOOKING NORTH  
SCALE: 3/8" = 1'-0"



4:32:21 PM 0161708-60W29-A-505.dgn



USER NAME = whbruce	DESIGNED - WHB	REVISED - 1/20/2014
CHECKED - CRR	REVISIONS	
PLOT SCALE = 64:0.0007 in/in / in.	DRAWN - WHB	REVISIONS
PLOT DATE = 1/20/2014	CHECKED - CRR	REVISIONS

STATE OF ILLINOIS  
DEPARTMENT OF TRANSPORTATION

PEORIA STREET STATION  
ELEVATOR AND MACHINE ROOM SECTIONS

SHEET NO. A-505 OF 117 SHEETS

MUN	SECTION	COUNTY	TOTAL SHEETS	SHEET NO.
2090	2013-011R	COOK	356	245B
CONTRACT NO. 60W29				
ILLINOIS FED. AID PROJECT FED. AID PROJECT				