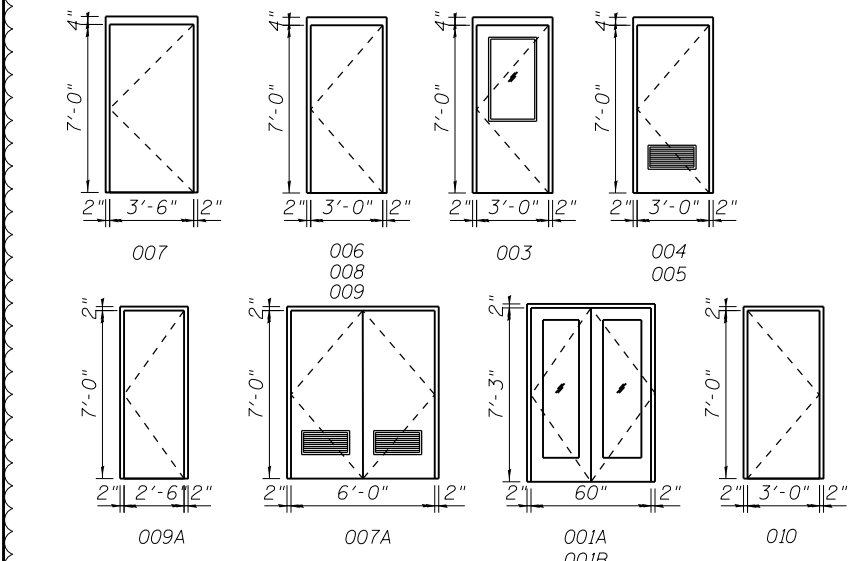
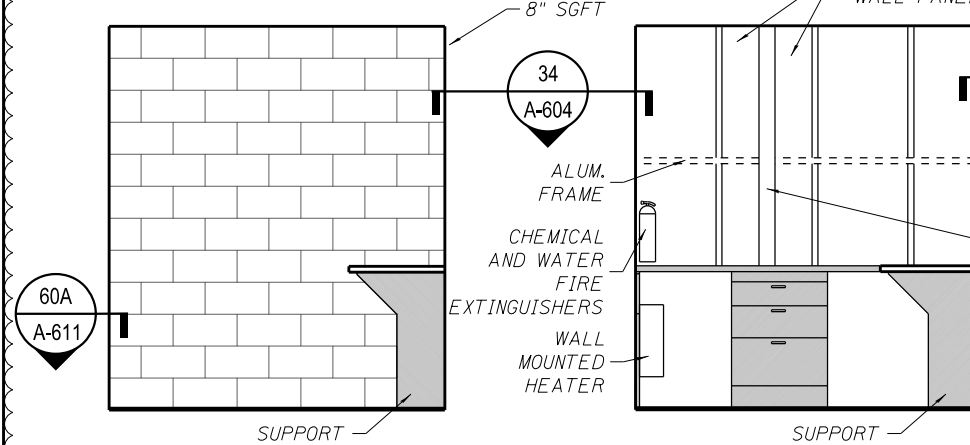


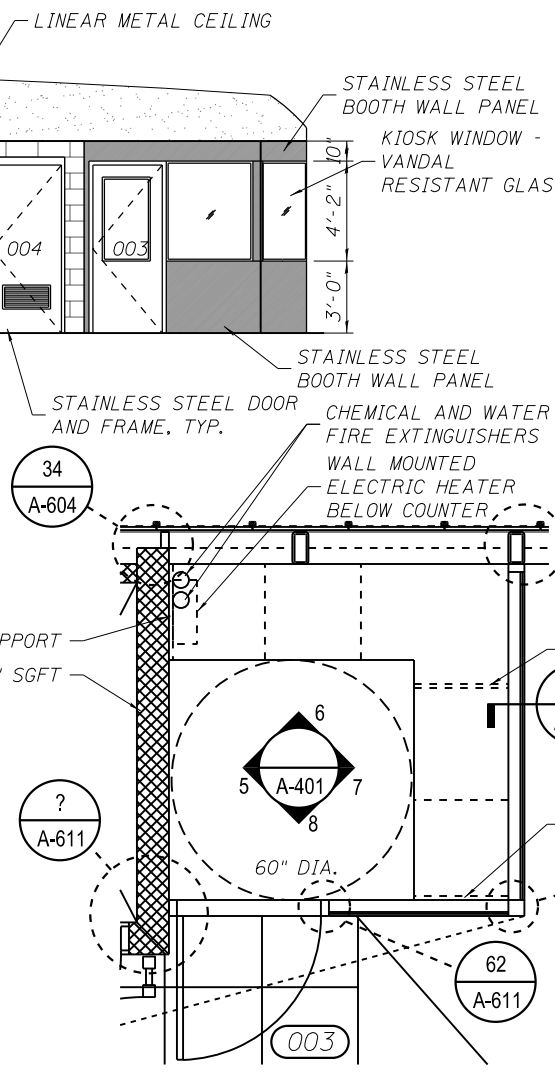
1 INTERIOR ELEVATION
SCALE: 1/4" = 1'-0"



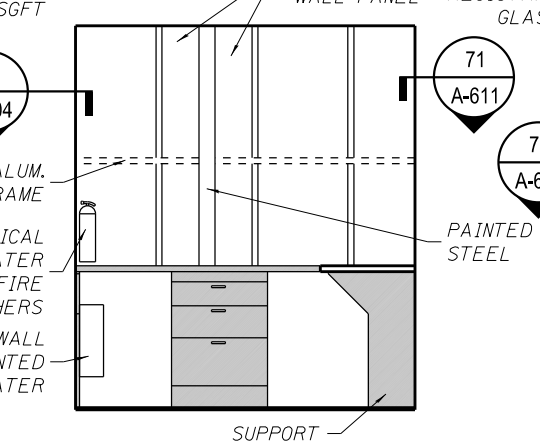
3 DOOR AND FRAME TYPES
SCALE: 1/4" = 1'-0"



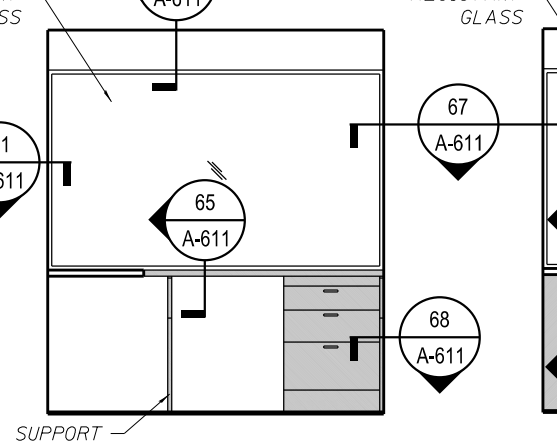
5 AGENT KIOSK WEST ELEVATION
SCALE: 1/2" = 1'-0"



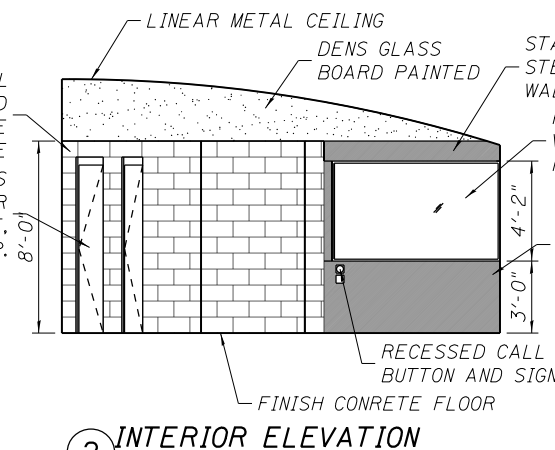
4 AGENT KIOSK ENLARGED PLAN
SCALE: 1/2" = 1'-0"



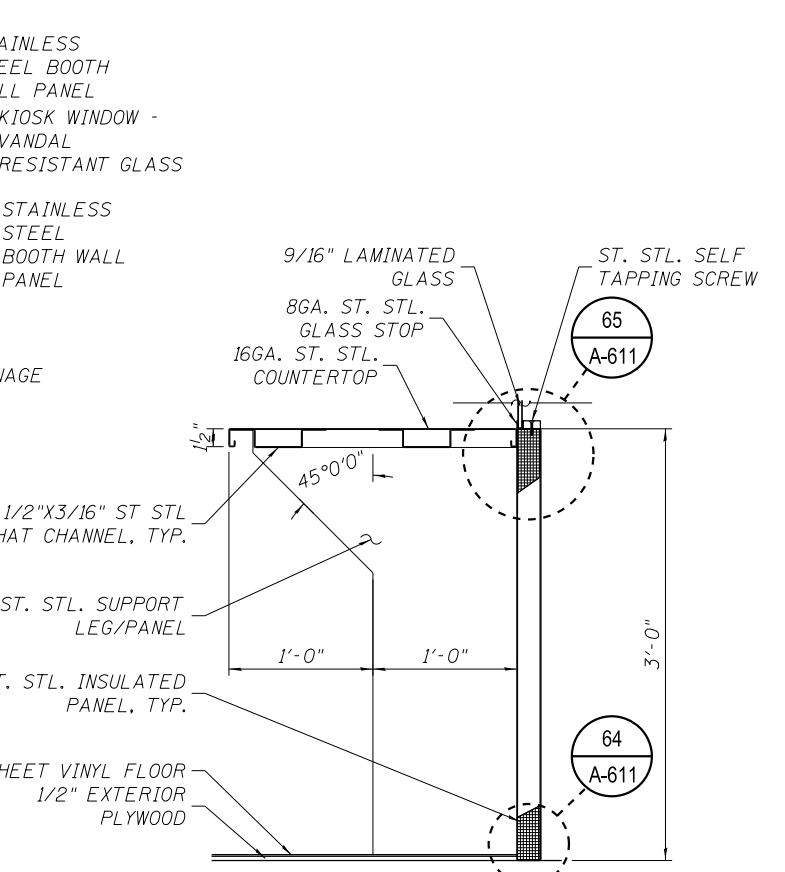
6 AGENT KIOSK NORTH ELEVATION
SCALE: 1/2" = 1'-0"



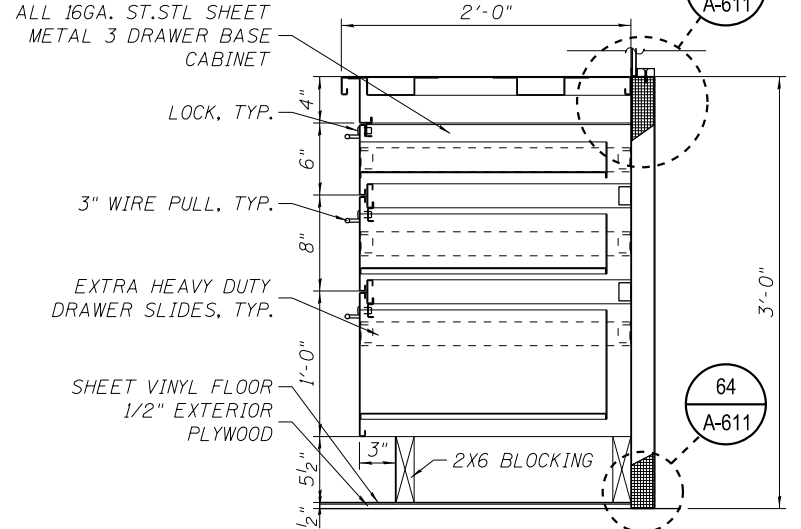
7 AGENT KIOSK EAST ELEVATION
SCALE: 1/2" = 1'-0"



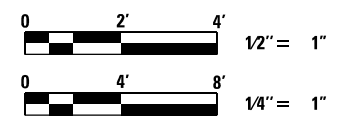
2 INTERIOR ELEVATION
SCALE: 1/4" = 1'-0"



10 SECTION AT COUNTER
SCALE: 1 1/2" = 1'-0"



9 SECTION AT DRAWER
SCALE: 1 1/2" = 1'-0"



4:32:02 PM 0161705-60W29-A-401.dgn



USER NAME = whbruce	DESIGNED - WHB	REVISED - 1/20/2014
PLT SCALE = 96:0.0002 in/in	CHECKED - CRR	REVISED -
PLT DATE = 1/20/2014	DRAWN - WHB	REVISED -
	CHECKED - CRR	REVISED -

STATE OF ILLINOIS
DEPARTMENT OF TRANSPORTATION

PEORIA STREET STATION
STATION INTERIOR ELEVATIONS

SHEET NO. A-401 OF 117 SHEETS

MUN 2090	SECTION 2013-011R	COUNTY COOK	TOTAL SHEETS 356	SHEET NO. 241
CONTRACT NO. 60W29			ILLINOIS FED. AID PROJECT FED. AID PROJECT	