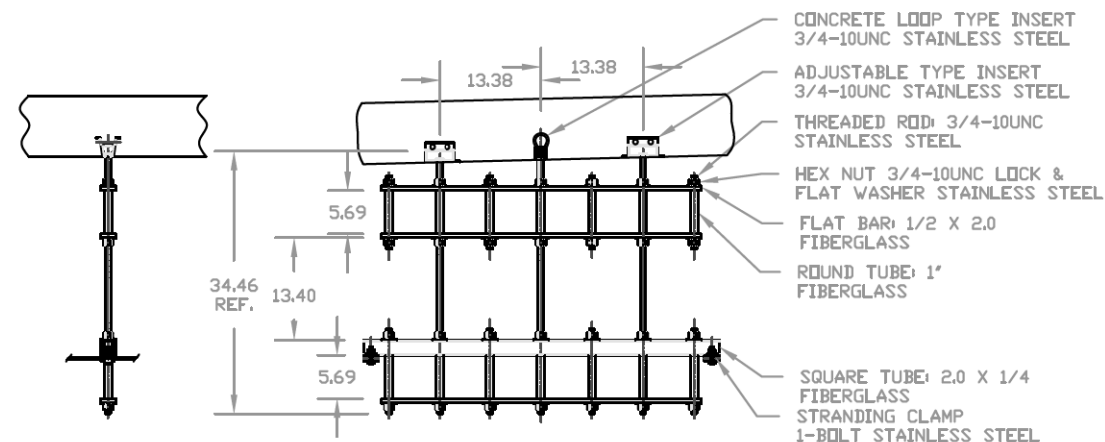
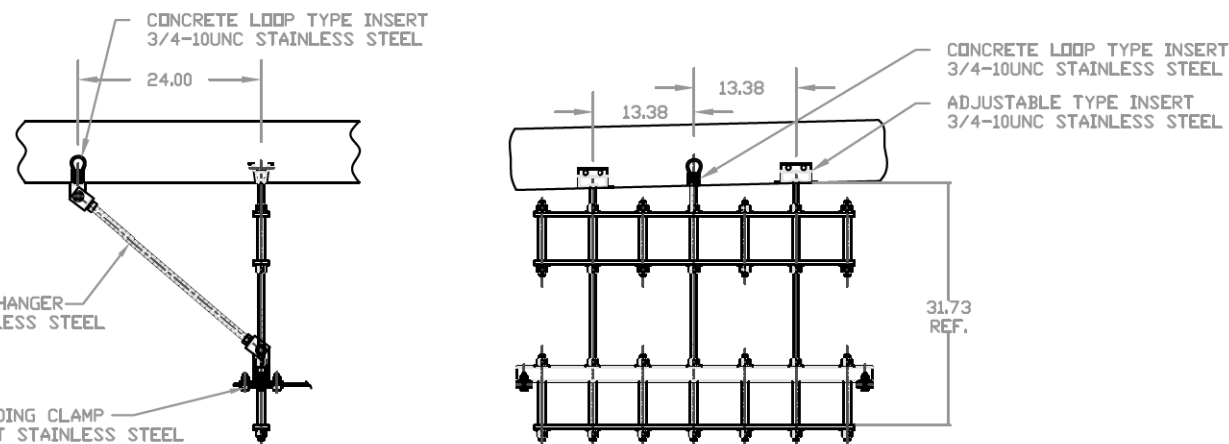


This drawing is the property of Condux International, Inc. and the information thereon is to be treated as confidential. It is not to be used, copied or disclosed to outside parties without our written consent.

REVISIONS				
ZONE	REV	DESCRIPTION	DATE	APPROVED
	1.0	ADDENDUM A	12-18-2013	BRIAN BB



STANDARD SUPPORT HANGER WITH STRANDING CLAMPS



ABUTMENT SUPPORT HANGER WITH STRANDING CLAMPS AND BRACING

CURRENT BILL OF MATERIAL

ITEM NO.	PART NO.	DESCRIPTION	QTY	UNIT
1	TBA	STANDARD CONDUIT SUPPORT HANGER: 2 HIGH X 6 WIDE FIBERGLASS AND STAINLESS STEEL, OPENING FOR EIGHT 5" FGL DUCTS THREADED RODS THREE @ 3/4-10UNC X 38.00 LONG	26	EA.
2	08610236	HANGER BRACE ADJUSTABLE: 36 INCH STAINLESS STEEL	6	EA.
3	08409990	CONCRETE INSERT: 3/4-10 LOOP TYPE, STAINLESS STEEL	32	EA.
4	08558300	CONCRETE INSERT SETTING PLUG: 3/4-10	32	EA.
5	08409929	CONCRETE INSERT ADJUSTABLE: 3/4-10 STAINLESS STEEL	52	EA.
6	08408950	STRANDING WIRE: 1/4 X 500 FT., STAINLESS STEEL	2	EA.
7	08409404	GUY STRAND CLAMP: 3-BOLT, STAINLESS STEEL	6	EA.
8	08409504	GUY STRAND CLAMP: 1-BOLT, STAINLESS STEEL	46	EA.
9	08460053	CONDUIT FIBERGLASS: 5" IPS, MW (.57 I.D. X .096 WALL) MEETING NEMA TC-14A	2240	FT.
10	08460153	CONDUIT STOP COUPLING: 5" IPS MW	10	EA.
11	08460453	CONDUIT EXPANSION JOINT (D-RING TYPE): 5" IPS MW	16	EA.
12	08460953	CONDUIT SPLIT STOP RING: 5" IPS MW	16	EA.
13	08461553	CONDUIT ADAPTER: 5" IPS MW TO 5" GRC	16	EA.
14	08463402	CONDUIT EPOXY ADHESIVE CARTRIDGE	25	EA.
15	02288990	CONDUIT EPOXY ADHESIVE GUN	1	EA.

FOR INFORMATION ONLY
WORK TO BE PERFORMED BY OTHERS
WITH THE EXCEPTION OF PLACEMENT
OF INSERTS INTO SUPERSTRUCTURE

- General Construction, Hanger and Conduit Notes**
- 1.0 Recommended spacing between Support is 10 foot.
 - 2.0 Support Hanger Material shall be manufactured using 316 stainless steel and fiberglass components.
 - 3.0 Conduit is 5 inch Fiberglass with minimum wall thickness of .096 inch meeting NEMA TC- 14A Specs.
 - 4.0 Conduit joints shall be positive locking adhesive bonded bell and spigot.
 - 5.0 Conduit expansion joints shall be sliding sleeve with provision for 8 inch of travel.
 - 6.0 Bridge abutments must have a block out or be sleeved to allow the fiberglass conduit to pass through. After conduit is placed through abutment seal up opening with state approved sealant.
 - 7.0 Place concrete inserts for future support system. Hangers will be installed at a later date.
 - 8.0 Conduit support hangers weight 2525 LBS total
Fiberglass conduit weight 2807 LBS total
cable weight weight 18,942 LBS total
- Grand total being placed on the bridge is 24,274 LBS.

Condux International, Inc. Support hanger meet the following specifications

Fiberglass Items
Flat Bar: 1/2 x 2.0
Round Tube: 1.0" O.D., .105 wall
Square Tube: 2 x 2 x 1/4
Fiberglass reinforced with polyester resin with surface veil for better weathering, resin shall contain u.v. inhibitor. Fiberglass is made with continuous strand mat and uni-directional roving, gray in color

Tensile Strength (ASTM D 638) 30,000 PSI
Tensile Modulus (ASTM D 638) 2.3E6 PSI
Flexural Strength (ASTM D 790) 30,000 PSI
Flexural Modulus (ASTM D 790) 2.3E6 PSI
Compressive Strength (ASTM D 695) 20,000 PSI
Compressive Modulus 1.4E6 PSI
Yield shear strength 2000 PSI
Barcol hardness 50
Dielectric strength (ASTM D 149) 200 VPM Min.

Stainless steel Hardware Items
Threaded Rod
Threaded rod nuts (ASTM/ASME B1.1) (ASTM A307 Grade A) (Tensile Strength 60,000 PSI)
Hexnut
Hexnut meets (ANSI/ASME B18.2.2) Material: 316 Stainless steel (ASTM F594)
Flatwasher
Flatwasher meets (ANSI/ASME B18.21.1) Material: 316 stainless steel (ASTM F436)
Lockwasher
Lockwasher meets (ANSI/ASME B18.21.1) Material: 316 Stainless steel (ASTM F436)

Stranding Items
Stranding Clamps (1-Bolt & 3-Bolt)
Material: 1/4 x 1.5 (316 Stainless Steel)
Stranding Wire
Cable: 1/4" Dia (7 X 19 Steel Aircraft)
304 Stainless Steel

Bracing
Adjustable hanger attachment brackets
Material: angle 2.5 x 2.5 x .25 (316 Stainless steel)

NOTE
NO PART OF THE CONDUIT SUPPORT HANGER
CAN EXTEND BELOW THE BRIDGE DECK
GIRDER
EXTENDED RODS MAY NEED TO BE ALTERED

DRAWING APPROVAL
I _____
APPROVE THIS DRAWING FOR MANUFACTURING
DATE: _____
Note:
ALL MEASUREMENTS ARE IN INCHES UNLESS
NOTED OTHERWISE

CONDUIT SUPPORT HANGER DETAIL AND BILL OF MATERIALS		CONDUX INTERNATIONAL, INC. MANKATO MN PH. 800-533-2077		
WEIGHT: 0.0 LBS EA		Project: ComEd Peoria Street Bridge over F.A.I. 290 Eisenhower Expressway, Cook County Illinois		
QUOTE NO. 3985214497	SCALE 1/2	DATE: 10-03-2013	TBA	REV 1.0
		SHEET 51 OF 55		
		SHEET 183 OF 356		