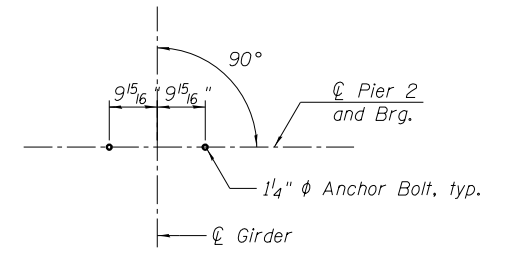
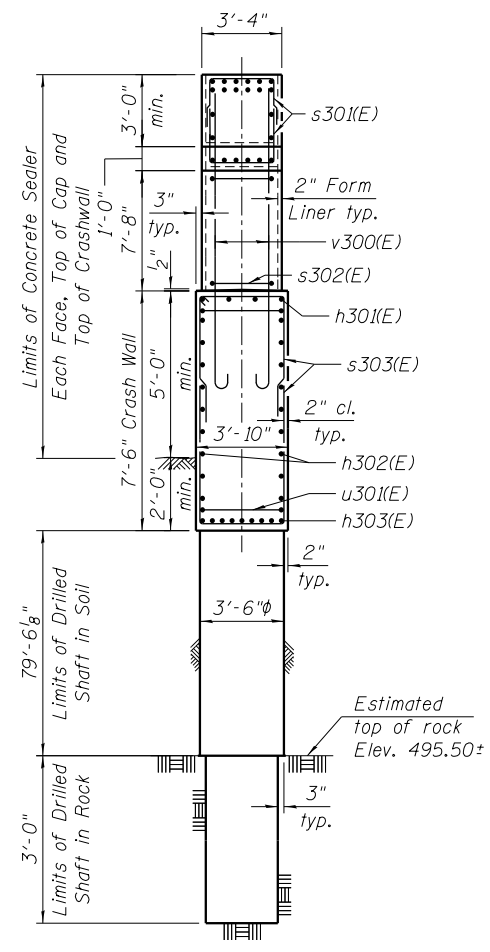


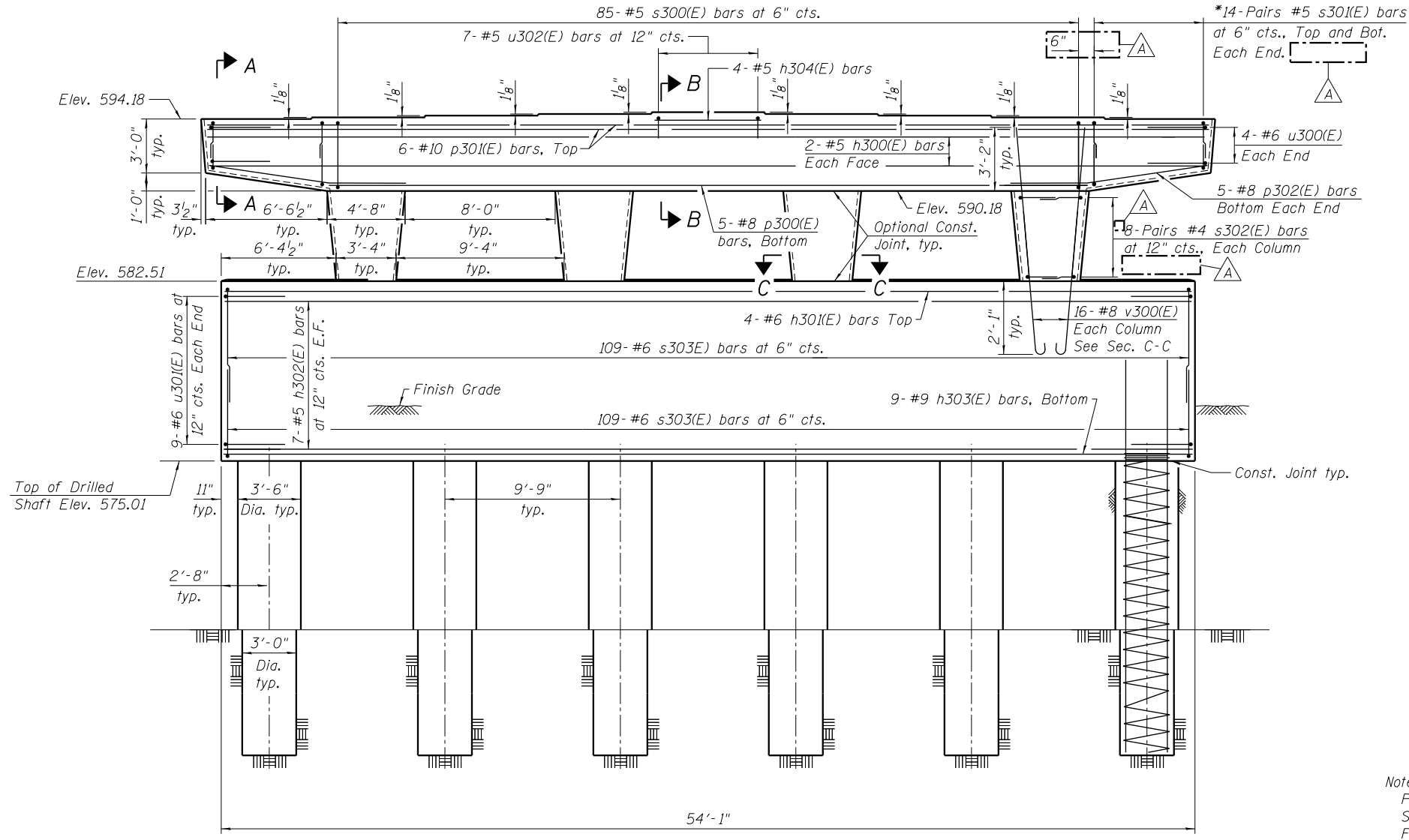
TOP PLAN



ANCHOR BOLT LAYOUT



END VIEW



ELEVATION
(Looking North)

*Cut vertical legs of bar to fit. Min lap is 2'-7" for #5 bars.

TOP OF SEAT ELEVATION

Girder No.	Seat Elevation
1	594.18
2	594.27
3	594.37
4	594.46
5	594.56
6	594.46
7	594.37
8	594.27
9	594.18

Notes:
 Pour steps monolithically with cap.
 Space reinforcement in cap to miss anchor bolts.
 For Sections A-A, B-B and C-C, Drilled Shaft
 Details and Bill of Material, see sheet 48 of 55.

5:52:44 PM 0161708-60W29-5047-Pier2_P&E.dgn



USER NAME = kahastings	DESIGNED JRM	REVISED A 12/18/2013 JRM/KAH
PLOT SCALE = 8x0.0009 ' / in.	CHECKED KAH	REVISED
PLOT DATE = 1/10/2014	DRAWN RLS	REVISED
	CHECKED KAH	REVISED

STATE OF ILLINOIS
DEPARTMENT OF TRANSPORTATION

PIER 2 PLAN AND ELEVATION
STRUCTURE NO. 016-1708

SHEET NO. 47 OF 55 SHEETS

MUN 2090	SECTION 2013-011R	COUNTY COOK	TOTAL SHEETS 356	SHEET NO. 179
CONTRACT NO. 60W29			ILLINOIS FED. AID PROJECT	