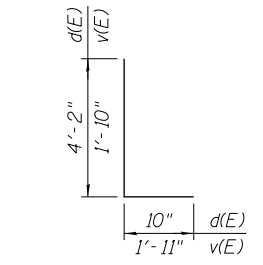
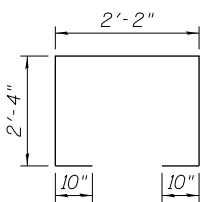
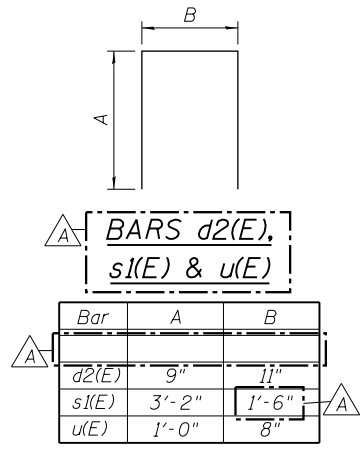


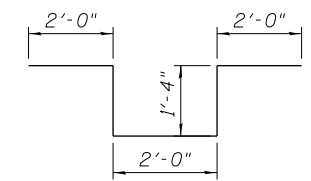
SECTION THROUGH WEST PARAPET
(Looking Up-Station, East Parapet similar, opposite hand)



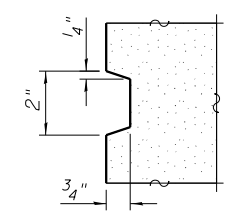
BAR d(E) and v(E)



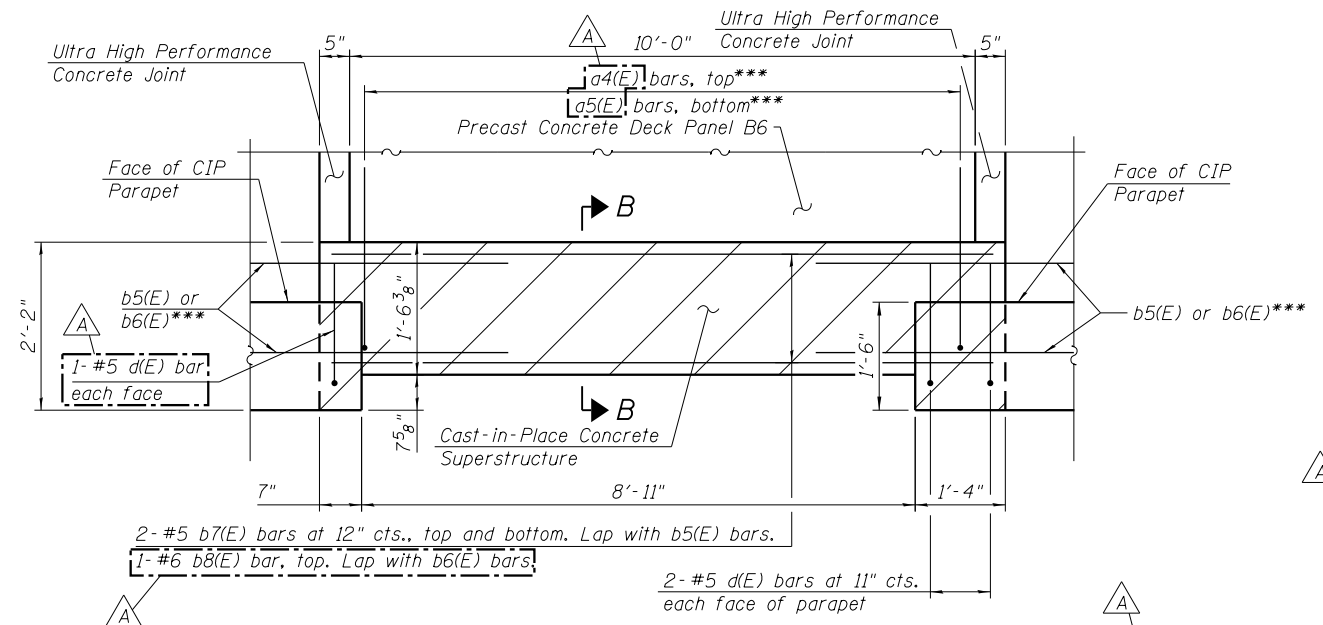
BAR s(E)



BARS d3(E)

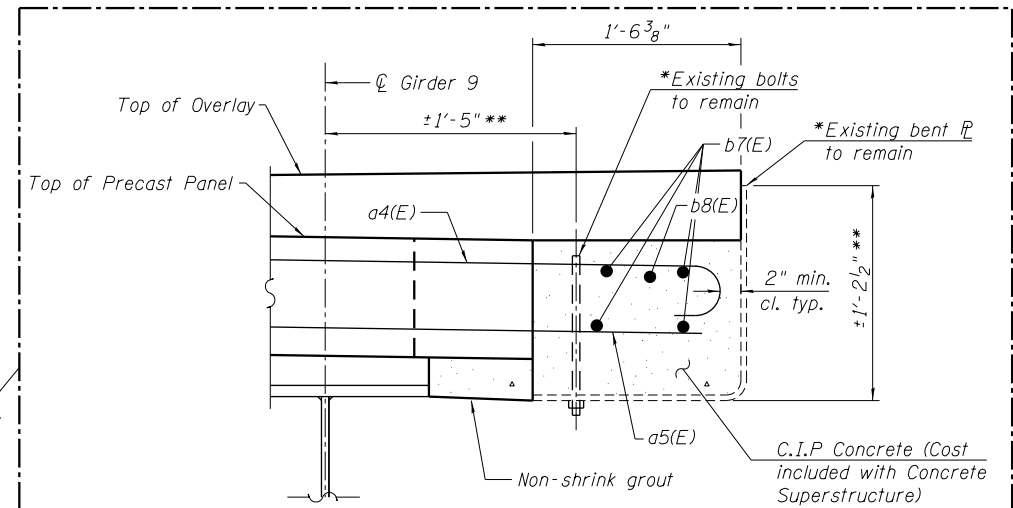


REVEAL DETAIL



DETAIL E
(At CTA Stairway)

*** Cost included with Precast Concrete Deck Panels. See sheet 20 of 55 for Bill of Material.



SECTION B-B

* See CTA Building Plans for additional details.
** The Contractor shall field verify existing dimensions and details affecting new construction and make necessary approved adjustments prior to construction or ordering of materials.

BILL OF MATERIAL

| Bar | No. | Size | Length | Shape |
|--------|-----|------|---------|-------|
| b7(E) | 4 | #5 | 10'-6" | |
| b8(E) | 1 | #6 | 10'-6" | |
| d(E) | 6 | #5 | 5'-0" | |
| d2(E) | 180 | #4 | 2'-5" | |
| d3(E) | 48 | #6 | 8'-8" | |
| d5(E) | 52 | #6 | 1'-6" | |
| e(E) | 20 | #4 | 16'-11" | |
| e1(E) | 140 | #4 | 19'-8" | |
| e2(E) | 40 | #4 | 9'-8" | |
| e3(E) | 20 | #4 | 8'-10" | |
| e4(E) | 10 | #4 | 8'-7" | |
| e5(E) | 10 | #4 | 14'-6" | |
| e6(E) | 10 | #4 | 9'-2" | |
| e7(E) | 20 | #4 | 13'-0" | |
| e8(E) | 10 | #4 | 8'-8" | |
| e9(E) | 20 | #4 | 17'-8" | |
| e10(E) | 10 | #4 | 8'-3" | |
| e11(E) | 10 | #4 | 8'-6" | |
| h(E) | 28 | #5 | 5'-11" | |
| h1(E) | 24 | #5 | 2'-3" | |
| h2(E) | 12 | #5 | 4'-5" | |
| h3(E) | 8 | #5 | 2'-10" | |
| m(E) | 16 | #6 | 56'-0" | |
| m1(E) | 28 | #6 | 10'-2" | |
| m2(E) | 8 | #6 | 7'-11" | |
| m3(E) | 64 | #6 | 5'-11" | |
| m4(E) | 16 | #6 | 2'-8" | |
| s(E) | 112 | #5 | 8'-6" | |
| s1(E) | 128 | #5 | 7'-10" | |
| u(E) | 114 | #5 | 2'-8" | |
| v(E) | 51 | #5 | 3'-9" | |
| v1(E) | 48 | #5 | 2'-0" | |

| | | |
|----------------------------------|---------|-------|
| Concrete Superstructure | Cu. Yd. | 144.1 |
| Protective Coat | Sq. Yd. | 299 |
| Reinforcement Bars, Epoxy Coated | Pound | 9,830 |
| Rubbed Finish | Sq. Ft. | 1,945 |

MIN. BAR LAP
#5 bar = 3'-3"
#6 bar = 3'-10"

Note:
See sheet 35 of 55 for additional CTA Stairway connection details.

4:38:10 PM 0161708-60W29-5023-SuperStruct-Detail2.dgn



| | | |
|--------------------------------|--------------|------------------------------|
| USER NAME = wjcollett1 | DESIGNED WJC | REVISED A 12/18/2013 WJC/JRM |
| PLOT SCALE = 32x0.0000 ' / in. | CHECKED JRM | REVISED |
| PLOT DATE = 1/10/2014 | DRAWN WJC | REVISED |
| | CHECKED JRM | REVISED |

STATE OF ILLINOIS
DEPARTMENT OF TRANSPORTATION

SUPERSTRUCTURE DETAILS 2
STRUCTURE NO. 016-1708

SHEET NO. 23 OF 55 SHEETS

| MUN | SECTION | COUNTY | TOTAL SHEETS | SHEET NO. |
|--------------------|-----------|--------|---------------------------|-----------|
| 2090 | 2013-011R | COOK | 356 | 155 |
| CONTRACT NO. 60W29 | | | ILLINOIS FED. AID PROJECT | |