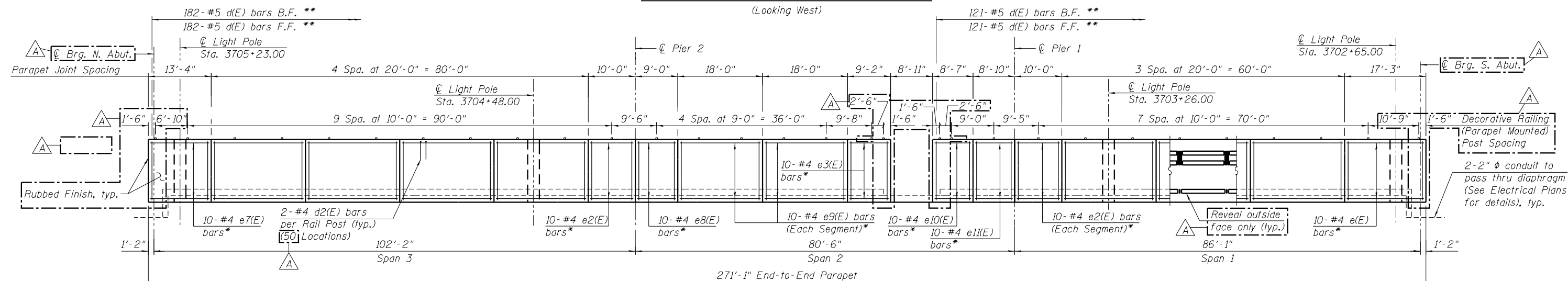


INSIDE ELEVATION OF WEST PARAPET

(Looking West)

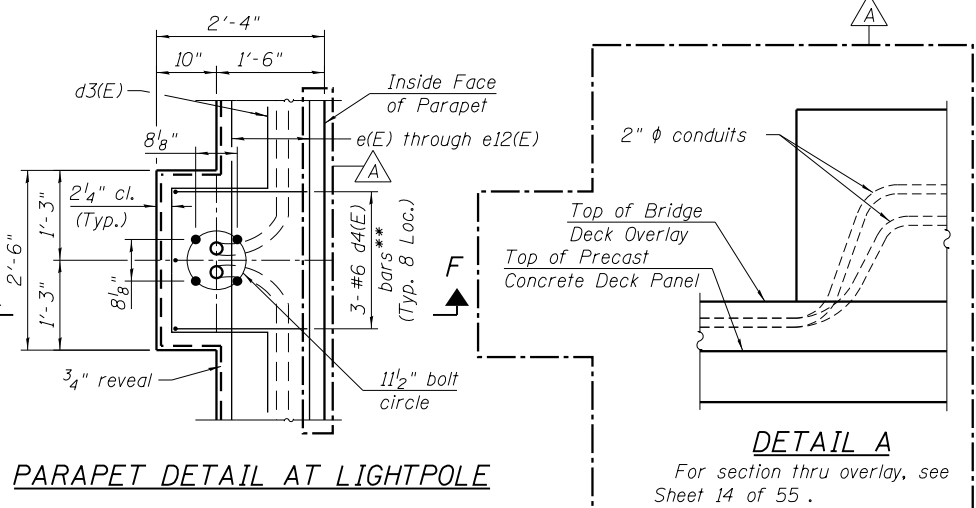
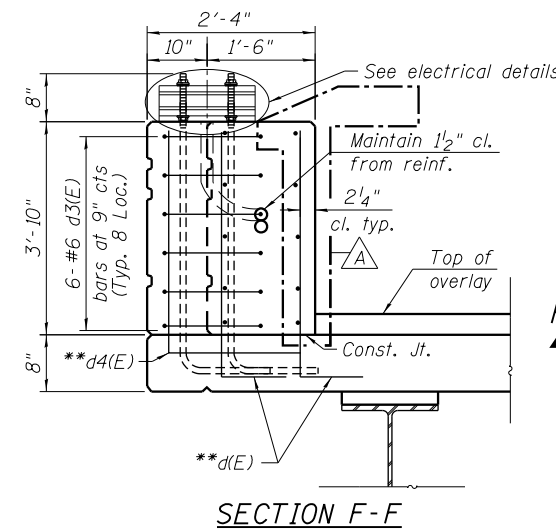
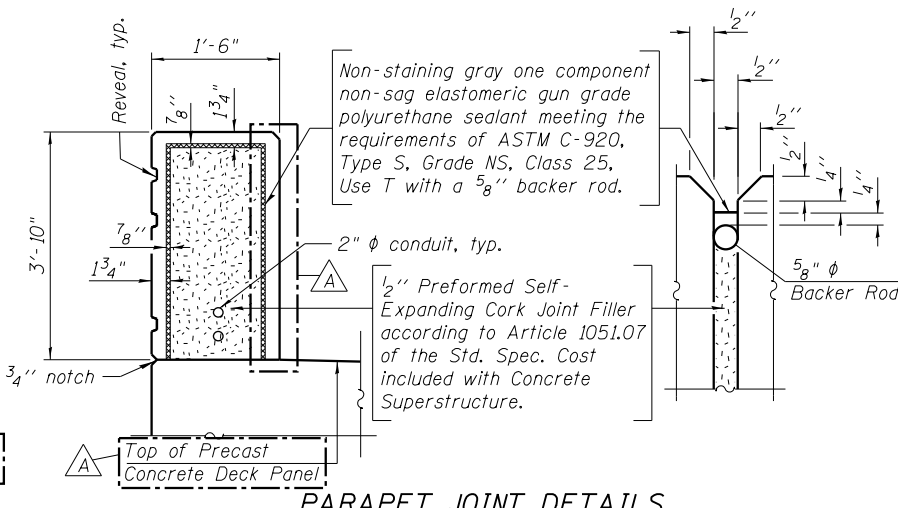


INSIDE ELEVATION OF EAST PARAPET

(Looking East)

- * See Section thru Parapet on Sheet 23 of 55 for spacing.
- ** See Sheets 17 thru 20 of 55 for spacing of d(E) and d4(E) bars. Bars are included with Precast Concrete Deck Panels. See Sheet 20 of 55 for Bill of Material.

Notes:
 For notes, bar diagrams, section through parapet and Bill of Material, see Sheet 23 of 55.
 All edges shall be chamfered 3/4".
 For architectural details on the parapets and Decorative Railing (Parapet Mounted) details, see Sheet 26 of 55.
 For Bridge Fence Railing (Special) layout and post spacing, see Sheet 28 of 55.
 For Bridge Fence Railing (Special) details, see Sheet 29 of 55.
 The cost of reveal is included in cost of Concrete Superstructure.
 Rubbed Finish shall be applied to the inside face and ends of parapet only.



DETAIL A

For section thru overlay, see Sheet 14 of 55.

4/26/18 PM 0161708-60W29-5021-Parapet.dgn



USER NAME = wjcolletti	DESIGNED WJC	REVISED A 12/18/2013 WJC/JRM
PLOT SCALE = 21:4.0000 ' / in.	CHECKED DL	REVISED
PLOT DATE = 1/10/2014	DRAWN SLW	REVISED
	CHECKED JRM	REVISED

**STATE OF ILLINOIS
 DEPARTMENT OF TRANSPORTATION**

**PARAPET ELEVATIONS AND DETAILS
 STRUCTURE NO. 016-1708**

MUN 2090	SECTION 2013-011R	COUNTY COOK	TOTAL SHEETS 356	SHEET NO. 153
CONTRACT NO. 60W29			ILLINOIS FED. AID PROJECT	

SHEET NO. 21 OF 55 SHEETS