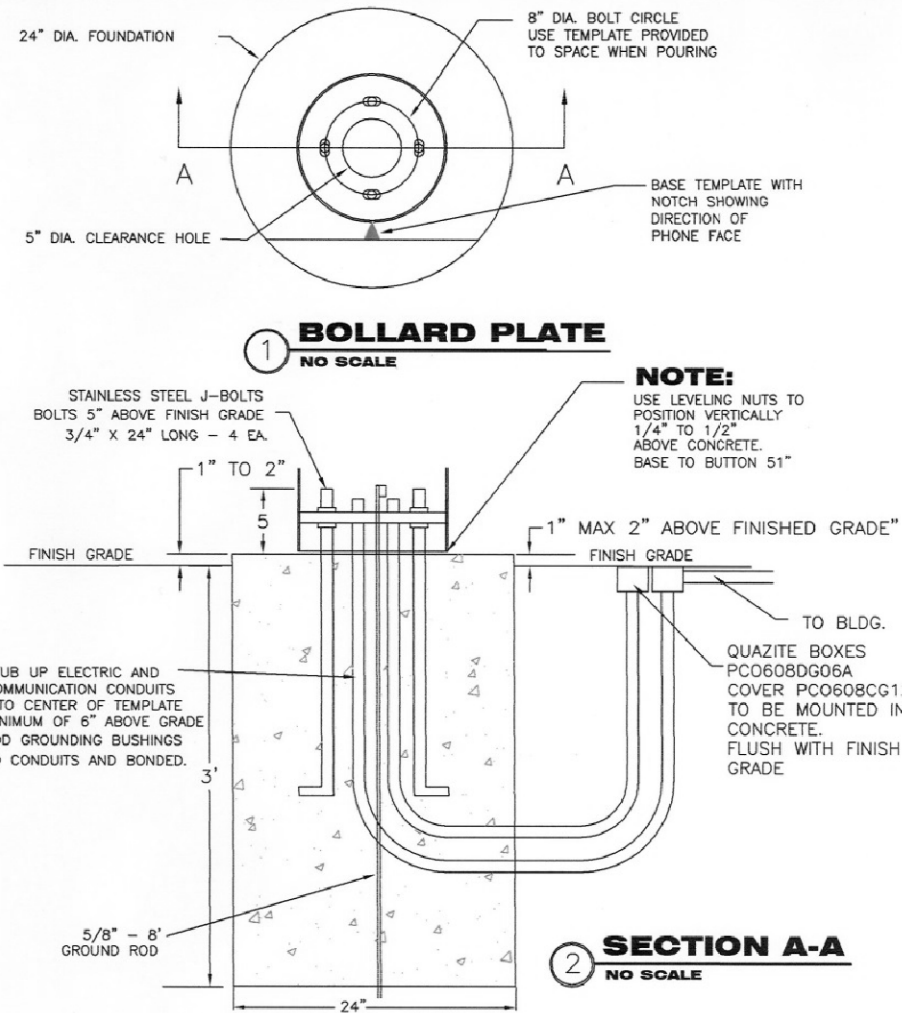


BOLLARD BASE FOR STANDARD E.T.U.'s & P.A.U.'s



FILE: BOLLARD.DWG	DRAWN BY: T. E. D.	UNIVERSITY OF ILLINOIS AT CHICAGO
DWG: E.T.U. & P.A.U. BOLLARD BASE	DATE: 07.10.97	TELECOMMUNICATIONS DEPARTMENT
	SHEET: 1 OF 1	
	SCALE: NO SCALE	



EMERGENCY TELEPHONE UNIT BOLLARD

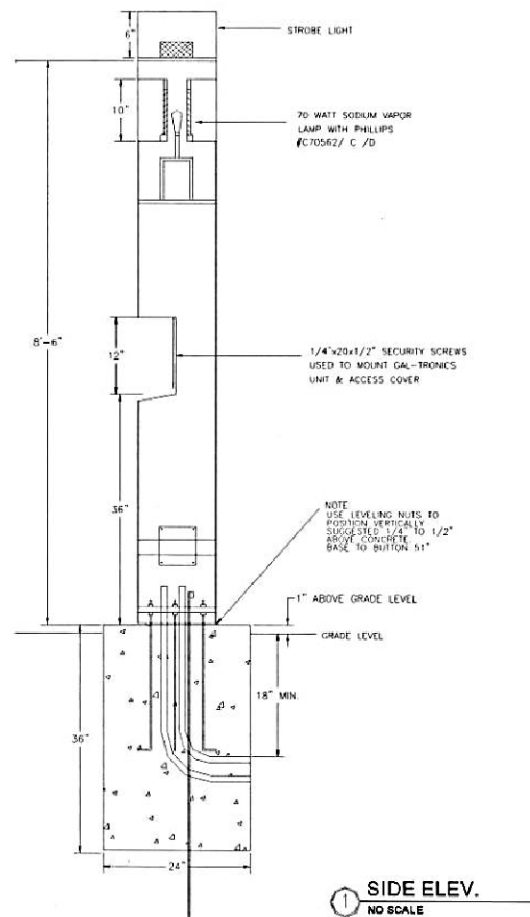


DIAGRAM 17A

FILE: BOLLARD.DWG	DRAWN BY: T.E.D. rv	UNIVERSITY OF ILLINOIS AT CHICAGO
DWG: E.T.U. COMMUNICATIONS BOLLARD	DATE: 07/10/97	TELECOMMUNICATIONS DEPARTMENT
	SHEET: 1 OF 1	
	SCALE: NO SCALE	



ETU AND PAU CONDUIT INSTALLATION

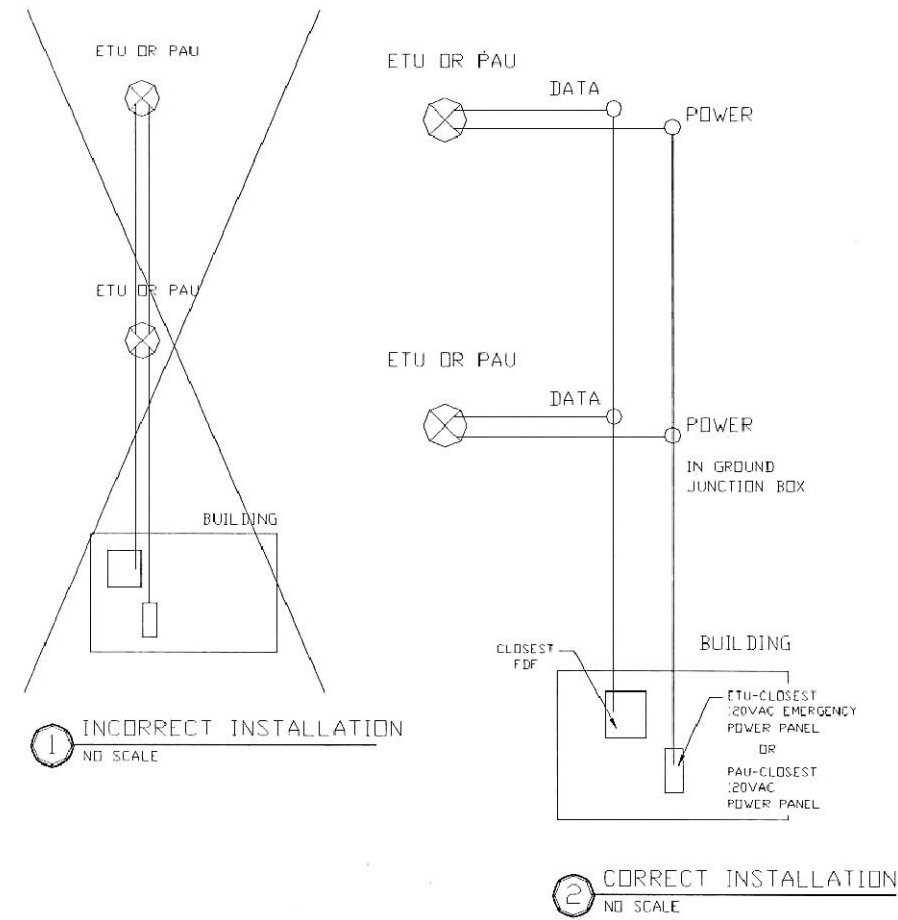


DIAGRAM 17i

FILE: ETUDIGRM.DWG	DRAWN BY: T. E. D.	UNIVERSITY OF ILLINOIS AT CHICAGO
DWG: ETU - PAU CORRECT INSTALLATION	DATE: 07.30.97	TELECOMMUNICATIONS DEPARTMENT
	SHEET: 1 OF 1	
	SCALE: NO SCALE	



FILE PATH = p:\388035\pmt\lsc\comon\line\local\p\AECOM\00\Documents\01\Americas\Transportation\60269938_Circle\Phase_1\1000_CAD\016_Electrical\Sheets\60W29_Contract\160W29-sht-Light-11