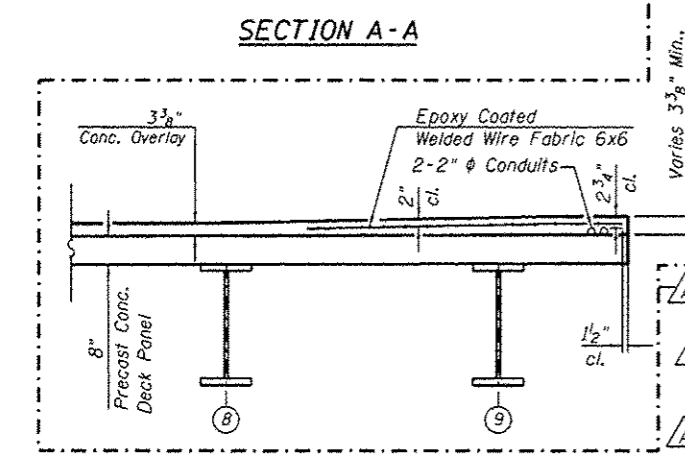
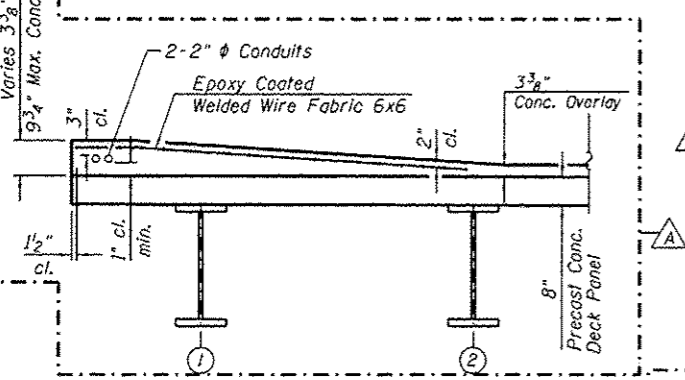
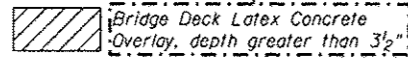


LEGEND



FACE OF WEST PARAPET

Location	Station	Offset	Theoretical Grade Elevations	Overlay Thickness
Bk. S. Abut.	3702+57.64	-26.67	596.63	2.25
CL Brq. S. Abut.	3702+59.81	-26.67	596.65	2.25
1A	3702+69.81	-26.67	596.75	2.25
1B	3702+79.81	-26.67	596.85	2.25
1C	3702+89.81	-26.67	596.94	2.25
1D	3702+99.81	-26.67	597.04	2.25
1E	3703+09.81	-26.67	597.14	2.25
1F	3703+19.81	-26.67	597.24	2.25
1G	3703+29.81	-26.67	597.33	2.25
1H	3703+39.81	-26.67	597.43	2.25
CL Brq. Pier 1	3703+45.89	-26.67	597.51	2.46
2A	3703+55.89	-26.67	597.85	5.35
2B	3703+65.89	-26.67	598.31	9.81
2C	3703+75.89	-26.67	598.31	8.61
2D	3703+85.89	-26.67	598.31	7.41
2E	3703+95.89	-26.67	598.31	6.21
2F	3704+05.89	-26.67	598.48	7.22
2G	3704+15.89	-26.67	598.55	6.78
CL Brq. Pier 2	3704+26.39	-26.67	598.27	2.25
3A	3704+36.39	-26.67	598.37	2.25
3B	3704+46.39	-26.67	598.47	2.25
3C	3704+56.39	-26.67	598.57	2.25
3D	3704+66.39	-26.67	598.66	2.25
3E	3704+76.39	-26.67	598.71	2.25
3F	3704+86.39	-26.67	598.69	2.25
3G	3704+96.39	-26.67	598.60	2.25
3H	3705+06.39	-26.67	598.43	2.25
3I	3705+16.39	-26.67	598.19	2.25
CL Brq. N. Abut.	3705+28.56	-26.67	597.80	2.25
Bk. N. Abut.	3705+30.73	-26.67	597.44	2.25

PGL & C ROADWAY

Location	Station	Offset	Theoretical Grade Elevations	Overlay Thickness
Bk. S. Abut.	3702+57.64	0.00	597.03	2.25
CL Brq. S. Abut.	3702+59.81	0.00	597.05	2.25
1A	3702+69.81	0.00	597.15	2.25
1B	3702+79.81	0.00	597.25	2.25
1C	3702+89.81	0.00	597.34	2.25
1D	3702+99.81	0.00	597.44	2.25
1E	3703+09.81	0.00	597.54	2.25
1F	3703+19.81	0.00	597.64	2.25
1G	3703+29.81	0.00	597.73	2.25
1H	3703+39.81	0.00	597.83	2.25
CL Brq. Pier 1	3703+45.89	0.00	597.89	2.25
2A	3703+55.89	0.00	597.99	2.25
2B	3703+65.89	0.00	598.08	2.25
2C	3703+75.89	0.00	598.18	2.25
2D	3703+85.89	0.00	598.28	2.25
2E	3703+95.89	0.00	598.38	2.25
2F	3704+05.89	0.00	598.47	2.25
2G	3704+15.89	0.00	598.57	2.25
CL Brq. Pier 2	3704+26.39	0.00	598.67	2.25
3A	3704+36.39	0.00	598.77	2.25
3B	3704+46.39	0.00	598.87	2.25
3C	3704+56.39	0.00	598.97	2.25
3D	3704+66.39	0.00	599.06	2.25
3E	3704+76.39	0.00	599.11	2.25
3F	3704+86.39	0.00	599.09	2.25
3G	3704+96.39	0.00	599.00	2.25
3H	3705+06.39	0.00	598.83	2.25
3I	3705+16.39	0.00	598.59	2.25
CL Brq. N. Abut.	3705+28.56	0.00	598.20	2.25
Bk. N. Abut.	3705+30.73	0.00	598.12	2.25

FACE OF EAST PARAPET

Location	Station	Offset	Theoretical Grade Elevations	Overlay Thickness
Bk. S. Abut.	3702+57.64	26.67	596.63	2.25
CL Brq. S. Abut.	3702+59.81	26.67	596.65	2.25
1A	3702+69.81	26.67	596.75	2.25
1B	3702+79.81	26.67	596.85	2.25
1C	3702+89.81	26.67	596.94	2.25
1D	3702+99.81	26.67	597.04	2.25
1E	3703+09.81	26.67	597.14	2.25
1F	3703+19.81	26.67	597.24	2.25
1G	3703+29.81	26.67	597.33	2.25
1H	3703+39.81	26.67	597.43	2.25
CL Brq. Pier 1	3703+45.89	26.67	597.49	2.29
2A	3703+55.89	26.67	597.68	3.37
2B	3703+65.89	26.67	597.91	5.16
2C	3703+75.89	26.67	597.88	3.49
2D	3703+85.89	26.67	597.90	2.43
2E	3703+95.89	26.67	597.98	2.25
2F	3704+05.89	26.67	598.07	2.25
2G	3704+15.89	26.67	598.17	2.25
CL Brq. Pier 2	3704+26.39	26.67	598.27	2.25
3A	3704+36.39	26.67	598.37	2.25
3B	3704+46.39	26.67	598.47	2.25
3C	3704+56.39	26.67	598.57	2.25
3D	3704+66.39	26.67	598.66	2.25
3E	3704+76.39	26.67	598.71	2.25
3F	3704+86.39	26.67	598.69	2.25
3G	3704+96.39	26.67	598.60	2.25
3H	3705+06.39	26.67	598.43	2.25
3I	3705+16.39	26.67	598.19	2.25
CL Brq. N. Abut.	3705+28.56	26.67	597.80	2.25
Bk. N. Abut.	3705+30.73	26.67	597.44	2.25

Notes:
 For Top of Slab Elevations for precast concrete deck panels see Sheets 10 through 12 of 55.
 For scoring pattern of Bridge Deck Concrete Overlay, 2 1/4 Inches see Sheets 91 and 92 of 356.
 Score shall be the width and depth of a bridge deck groove, as specified in Article 503.16(a)(3).
 Bridge Deck Latex Concrete Overlay depth varies from 2 1/4" to 9 3/4". Additional concrete shall be included in the cast of Bridge Deck Latex Concrete Overlay, 2 1/4 Inches. Bridge Deck Latex Concrete Overlay greater than 3 1/2" shall be reinforced with epoxy coated Welded Wire Fabric 6x6.

Bridge deck overlay to be placed the following Spring.

BILL OF MATERIAL

Item	Unit	Quantity
Bridge Deck Latex Concrete Overlay, 2 1/4 Inches	Sq. Yd.	1614
Welded Wire Fabric 6x6	Sq. Yd.	66



USER NAME • krahstings	DESIGNED KAH	REVISOR 12/18/2013 KAH/WJC
PLLOT SCALE • 21:4,0024 1/4" / 1"	CHECKED WJC	REVISOR 2/10/2014 KAH/DL
PLLOT DATE • 2/10/2014	DRAWN RLS	REVISOR
	CHECKED WJC	REVISOR

STATE OF ILLINOIS
DEPARTMENT OF TRANSPORTATION

BRIDGE DECK OVERLAY
STRUCTURE NO. 016-1708
SHEET NO. 14 OF 55 SHEETS

MUN 2090	SECTION 2013-01R	COUNTY COOK	TOTAL SHEETS 356	SHEET NO. 146
CONTRACT NO. 60W29			ILLINOIS FED. AID PROJECT FED. AID PROJECT	

3/21/04 PM 0161708-60W29-5014-TopSlab_4.dgn