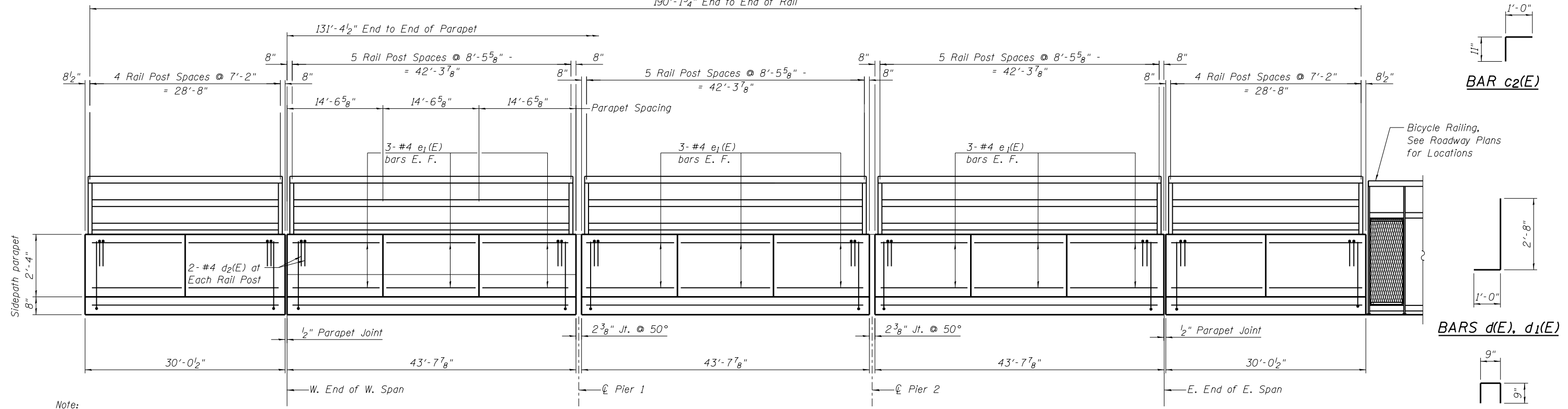


190'-1 3/4" End to End of Rail



Note:
See sheet S12 of S23 for Approach Parapet reinforcement.

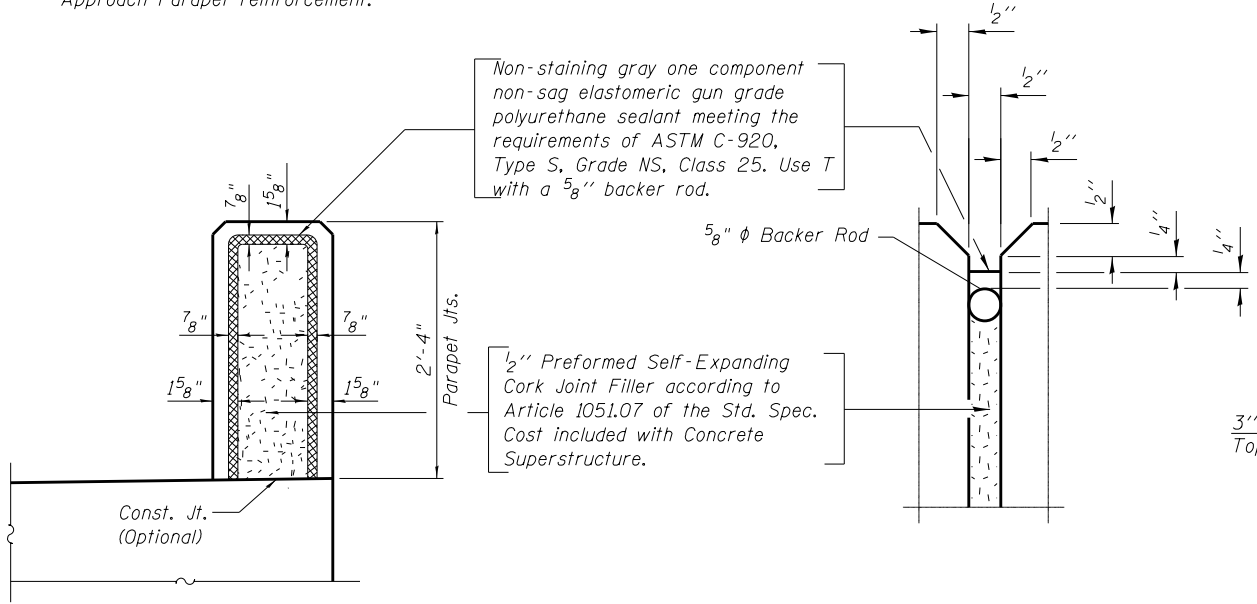
INSIDE ELEVATION OF PARAPET

BAR c2(E)

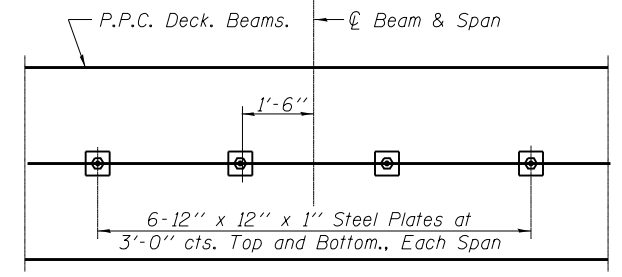
BARS d(E), d1(E)

BAR d2(E)

MINIMUM BAR LAP
(Parapet)
#4 bar = 2'-0"

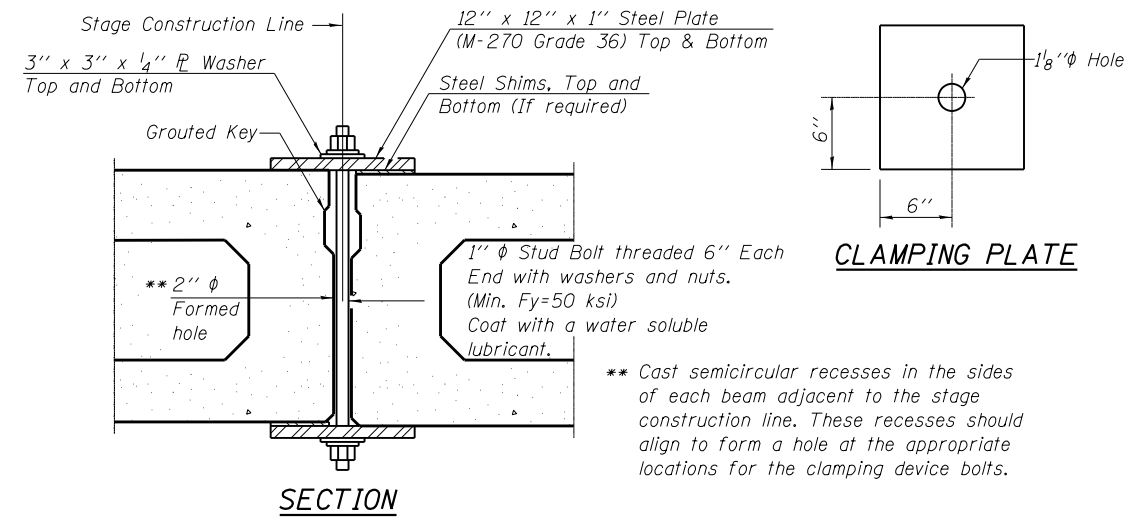


PARAPET JOINT DETAILS



PLAN

BAR c(E)

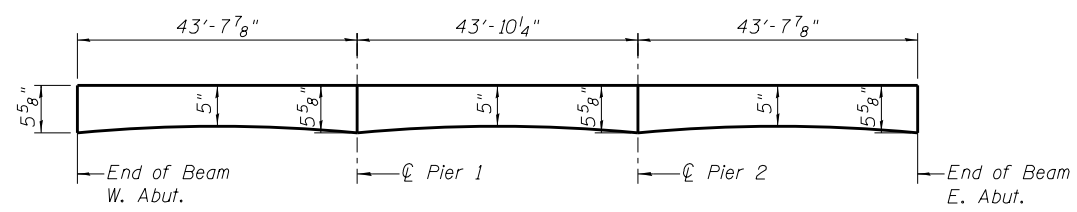


SECTION

CLAMPING PLATE

SHEAR KEY CLAMPING DETAILS AT STAGE CONST. JT.

Cost included with Precast Prestressed Concrete Deck Beams.
See Stage Construction Details for traffic lanes.



ANTICIPATED CONCRETE WEARING SURFACE PROFILE
Concrete Wearing Surface along Roadway

SUPERSTRUCTURE BILL OF MATERIAL

Bar	No.	Size	Length	Shape
a(E)	258	#4	21'-11"	—
a1(E)	258	#4	23'-1"	—
b(E)	624	#4	23'-1"	—
c(E)	258	#5	10'-8"	┌
c1(E)	258	#4	3'-8"	—
c2(E)	516	#6	1'-11"	└
d(E)	258	#4	3'-8"	└
d1(E)	258	#6	3'-8"	└
d2(E)	72	#4	2'-3"	└
e1(E)	108	#4	14'-3"	—
Reinforcement Bars, Epoxy Coated		Pound	25560	
Concrete Superstructure		Cu. Yd.	80	
Concrete Wearing Surface, 5"		Sq. Yd.	1079	
Preformed Joint Strip Seal		Foot	179	

Bars indicated thus 1 x 2-#8 etc. indicates 1 line of bars with 2 lengths per line.

M:\JL 132 over- Des\James River\12-15-00\1\DRAWINGS\Structural\Final Plans\CADD Sheets\049-0062_09_super_details.dgn



USER NAME = JPS	DESIGNED - OY	REVISED
FILE NAME = 049-0062_09_super_details.dgn	CHECKED - DB	REVISED
PLOT DATE = 9/3/2013	DRAWN - CM	REVISED
	CHECKED - OY	REVISED

STATE OF ILLINOIS
DEPARTMENT OF TRANSPORTATION

SUPERSTRUCTURE DETAILS
STRUCTURE NO. 049-0062

SHEET NO. 59 OF 523 SHEETS

F.A.P. RTE.	SECTION	COUNTY	TOTAL SHEETS	SHEET NO.
541	X-6B-R	LAKE	93	50
				CONTRACT NO. 60N22
ILLINOIS FED. AID PROJECT				