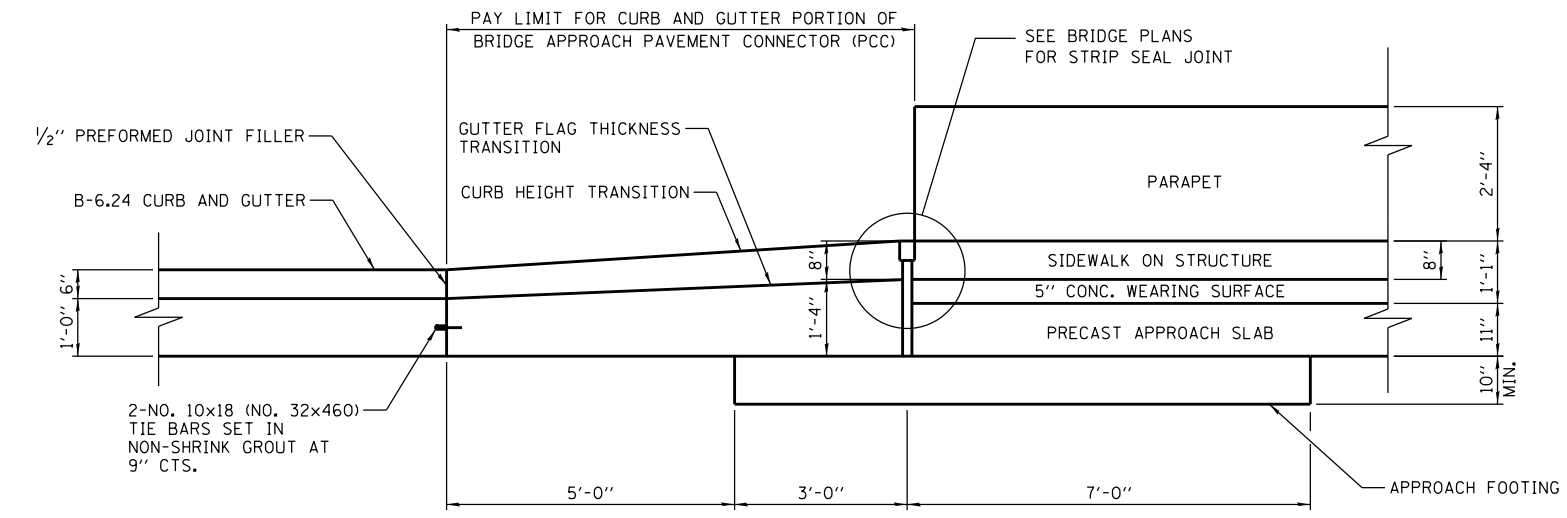
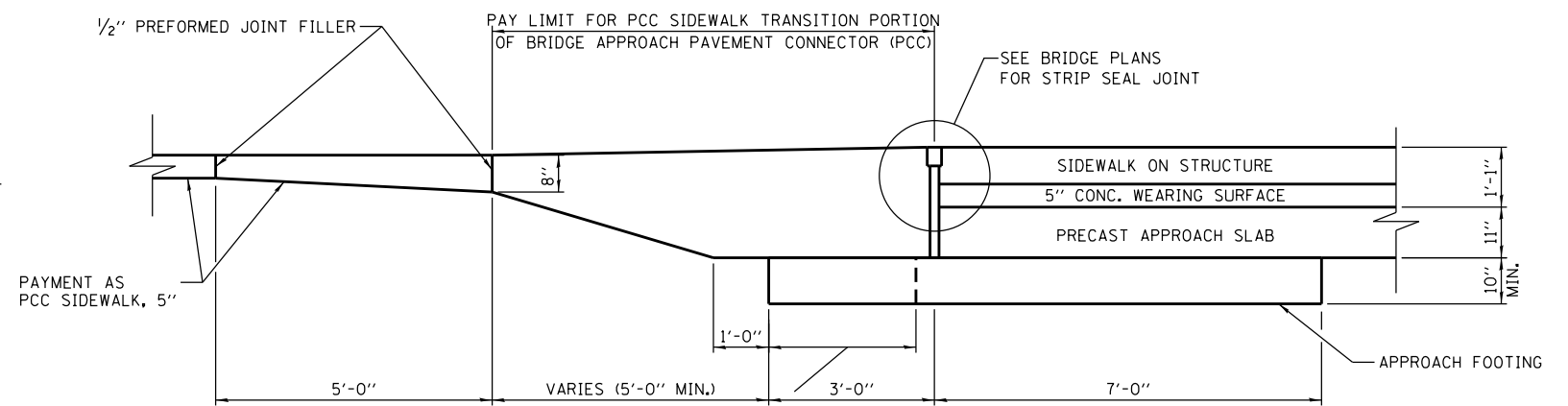


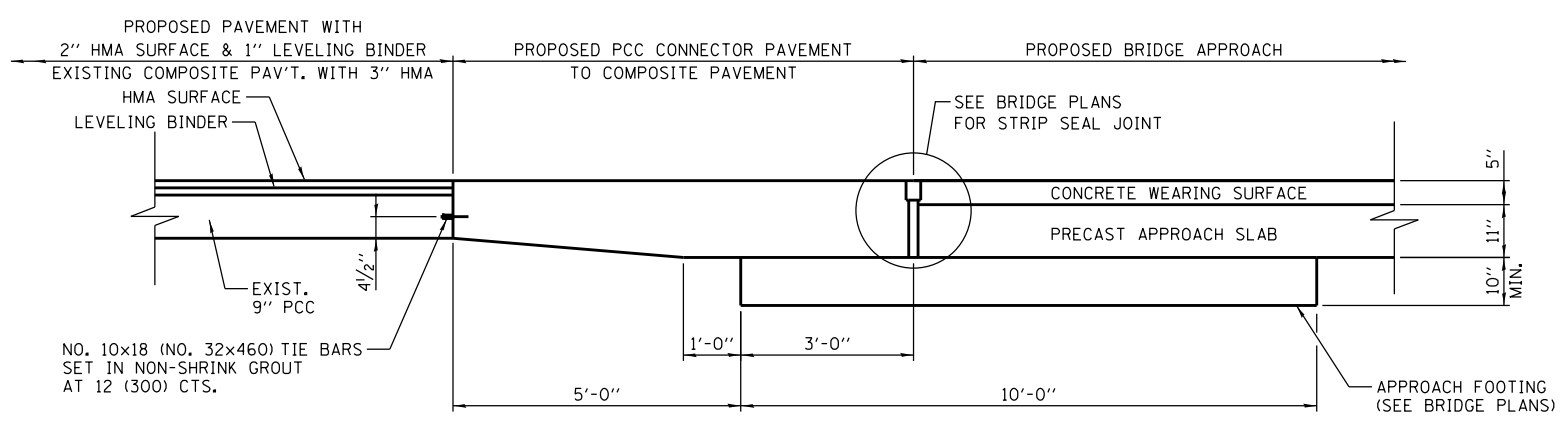
PLAN
PCC APPROACH TO COMPOSITE PAVEMENT



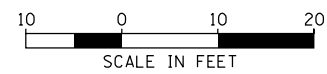
SECTION H-H
TRANSITION CURB AND GUTTER PAVEMENT CONNECTOR



SECTION I-I
TRANSITION SIDEWALK PAVEMENT CONNECTOR



SECTION G-G
PCC CONNECTOR PAVEMENT TO COMPOSITE PAVEMENT



M:\IL_132_cover_Design\Drawings\Road\Drawings\CADD_Sheets\1111132-plt-detailed.dgn



USER NAME = Kjeac	DESIGNED - BCB	REVISED -
PLOT SCALE =	DRAWN - BCB	REVISED -
PLOT DATE = 9/3/2013	CHECKED - DPA	REVISED -
	DATE - 09/03/13	REVISED -

STATE OF ILLINOIS
DEPARTMENT OF TRANSPORTATION

IL 132 (GRAND AVE.) OVER DES PLAINES RIVER		F.A.P. RTE. 541	SECTION X-6-B-1-1	COUNTY LAKE	TOTAL SHEETS 93	SHEET NO. 41
BRIDGE APPROACH PAVEMENT CONNECTOR DETAIL		SCALE:		SHEET NO. OF SHEETS	STA. TO STA.	CONTRACT NO. 60N22

ILLINOIS FED. AID PROJECT	
---------------------------	--