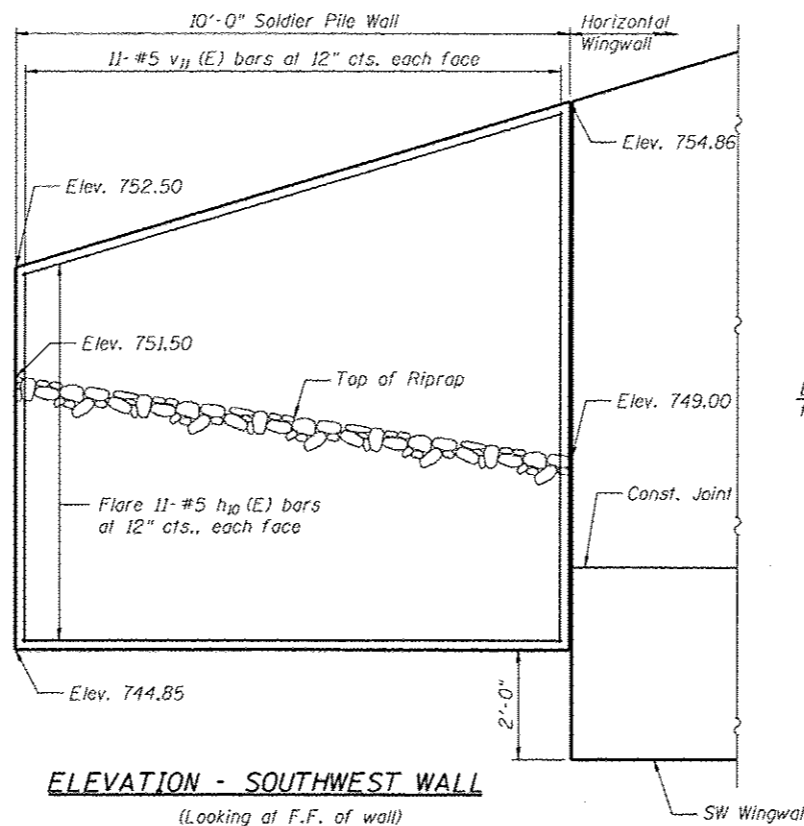


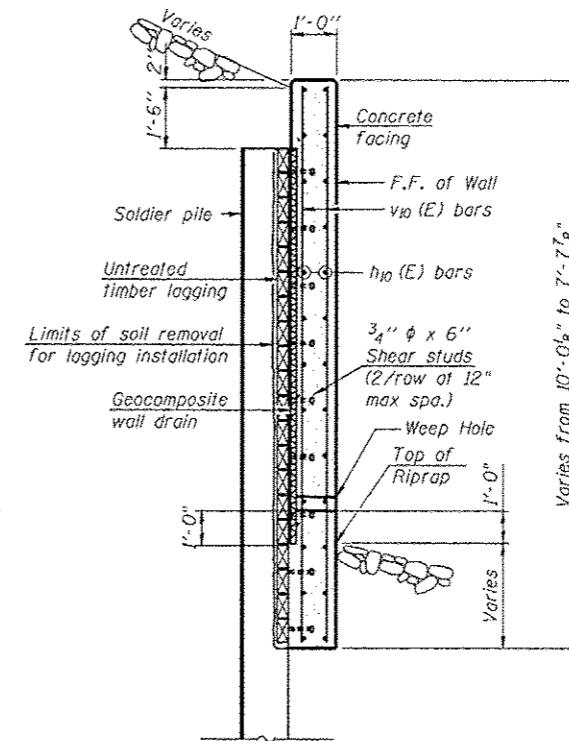
ELEVATION - NORTHEAST WALL

(Looking at F.F. of wall)

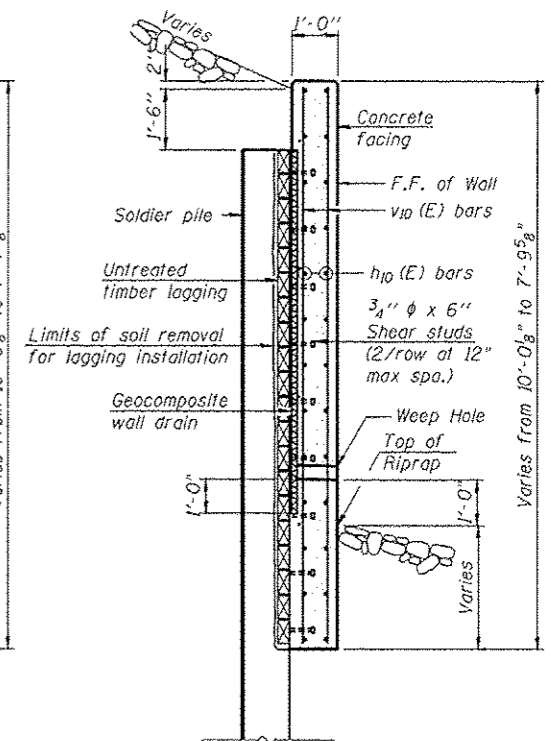


ELEVATION - SOUTHWEST WALL

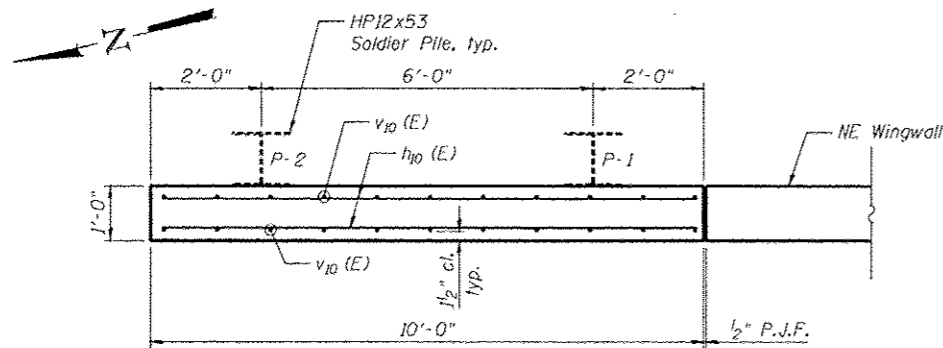
(Looking at F.F. of wall)



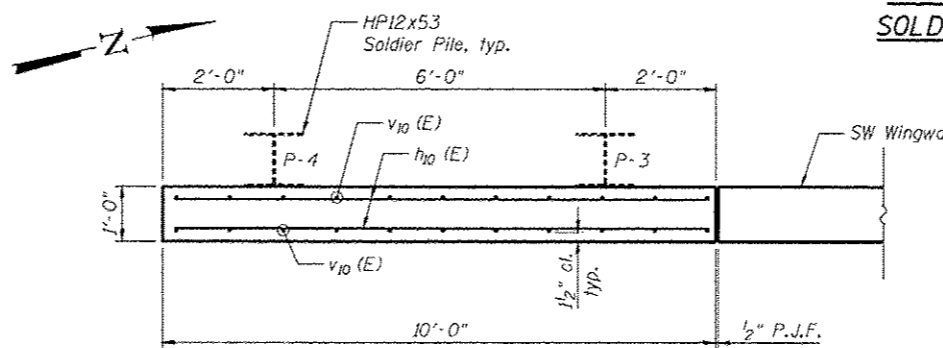
SECTION THRU S.W. SOLDIER PILE WALL



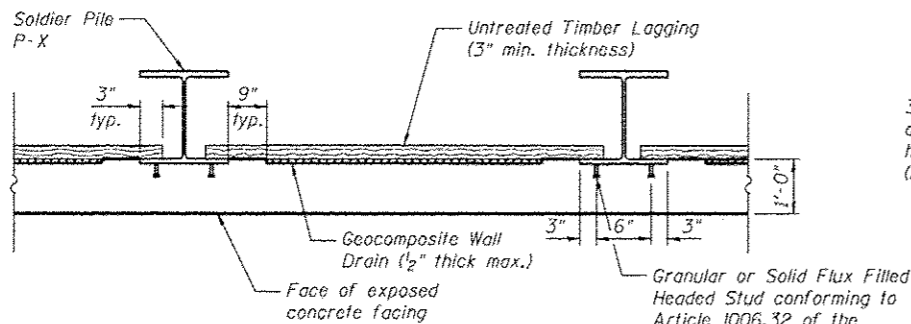
SECTION THRU N.E. SOLDIER PILE WALL



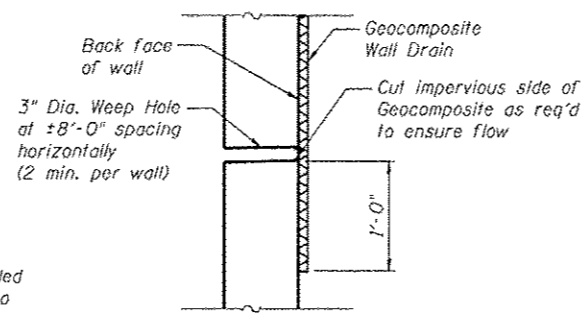
PLAN - NORTHEAST WALL



PLAN - SOUTHWEST WALL



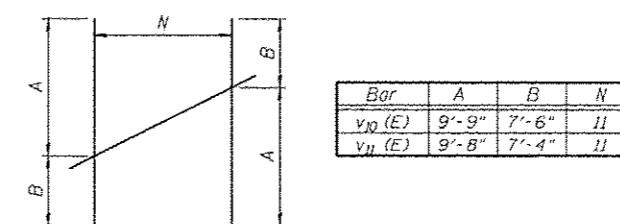
TYPICAL SECTION THRU WALL



WEEP HOLE DRAIN DETAIL

PILE DATA TABLE

| Pile No. | Top of Pile | Bot. of Pile | Length | Shear Studs |
|----------|-------------|--------------|--------|-------------|
| P-1 | 752.60 | 726.60 | 26' | 16 |
| P-2 | 751.27 | 726.77 | 24.5 | 12 |
| P-3 | 752.72 | 724.72 | 28' | 16 |
| P-4 | 751.31 | 724.81 | 26.5 | 12 |



BAR CUTTING DIAGRAM

REINFORCEMENT BAR LIST

| Bar | No. | Size | Length | Shape |
|---------|-----|------|--------|-------|
| h10 (E) | 44 | #5 | 9'-9" | — |
| v10 (E) | 22 | #5 | 17'-3" | — |
| v11 (E) | 22 | #5 | 17'-0" | — |

BILL OF MATERIAL

| Item | Unit | Total |
|---------------------------------------|---------|-------|
| Structure Excavation | Cu. Yd. | 24 |
| Concrete Structures | Cu. Yd. | 6.6 |
| Reinforcement Bars, Epoxy Coated | Pound | 1,240 |
| Stud Shear Conn. | Each | 56 |
| Geocomposite Wall Drain | Sq. Yd. | 5 |
| Untreated Timber Lagging | Sq. Ft. | 144 |
| Furnishing Soldier Piles (HP Section) | Foot | 105 |
| Driving Soldier Piles | Foot | 105 |

Order bars full length. Cut to fit according to cutting diagram and use remainder of bars in opposite face.

FILE NAME: TYLIN INTERNATIONAL

USER NAME: DESIGNED - SP
 CHECKED - TCC
 DRAWN - SP/TCC
 CHECKED - RH

REVISIONS:
 1/6/2014 S.P.
 REVISIONS:
 REVISIONS:
 REVISIONS:

STATE OF ILLINOIS
 DEPARTMENT OF TRANSPORTATION

SOLDIER PILE WALL DETAILS
 STRUCTURE NO. 099-0609

SHEET NO. SD-5 OF SD-7 SHEETS

F.A.I. SECTION COUNTY TOTAL SHEETS SHEET NO.
 57 99-1HB-R1 WILL 679 387
 CONTRACT NO. 60L69
 ILLINOIS FED. AID PROJECT

Entire Sheet Revised

P:\62026\2157_@_Shuete\Structural\3-Sheet\Drawings\Drawings\Accurrent\Drawings\Drawings\Curr_Mat\Mat_Diag_5-4-2014.rvt