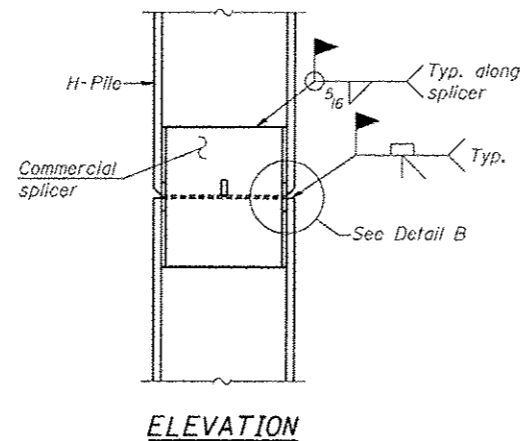
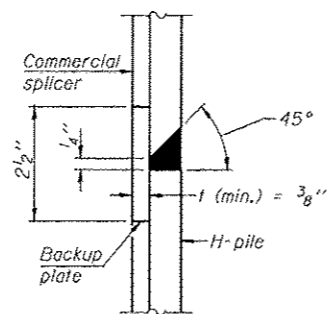


STEEL PILE TABLE

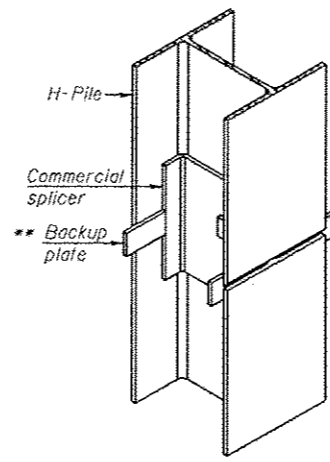
Designation	Depth d	Flange width bf	Web and Flange thickness t	Encasement diameter A
HP 14x117	14 1/4"	14 7/8"	13/16"	30"
x102	14"	14 3/4"	1/4"	30"
x89	13 7/8"	14 3/4"	5/8"	30"
x73	13 5/8"	14 5/8"	1/2"	30"
HP 12x84	12 1/4"	12 1/4"	1/4"	24"
x74	12 1/8"	12 1/4"	5/8"	24"
x63	12"	12 1/8"	1/2"	24"
x53	11 3/4"	12"	7/16"	24"
HP 10x57	10"	10 1/4"	9/16"	24"
x42	9 3/4"	10 1/8"	7/16"	24"
HP 8x36	8"	8 1/8"	7/16"	18"



ELEVATION

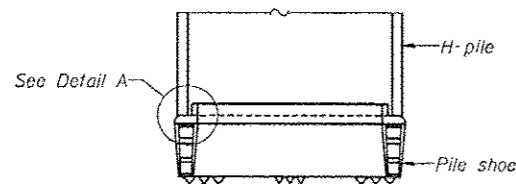


DETAIL "B"

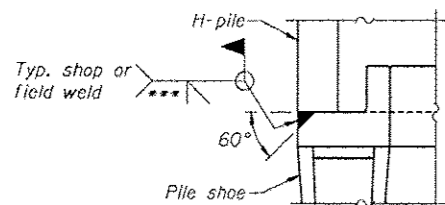


ISOMETRIC VIEW

WELDED COMMERCIAL SPLICE

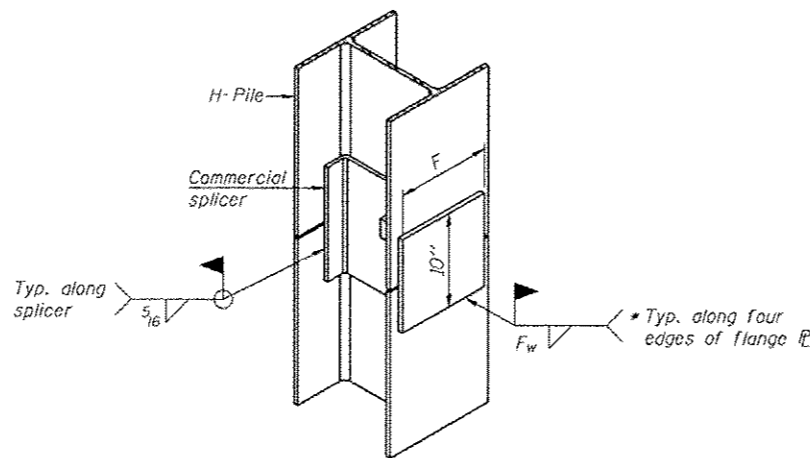


ELEVATION



DETAIL A

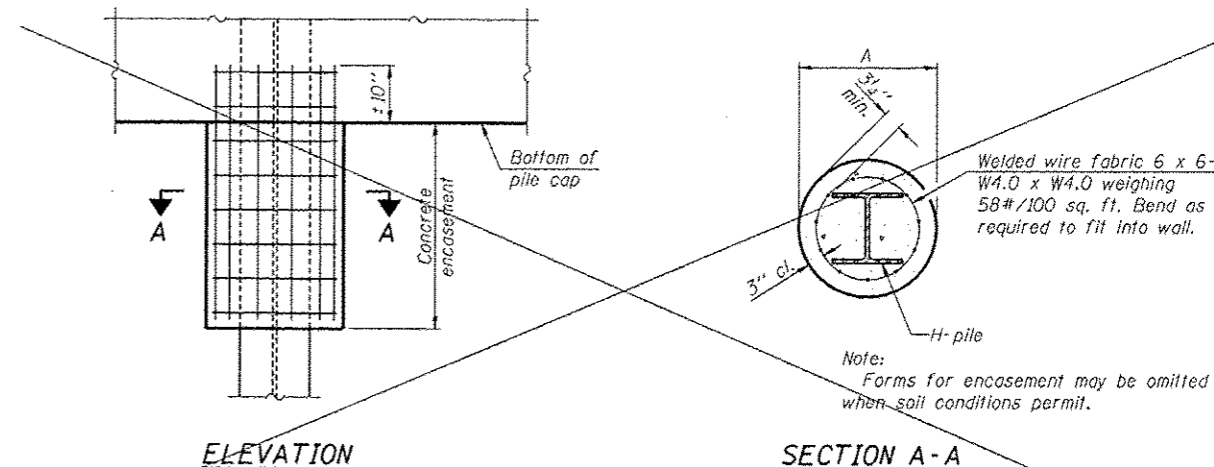
H-PILE SHOE ATTACHMENT



ISOMETRIC VIEW

WELDED COMMERCIAL SPLICE ALTERNATE

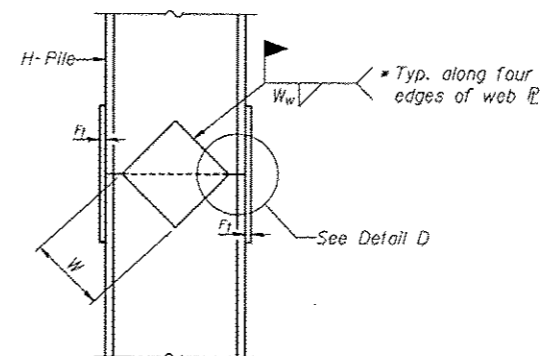
- * Interrupt welds 1/4" from end of web and/or each flange.
- ** Remove portions of backup plates that extend outside the flanges.
- *** Weld size per pile shoe manufacturer (5/16" min.).



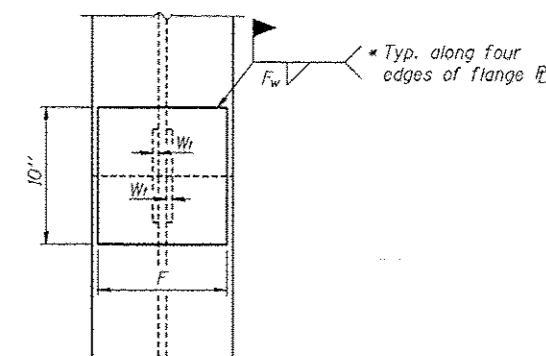
ELEVATION

SECTION A-A

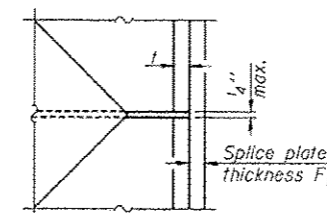
PILE ENCASEMENT



ELEVATION



END VIEW



DETAIL D

WELDED PLATE FIELD SPLICE

Designation	F	F1	Fw	W	W1	Ww
HP 14x117	12 1/2"	1"	7/8"	7 3/4"	5 1/8"	1 1/2"
x102	12 1/2"	7/8"	3/4"	7 3/4"	5 1/8"	1 1/2"
x89	12 1/2"	3/4"	1/2"	7 3/4"	5 1/8"	1 1/2"
x73	12 1/2"	5/8"	1/2"	7 3/4"	5 1/8"	1 1/2"
HP 12x84	10"	7/8"	1/2"	6 1/2"	5 1/8"	1 1/2"
x74	10"	7/8"	1/2"	6 1/2"	5 1/8"	1 1/2"
x63	10"	5/8"	1/2"	6 1/2"	1/2"	3/8"
x53	10"	5/8"	1/2"	6 1/2"	1/2"	3/8"
HP 10x57	8"	3/4"	9/16"	5 1/4"	1/2"	3/8"
x42	8"	5/8"	9/16"	5 1/4"	1/2"	3/8"
HP 8x36	7"	5/8"	7/16"	4 1/4"	1/2"	3/8"

Note:
The steel H-piles shall be according to AASHTO M270 Grade 50.

F-HP 1-27-12

FILE NAME * TYLIN INTERNATIONAL	USER NAME *	DESIGNED - SP	REVISED 1/6/2014 S.P.	STATE OF ILLINOIS DEPARTMENT OF TRANSPORTATION	HP PILE DETAILS STRUCTURE NO. 099-0608	F.A.I. RTE. 57	SECTION 99-1HB-R1	COUNTY WILL	TOTAL SHEETS 679	SHEET NO. 3808
	PLOT SCALE *	DRAWN - PK	REVISED			SHEET NO. SC-8b OF SC-10 SHEETS	CONTRACT NO. 60L69		ILLINOIS FED. AID PROJECT	
PLOT DATE *	CHECKED - AMD	REVISED								

Δ Entire Sheet Revised

1/3/2014 5:48:03 PM F:\620201-57-00_Silverdale\structure\title\change\ultrast\5\current\drawings\HP_Pile.dgn