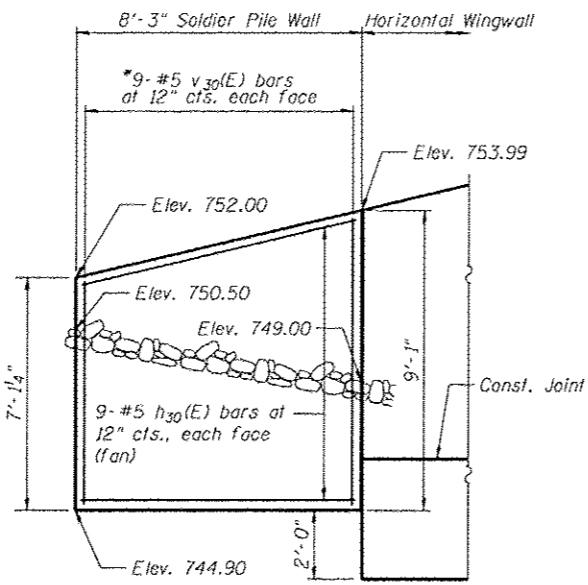
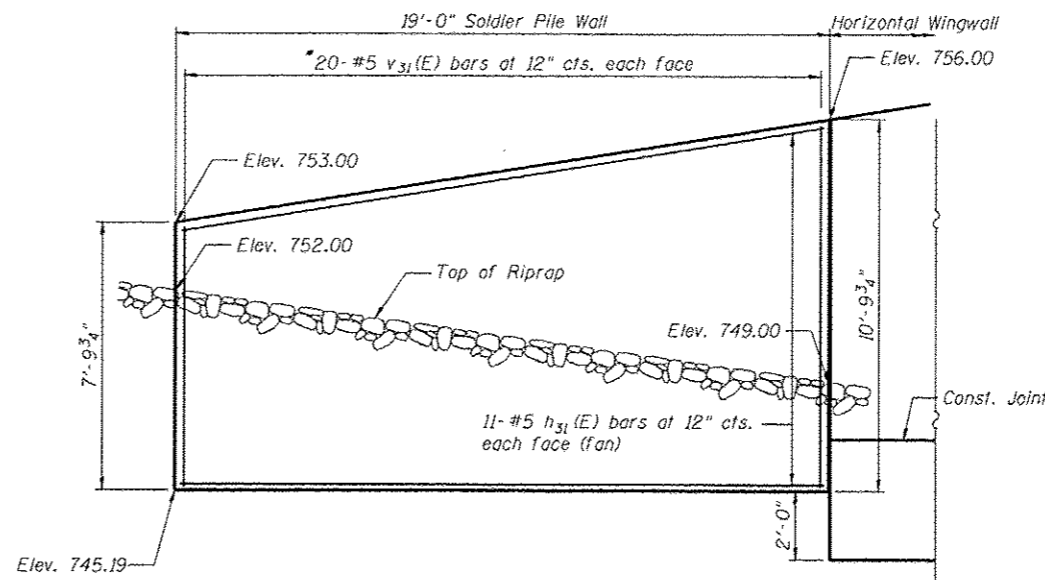


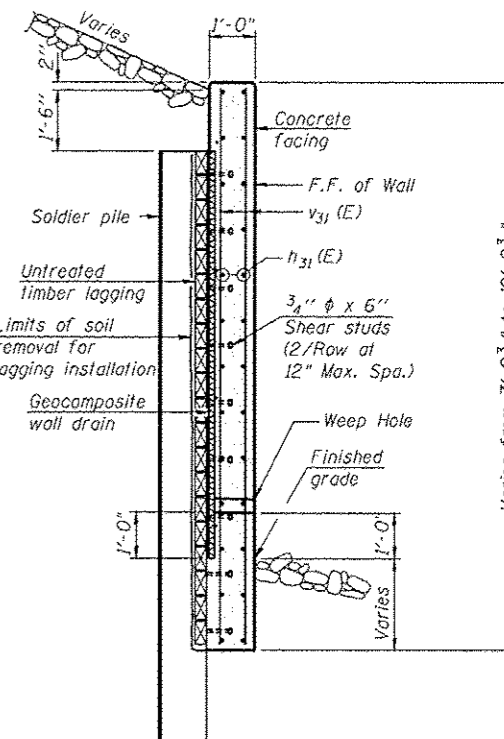
SECTION THRU N.W. SOLDIER PILE WALL



ELEVATION - NORTHWEST WALL (LOOKING @ F.F.)

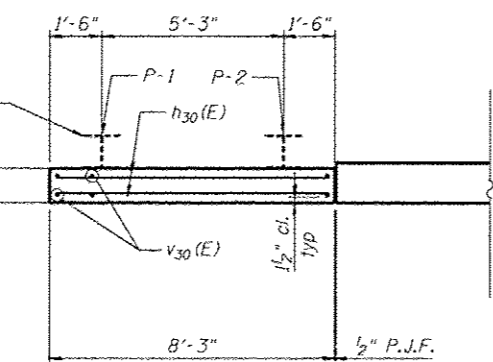


ELEVATION - SOUTHEAST WALL (LOOKING @ F.F.)

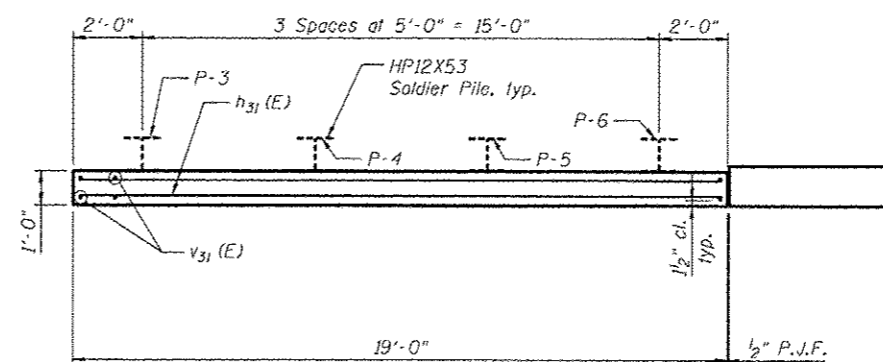


SECTION THRU S.E. SOLDIER PILE WALL

PILE DATA TABLE				
Pile No.	Top of Pile	Bot. of Pile	Length	Shear Studs
P-1	750.70	727.20	23.5'	12
P-2	751.96	727.46	24.5'	14
P-3	751.65	725.65	26.0'	14
P-4	752.44	725.94	26.5'	14
P-5	753.23	725.73	27.5'	16
P-6	754.02	726.02	28.0'	16



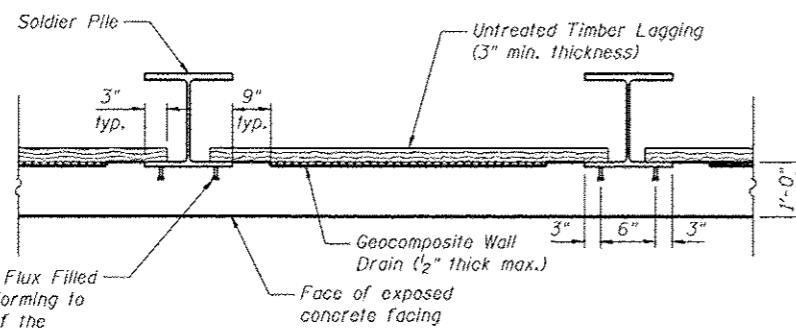
PLAN - NORTHWEST WALL



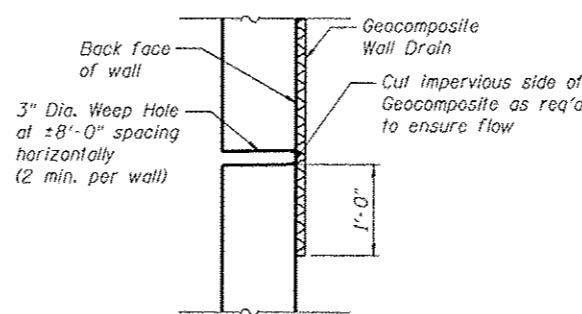
PLAN - SOUTHEAST WALL

REINFORCEMENT BAR LIST				
Bar	No.	Size	Length	Shape
h30(E)	18	#5	8'-0"	—
h31(E)	22	#5	18'-9"	—
v30(E)	9	#5	15'-8"	—
v31(E)	20	#5	18'-0"	—

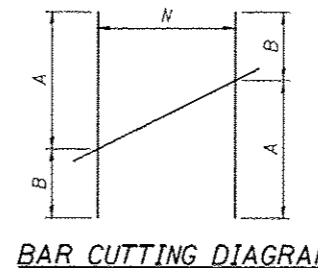
BILL OF MATERIAL		
Item	Unit	Total
Structure Excavation	Cu. Yd.	30
Concrete Structures	Cu. Yd.	9.1
Reinforcement Bars, Epoxy Coated	Pound	1,110
Stud Shear Connectors	Each	86
Geocomposite Wall Drain	Sq. Yd.	8
Untreated Timber Lagging	Sq. Ft.	199
Furnishing Soldier Piles (HP Section)	Foot	156
Driving Soldier Piles	Foot	156



TYPICAL SECTION THRU WALL



WEEP HOLE DRAIN DETAIL



Bar	A	B	N
v30(E)	8'-10"	6'-10"	9
v31(E)	10'-6"	7'-6"	20

NOTE:
 * Order bars full length. Cut to fit according to cutting diagram and use remainder of bars in opposite face.