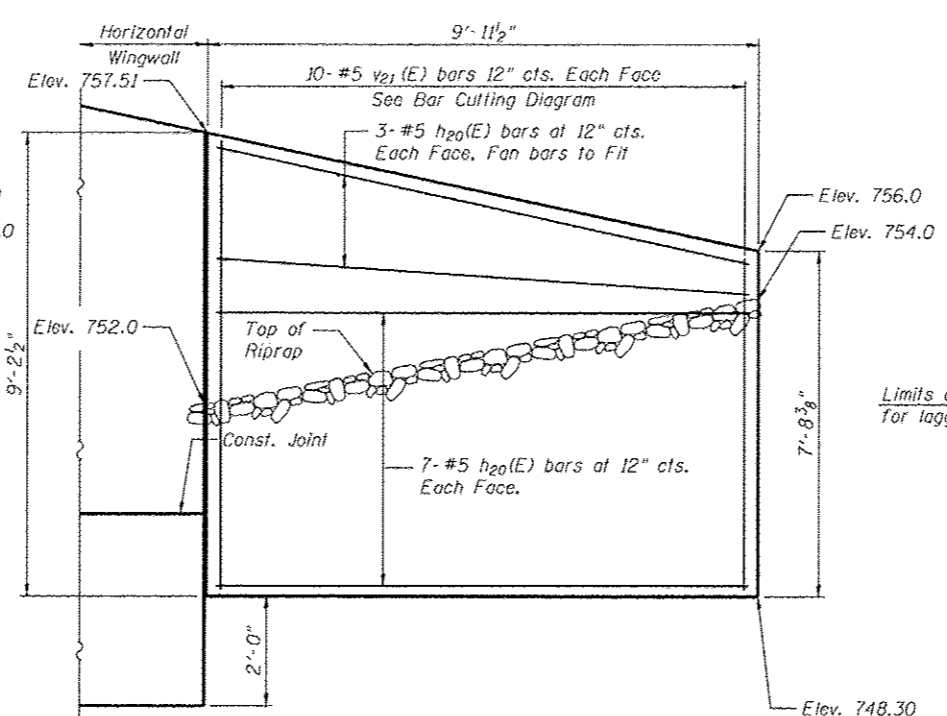
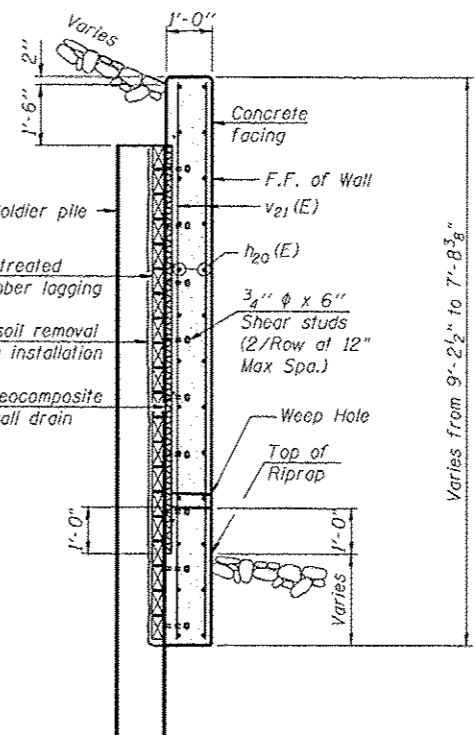


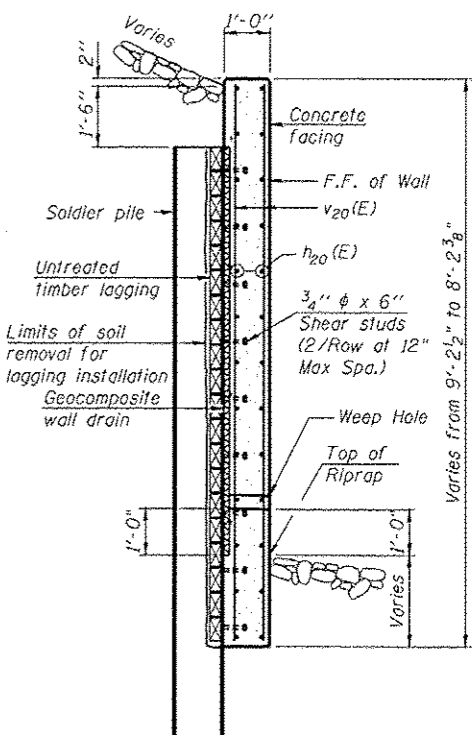
**ELEVATION - NORTHWEST WALL**  
(Looking at F.F. of Wall)



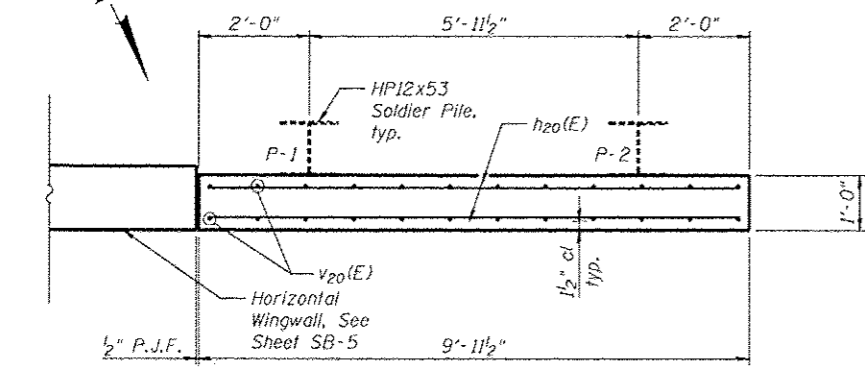
**ELEVATION - SOUTHEAST WALL**  
(Looking at F.F. of Wall)



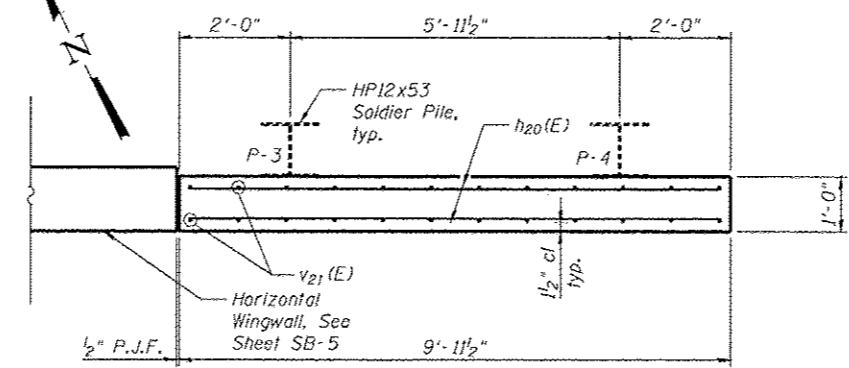
**SECTION THRU S.E. SOLDIER PILE WALL**



**SECTION THRU N.W. SOLDIER PILE WALL**



**PLAN - NORTHWEST WALL**

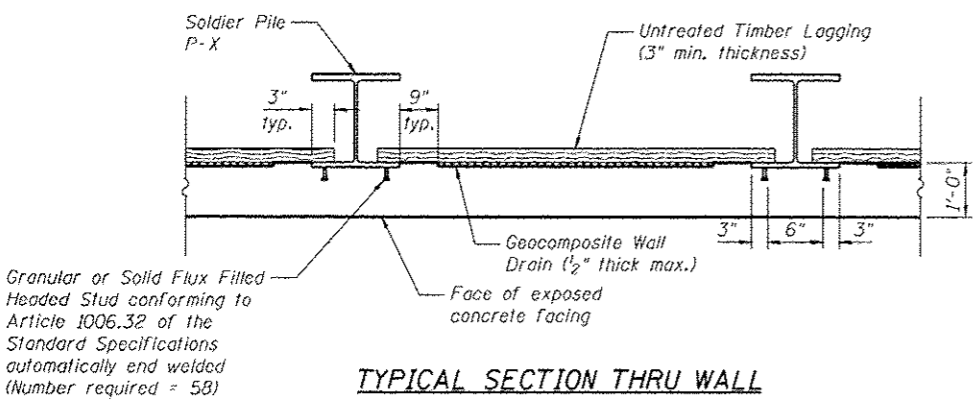


**PLAN - SOUTHEAST WALL**

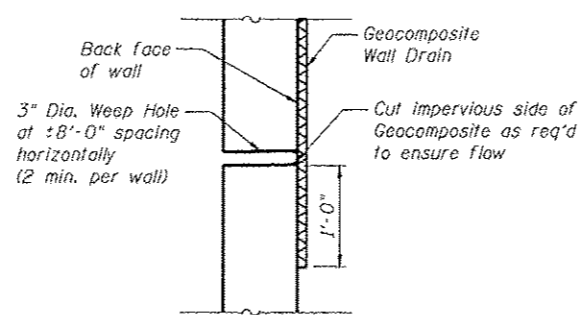
PILE DATA TABLE				
Pile No.	Top of Pile	Bot. of Pile	Length	Shear Studs
P-1	755.14	731.14	24.0'	16
P-2	754.55	731.55	23.0'	14
P-3	755.54	730.54	25.0'	16
P-4	754.64	730.64	24.0'	12

REINFORCEMENT BAR LIST				
Bar	No.	Size	Length	Shape
h20(E)	40	#5	9'-8"	—
v20(E)	20	#5	16'-10"	—
v21(E)	20	#5	16'-2"	—

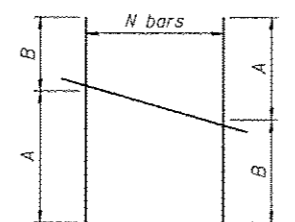
BILL OF MATERIAL		
Item	Unit	Total
Structure Excavation	Cu. Yd.	20
Concrete Structures	Cu. Yd.	6.5
Reinforcement Bars, Epoxy Coated	Pound	1,100
Stud Shear Connectors	Each	58
Geocomposite Wall Drain	Sq. Yd.	4
Untreated Timber lagging	Sq. Ft.	138.0
Furnishing Soldier Piles (HP Section)	Foot	96
Driving Soldier Piles	Foot	96



**TYPICAL SECTION THRU WALL**



**WEEP HOLE DRAIN DETAIL**



**BAR CUTTING DIAGRAM**

Order bars full length. Cut to fit according to bar cutting diagram and use remainder of bars in opposite face.

Bar	A	B	N
v20(E)	8'-11"	7'-11"	10
v21(E)	8'-10"	7'-4"	10

FILE NAME :	USER NAME :	DESIGNED - RH	REVISED - 1/6/2014 S.P.
TYLIN INTERNATIONAL		CHECKED - TCG	REVISED
	PLOT SCALE :	DRAWN - RH	REVISED
	PLOT DATE :	CHECKED - TCG	REVISED

**STATE OF ILLINOIS**  
**DEPARTMENT OF TRANSPORTATION**

**SOLDIER PILE WALL DETAILS**  
**STRUCTURE NO. 099-0610**  
SHEET NO. SB-7 OF SB-10 SHEETS

F.A.I. R.T.E.	SECTION	COUNTY	TOTAL SHEETS	SHEET NO.
57	99-14B-R1	WILL	679	369
				CONTRACT NO. 60L69
ILLINOIS FED. AID PROJECT				

P:\0202\2014-05-28\Structural\03-Structural\Drawings\Current Drawings\Sheet\_Cul\_SFW.dwg 5:52:45 PM 1/7/2014