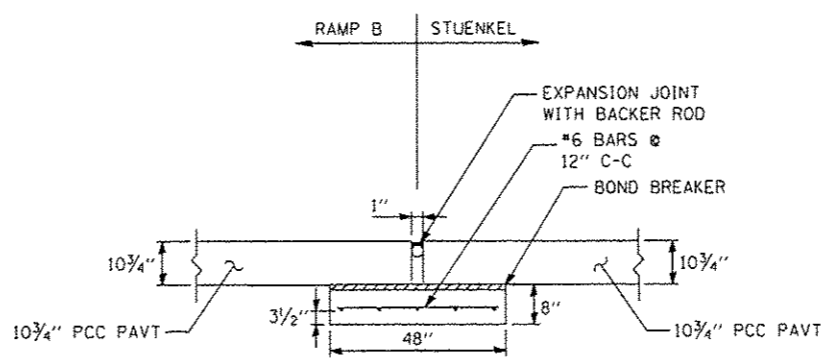
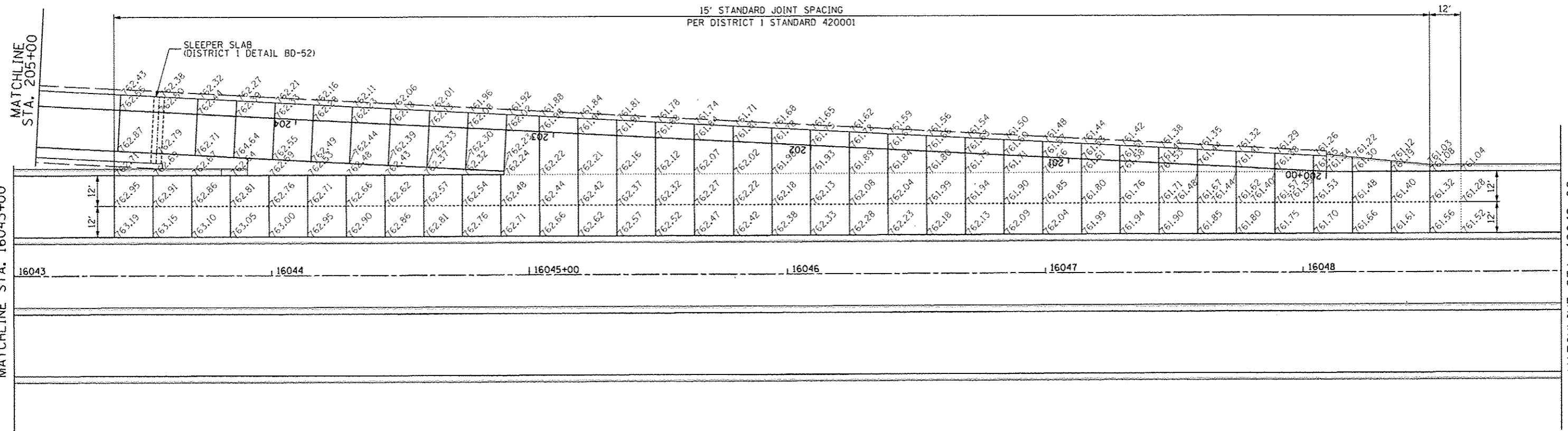




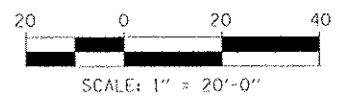
15' STANDARD JOINT SPACING  
PER DISTRICT I STANDARD 420001



1 INCH EXPANSION JOINT WITH SLEEPER SLAB

**LEGEND**

- C ROADWAY
- SAWED LONGITUDINAL JOINT (IDOT 420001)
- LONGITUDINAL CONSTRUCTION JOINT GROUTED-IN-PLACE TIE BAR (IDOT 420001)
- SAWED CONTRACTION JOINT (IDOT 420001)
- 1 INCH EXPANSION JOINT



TYLIN INTERNATIONAL	USER NAME	DESIGNED - PP	REVISED -	STATE OF ILLINOIS DEPARTMENT OF TRANSPORTATION	STUENKEL ROAD AT I-57 RIDGELAND AVENUE TO CENTRAL AVENUE INTERSECTION DETAILS - STUENKEL RD AND RAMP B		F.A.I. RTE. 57	SECTION 99-1HB-RI	COUNTY WILL	TOTAL SHEETS 679	SHEET NO. 252
	PLST SCALE	DRAWN - PP	REVISED -		SCALE: 1" = 20'	SHEET 5 OF 6 SHEETS	STA. 16043+00 TO STA. 16049+00	CONTRACT NO. 60L69		ILLINOIS FEO. AID PROJECT	
	FILE DATE	CHECKED - JPM	REVISED -								
		DATE - 05/10/2013	REVISED -								