



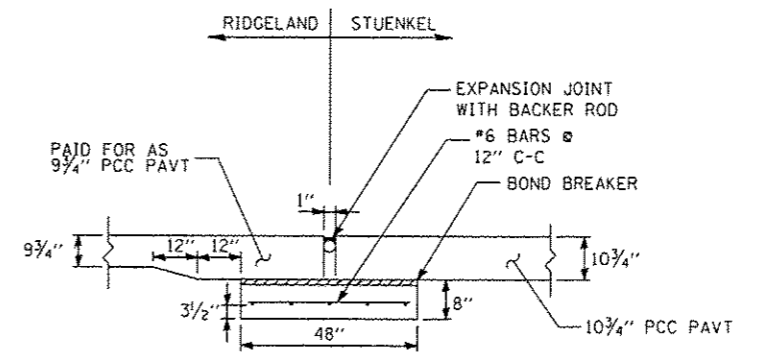
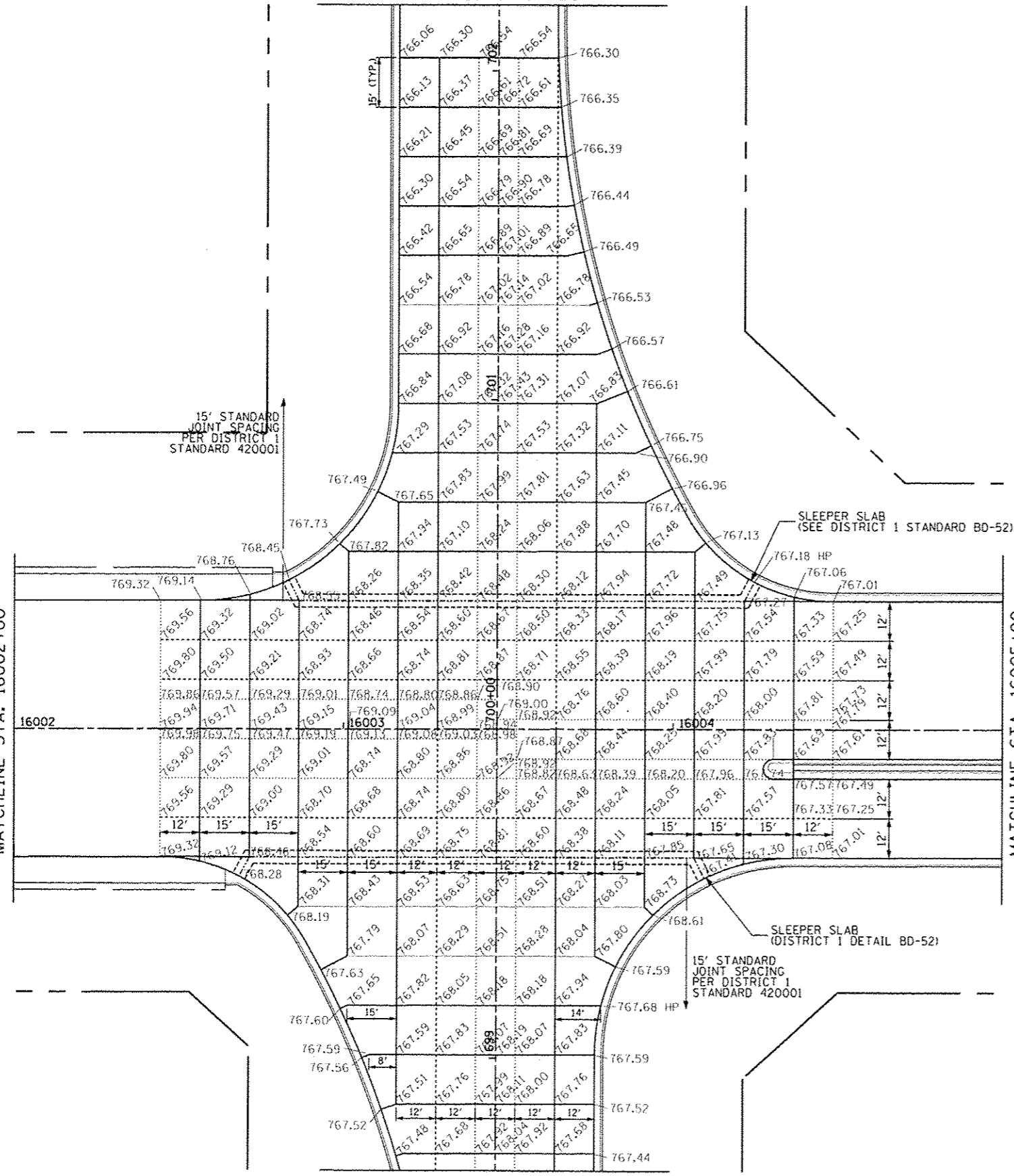
MATCHLINE 702+20

MATCHLINE 698+65.74

MATCHLINE 697+50

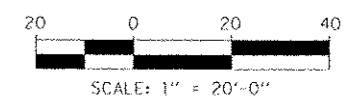
MATCHLINE STA. 16002+00

MATCHLINE STA. 16005+00



LEGEND

- ROADWAY
- SAWED LONGITUDINAL JOINT (DOT 420001)
- LONGITUDINAL CONSTRUCTION JOINT GROUTED-IN-PLACE TIE BAR (DOT 420001)
- SAWED CONTRACTION JOINT (DOT 420001)
- 1 INCH EXPANSION JOINT



1 INCH EXPANSION JOINT WITH SLEEPER SLAB

TYLIN INTERNATIONAL

USER NAME	DESIGNED - PP	REVISOR
PROJECT	DRAWN - PP	REVISIONS
PILOT SCALE	CHECKED - JPM	DATE
PILOT DATE	DATE - 05/10/2013	REVISIONS

**STATE OF ILLINOIS
DEPARTMENT OF TRANSPORTATION**

**STUENKEL ROAD AT I-57 RIDGELAND AVENUE TO CENTRAL AVENUE
INTERSECTION DETAILS - STUENKEL RD AND RIDGELAND AVE**

SCALE: 1" = 20' SHEET 1 OF 6 SHEETS STA. 16002+00 TO STA. 16005+00

F.A.I. RTE. 57	SECTION 99-1HB-R1	COUNTY WILL	TOTAL SHEETS 248	SHEET NO. 248
CONTRACT NO. 60L69				ILLINOIS FED. AID PROJECT

P:\602012\1 57_R_Stuenkel\Road\AC_3\Interchange\AC3_Stuenkel_IN_DET RIDGE.dgn