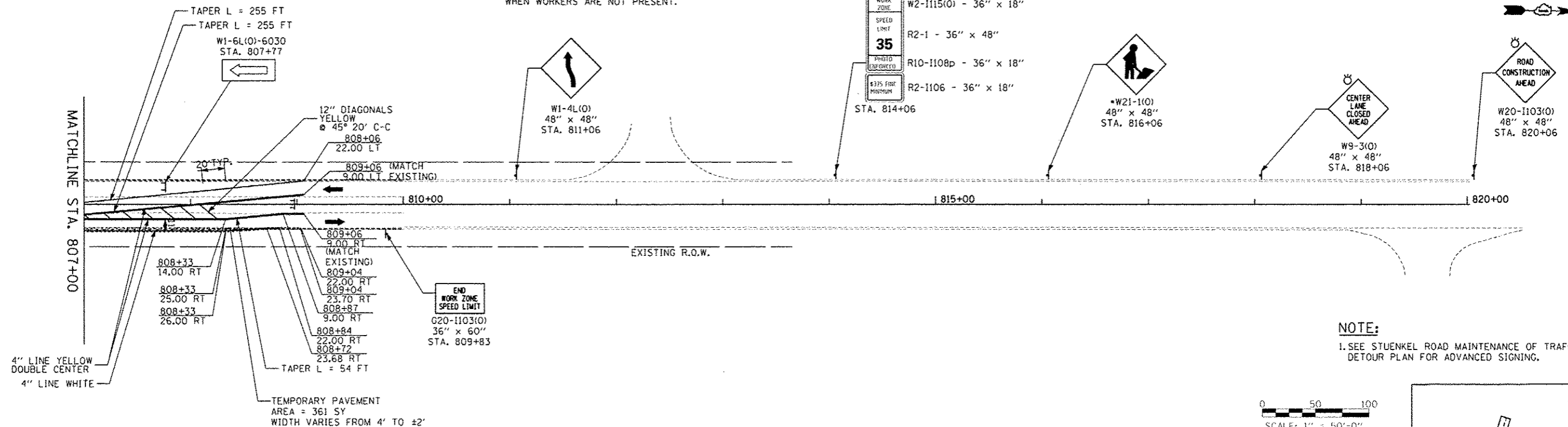
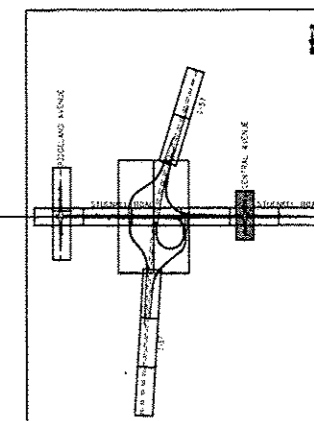
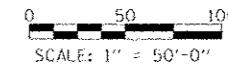


*NOTE: THIS SIGN SHALL BE TAKEN DOWN WHEN WORKERS ARE NOT PRESENT.



NOTE:
1. SEE STUENKEL ROAD MAINTENANCE OF TRAFFIC - DETOUR PLAN FOR ADVANCED SIGNING.



LEGEND:

- TRAFFIC MOVEMENT
- WORK ZONE
- BARRICADE, TYPE III
- VERTICAL BARRICADE WITH BI-DIRECTIONAL STEADY-BURNING LIGHT, 50' C-C IN TANGENTS, 20' IN TAPERS
- VERTICAL PANEL (POST MOUNTED)
- TEMPORARY AGGREGATE
- MOT WORK ZONE SIGN
- TEMPORARY PAVEMENT

TYLIN INTERNATIONAL	USER NAME	DESIGNED	JTP	REVISED	10/18/2013	STATE OF ILLINOIS DEPARTMENT OF TRANSPORTATION	STUENKEL ROAD AT I-57 RIDGELAND AVENUE TO CENTRAL AVENUE MAINTENANCE OF TRAFFIC STAGE 2 - CENTRAL AVENUE			F.A. RTE.	SECTION	COUNTY	TOTAL SHEETS	SHEET NO.
	PLD. SCALE	DRAWN	JTP	REVISED	12/04/2013					57	99-1H8-R1	WILL	679	112
	PLD. DATE	CHECKED	JPM	REVISED						CONTRACT NO. 60L69			ILLINOIS FED. AID PROJECT	
		DATE	05/10/2013	REVISED						SCALE: 1" = 50'	SHEET 4	OF 4 SHEETS	STA. 807+00	TO STA. 820+00