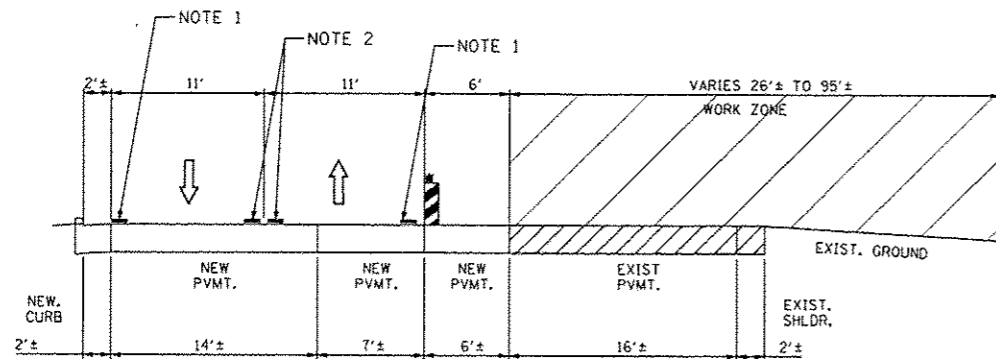


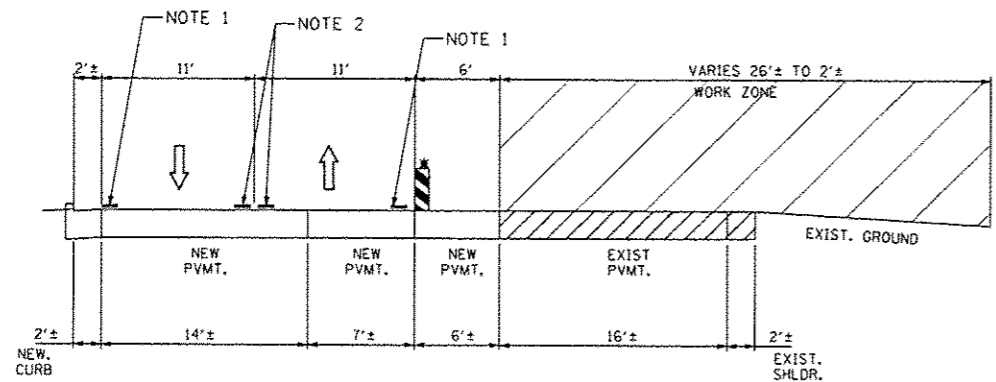
K-K

STAGE 2B - STUENKEL ROAD  
STA. 16071+00 TO STA. 16077+50



L-L

STAGE 2B - CENTRAL AVENUE  
STA. 797+00 TO STA. 802+50



M-M

STAGE 2B - CENTRAL AVENUE  
STA. 802+50 TO STA. 807+00

- NOTE 1 - PAVEMENT MARKING TAPE, TYPE III 4" LINE (WHITE)
- NOTE 2 - PAVEMENT MARKING TAPE, TYPE III 4" LINE (YELLOW)
- NOTE 3 - PAVEMENT MARKING TAPE, TYPE III 5" SKIP DASH 10' - 30' (WHITE)
- NOTE 4 - TEMPORARY PAVEMENT MARKING, LINE 6" (WHITE)
- NOTE 5 - TEMPORARY PAVEMENT MARKING, LINE 6" (YELLOW)

**LEGEND:**

- TRAFFIC MOVEMENT
- DRUM WITH MONO-DIRECTIONAL STEADY BURNING LIGHT
- VERTICAL PANEL (POST MOUNTED)
- VERTICAL BARRICADE WITH BI-DIRECTIONAL STEADY BURNING LIGHT ON TLW SECTIONS AND MONO-DIRECTIONAL STEADY BURNING LIGHT ON ONE WAY AND MULTI-LANE SECTIONS, 50 FOOT C-C IN TANGENT SECTIONS, 20 FOOT C-C IN TAPERS.
- PAVEMENT MARKING TAPE, TYPE III (SEE PLANS FOR LINE COLOR)
- PAVEMENT REMOVAL / WORK ZONE AREA
- TEMPORARY PAVEMENT / TEMPORARY AGGREGATE
- TEMPORARY CONCRETE BARRIER (WITH REFLECTORS ON TOP AND SIDE FACING TRAFFIC)

TYLIN INTERNATIONAL

USER NAME  
PLOT SCALE  
PLOT DATE

DESIGNED - JDF  
DRAWN - JDF  
CHECKED - JPM  
DATE - 05/10/2013

REVISED - 10/18/2013  
REVISED - 12/04/2013  
REVISED

STATE OF ILLINOIS  
DEPARTMENT OF TRANSPORTATION

STUENKEL ROAD AT I-57 RIDGELAND AVENUE TO CENTRAL AVENUE  
MOT TYPICAL SECTIONS - STUENKEL & CENTRAL STAGE 2B

SCALE: N.T.S. SHEET 3 OF 5 SHEETS STA. TO STA.

F.A.I. RTE. 57	SECTION 99-1HB-R1	COUNTY WILL	TOTAL SHEETS 679	SHEET NO. 102
				CONTRACT NO. 60L69
ILLINOIS FED. AID PROJECT				