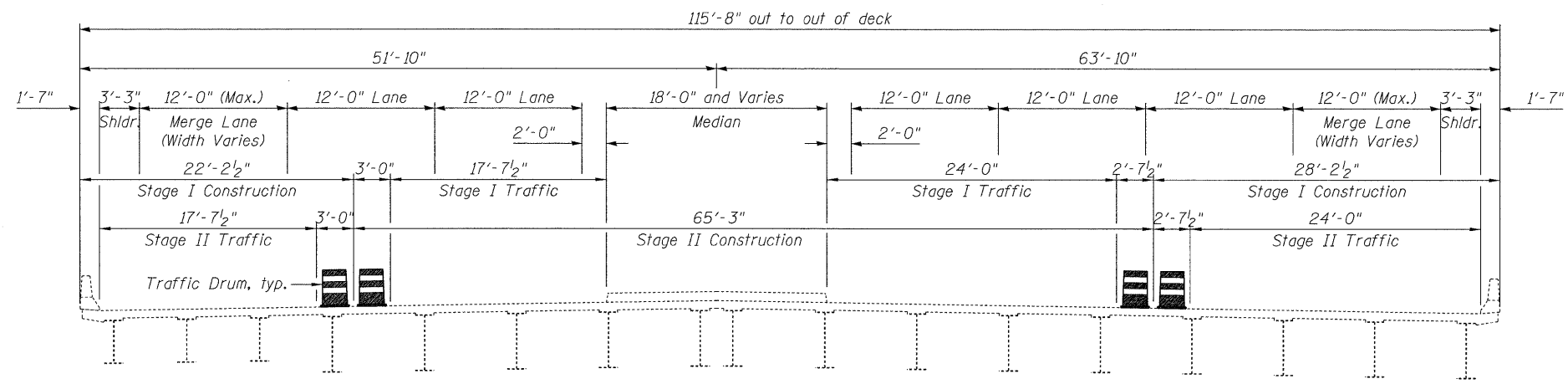


**PLAN**

**GENERAL NOTES**

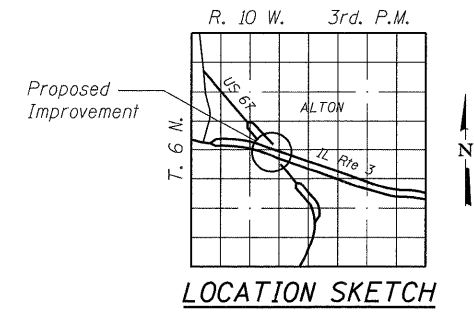
A Concrete Sealer shall be applied to the surfaces of the deck, median and parapets (See Special Provisions for BRIDGE DECK CONCRETE SEALER). Existing pavement markings shall be temporarily covered prior to application of the deck surface treatment, to prevent the material from being applied over the markings. The temporary covering shall be removed after the application of the deck surface treatment and prior to opening to traffic. Cost included with Concrete Sealer.



**CROSS SECTION**

**TOTAL BILL OF MATERIAL**

ITEM	UNIT	SUPER	SUB	TOTAL
Concrete Sealer	Sq. Ft.	56,615		56,615



**GENERAL PLAN**  
**IL RTE 3 (HOMER ADAMS PARKWAY)**  
**OVER U.S. 67**  
**F.A.P. 789**  
**SECTION DIST. 8 BRIDGE DECK 2011-4**  
**MADISON COUNTY**  
**STATION 131+53.00**  
**STRUCTURE NO. 060-0118**

	PROJECT NO. 09025-4	F.A.P. RTE.	SECTION	COUNTY	TOTAL SHEETS	SHEET NO.
	SCALE	SHEET NO. 6	VAR. DIST 8 BRIDGE DECK 2011-4	MADISON	29	12
	DATE 8/16/10	23 SHEETS	CONTRACT NO. 76E44			
DESIGN BY MCB	FED. ROAD DIST. NO.		ILLINOIS FED. AID PROJECT			
DRAWN BY CFC/MMML						
CHECKED BY						