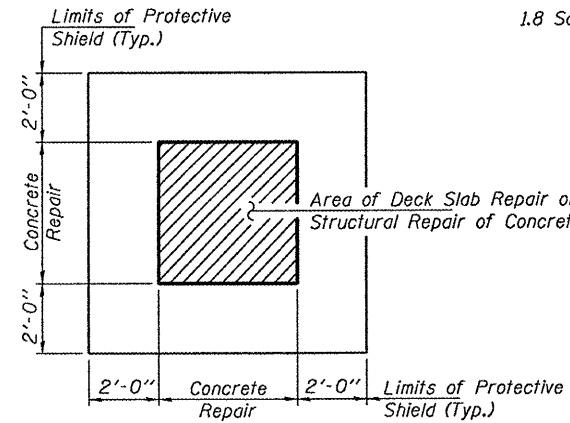
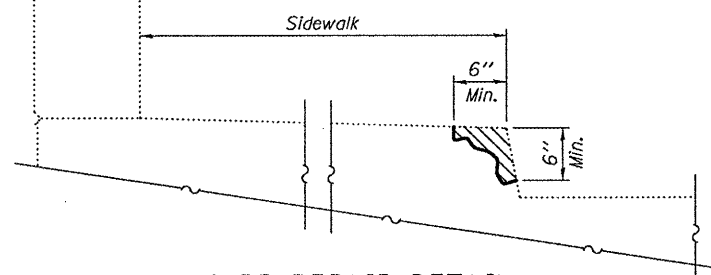


- Deck Slab Repair (Partial)
- Structural Repair of Concrete ≤ 5 inches
- Deck Slab Repair (Full Depth, Type II)

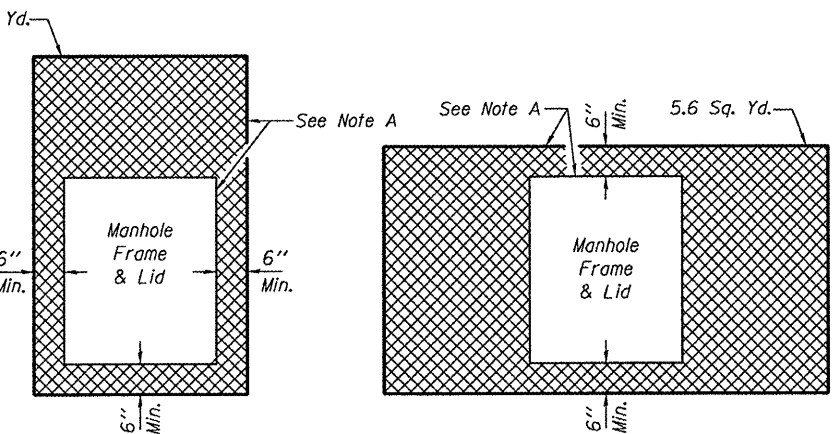
**PLAN**  
 \* Entrance to CTA shall be maintained at all times. Use Standard 701801.

**Note A:**  
 Remove the existing manhole frame and cover and the adjacent deteriorated concrete sidewalk. The anticipated removal limits for concrete removal are shown on this sheet. Install at the same location a rectangular 30" x 36" manhole frame, bolted/gasketed lid with steel butt hinge. The reference for the manhole is Neenah R-6665-IHH or equivalent manhole from a different manufacturer. The work for finishing and installing this manhole shall be paid for at the contract unit price Each, for Manhole, Special, Frame and Lid. The manhole frame and lid shall be installed as per the manufacturer's recommendations. The lid shall be installed so that the lid is flush with the surrounding concrete sidewalk.

**CURB REPAIR DETAIL**  
 (Structural Repair of Concrete ≤ 5 inches)  
 (32 linear feet on S. Appr. Pavement)  
 (12 linear feet on N. Appr. Pavement)

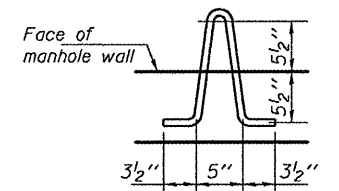


**TYPICAL PROTECTIVE SHIELD DETAIL**



**REPAIR ON NORTH APPROACH PAVEMENT**

**REPAIR ON SOUTH APPROACH PAVEMENT**



**PULLING IRON DETAIL**

**BARS b2(E) THRU b4(E)**

Bar	A
b2(E)	5'-0"
b3(E)	4'-6"
b4(E)	3'-3"

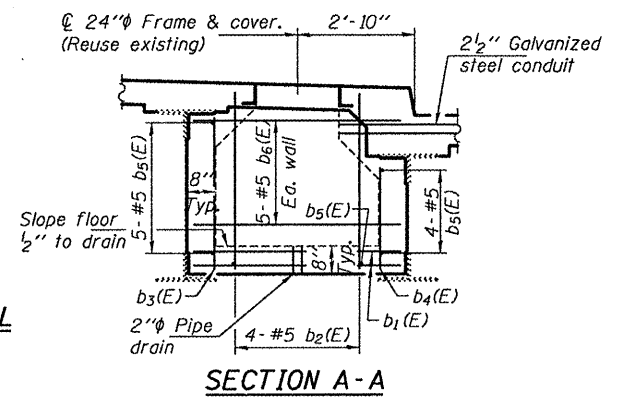
Note:  
 Field cut longitudinal bars and fan transverse bars over manhole opening.

**24"φ MANHOLE BILL OF MATERIAL**

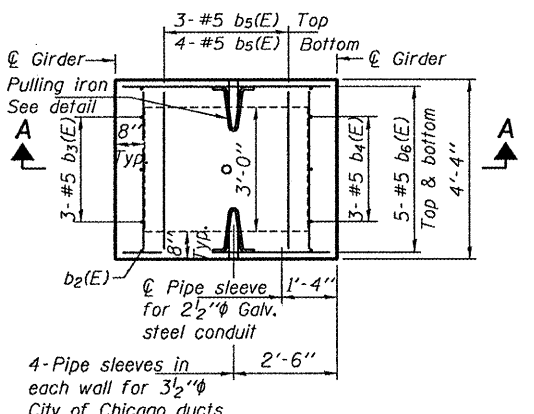
Bar	No.	Size	Length	Shape	
b2(E)	8	#5	6'-0"	L	
b3(E)	3	#5	5'-6"	L	
b4(E)	3	#6	4'-3"	L	
b5(E)	16	#5	4'-0"	—	
b6(E)	20	#5	5'-0"	—	
Reinforcement Bars, Epoxy Coated				Pound	250

**BILL OF MATERIAL**

ITEM	UNIT	QUANTITY
Deck Slab Repair (Partial)	Sq. Yd.	1.8
Structural Repair of Concrete ≤ 5 inches	Sq. Ft.	47
Deck Slab Repair (Full Depth, Type II)	Sq. Yd.	7.4
Manhole, Special, Frame and Lid	Each	2



**SECTION A-A**



**24"φ MANHOLE PLAN**

Cost of concrete included with Concrete Superstructure

DESIGNED - MKC  
 CHECKED - ---  
 DRAWN - Kyle M. Steffen  
 CHECKED - MKC ---

EXAMINED \_\_\_\_\_ DATE - JANUARY 13, 2011  
 PASSED \_\_\_\_\_ ENGINEER OF STRUCTURAL SERVICES  
 \_\_\_\_\_ ENGINEER OF BRIDGES AND STRUCTURES

**STATE OF ILLINOIS DEPARTMENT OF TRANSPORTATION**

**DECK PATCHING DETAILS SN 016-0235**

SHEET NO. 6 OF 10 SHEETS

F.A.I. RTE. 290	SECTION 2010-066-1	COUNTY COOK	TOTAL SHEETS 19	SHEET NO. 11
ILLINOIS FED. AID PROJECT			CONTRACT NO. 60L48	

**OGDEN AVENUE OVER F.A.I. ROUTE 290**