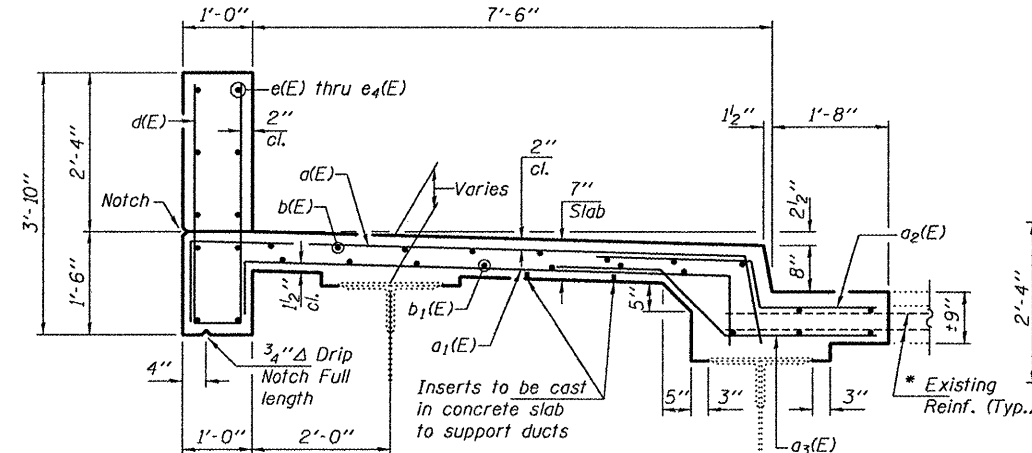
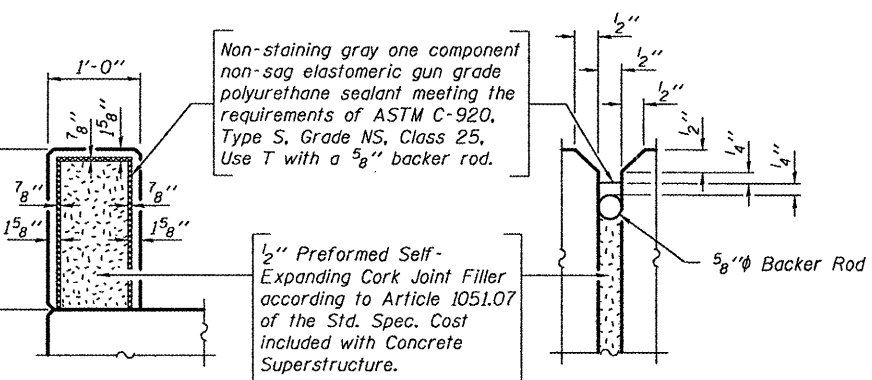


**SECTION C-C**

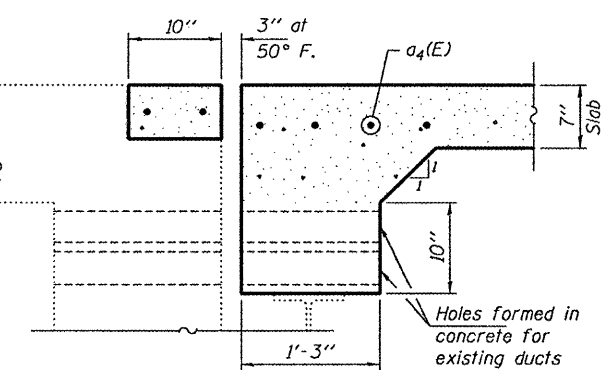
\* Existing reinforcement bars extending into the removal area shall be cleaned, straightened and incorporated into the new construction. Any reinforcement bars that are damaged during concrete removal shall be replaced with an approved bar splicer or anchorage system. Cost included with Concrete Removal.



**SECTION D-D**



**PARAPET JOINT DETAILS**  
(See sheet 5 of 10 for Parapet Joint spacing)



**SECTION E-E**

**OGDEN AVENUE OVER  
F.A.I. ROUTE 290**

DESIGNED - MKC	EXAMINED - <i>James F. [Signature]</i>	DATE - JANUARY 13, 2011	<b>STATE OF ILLINOIS DEPARTMENT OF TRANSPORTATION</b>	<b>CONCRETE REPLACEMENT DETAILS SN 016-0235</b>	F.A.I. RTE. 290	SECTION 2010-066-1	COUNTY COOK	TOTAL SHEETS 19	SHEET NO. 9
CHECKED - ADY	PASSED - <i>[Signature]</i>				SHEET NO. 4 OF 10 SHEETS	CONTRACT NO. 60L48	ILLINOIS FED. AID PROJECT		