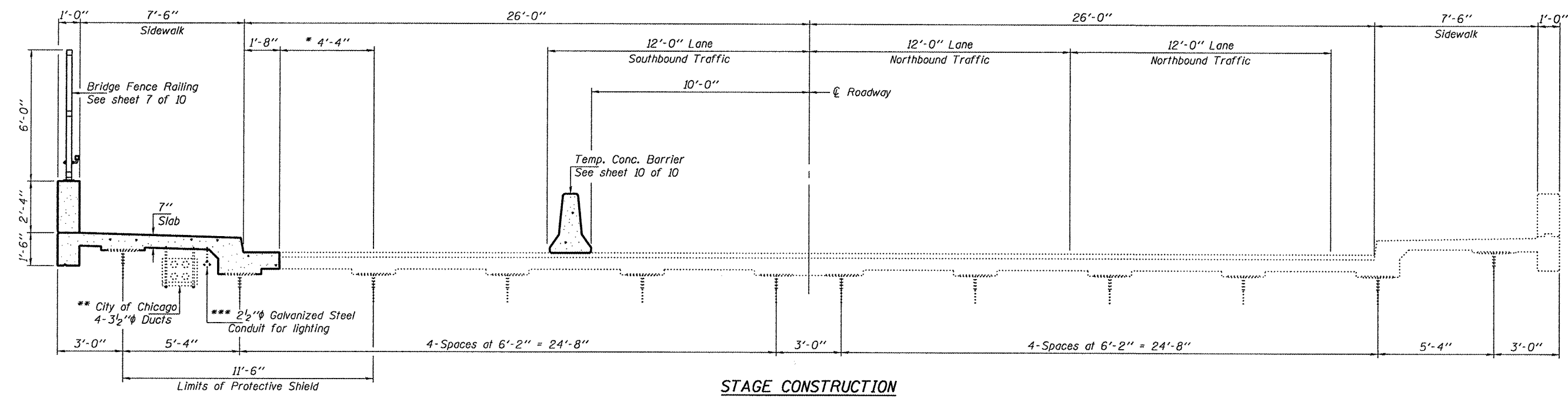


\* The maximum allowed load that can be applied to this cantilever slab will be 500 pounds per linear foot of slab. This maximum allowed load includes any combination of dead or live loads. A point load of 1500 pounds will be allowed due to the anticipated distribution of the point load over a distance of 3 feet. Anticipated loading conditions shall be submitted to the Engineer prior to the start of the removal phase.

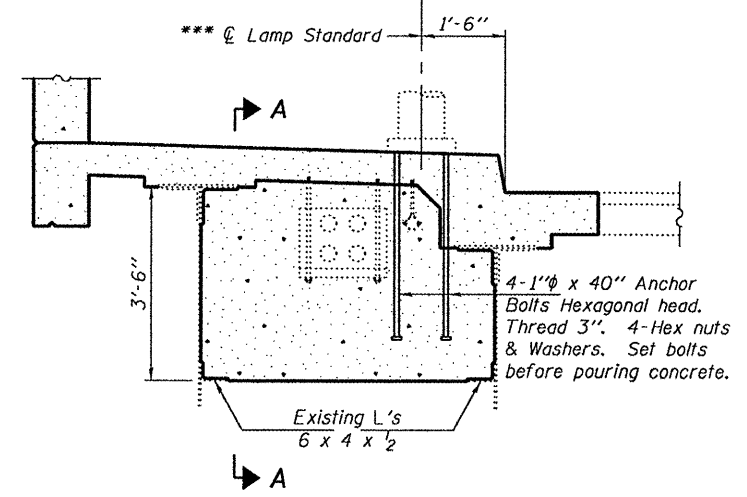
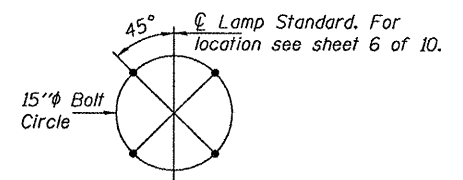


**STAGE CONSTRUCTION**  
(Looking North)

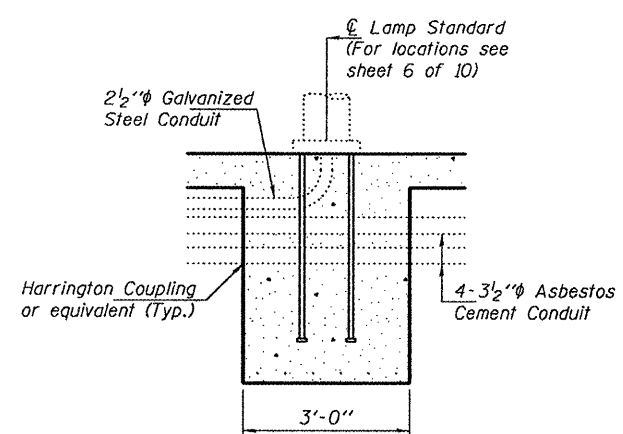
\*\* The Contractor is responsible for providing a support system for the ducts in their existing position. Care shall be taken not to damage the existing asbestos material (ACM) ducts. The Contractor shall make the asbestos material (ACM) ducts non-friable before handling. Any damage to the ducts must be repaired at the Contractor's expense. Inserts to permanently support the ducts shall be cast into the proposed sidewalk slab. No drilling or epoxy grouting will be allowed in the proposed sidewalk slab in order to support the ducts. All labor and material cost of the installation and removal of temporary support system for the ducts and installation of inserts for permanent support is to be paid for at the contract unit price LUMP SUM for Conduit Support System.

Areas of existing protective shielding may need to be removed and reinstalled in order to access the area under the west sidewalk to install the ducts support. The protective shielding under the west sidewalk shall be removed after the sidewalk is replaced. Cost is included in cost of Protective Shielding.

\*\*\* The contractor is responsible for the temporary support, protection and re-attachment using cast inserts of the electrical conduit supplying power to the lamp standards under the sidewalk. The contractor shall coordinate with the City of Chicago for the power shut-off and reconnect as well as the removal, safe storage and reinstallation of the lamp standards. All labor and materials necessary to complete this work, including related electrical work on 24" manhole (see sheet 6 of 10), is included in the cost of Concrete Superstructure.



**SECTION THRU SIDEWALK AT LIGHT STANDARD**



**SECTION A-A**

**OGDEN AVENUE OVER F.A.I. ROUTE 290**

DESIGNED - MKC	EXAMINED - <i>Joanne F. [Signature]</i>
CHECKED - ADY	PASSED - <i>Carl [Signature]</i>
DRAWN - Kyle M. Steffen	
CHECKED - MKC ADY	

DATE - JANUARY 13, 2011	ACTING ENGINEER OF STRUCTURAL SERVICES
	ACTING ENGINEER OF BRIDGES AND STRUCTURES

**STATE OF ILLINOIS DEPARTMENT OF TRANSPORTATION**

**STAGE CONSTRUCTION & LIGHT POST DETAILS**  
SN 016-0235

F.A.I. RTE. 290	SECTION 2010-066-1	COUNTY COOK	TOTAL SHEETS 19	SHEET NO. 7
CONTRACT NO. 60L48			ILLINOIS FED. AID PROJECT	

SHEET NO. 2 OF 10 SHEETS