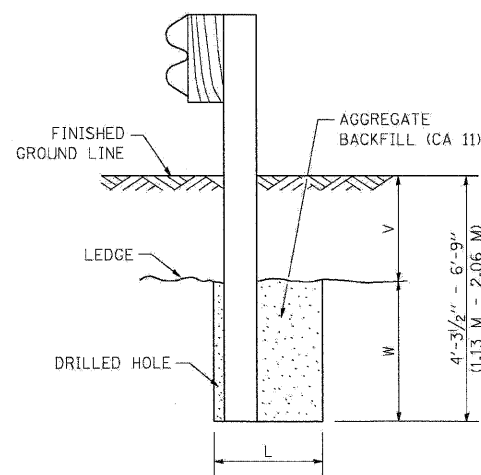


PLAN

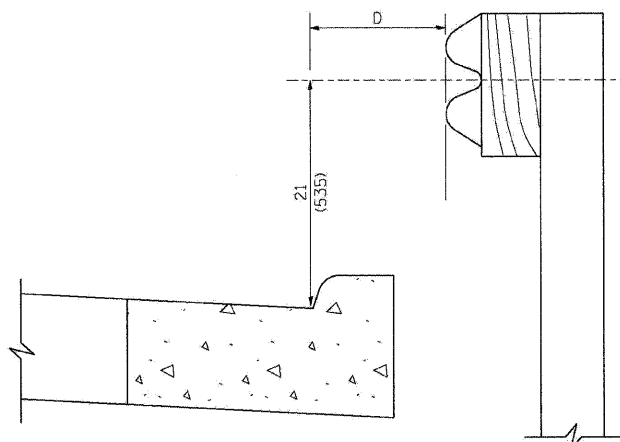


NOTE:

LEDGE LINE IS TOP OF ROCK LEDGE OR HARD SLAG FILL.

ELEVATION

FOOTING FOR POST WHEN IMPERVIOUS MATERIAL IS ENCOUNTERED



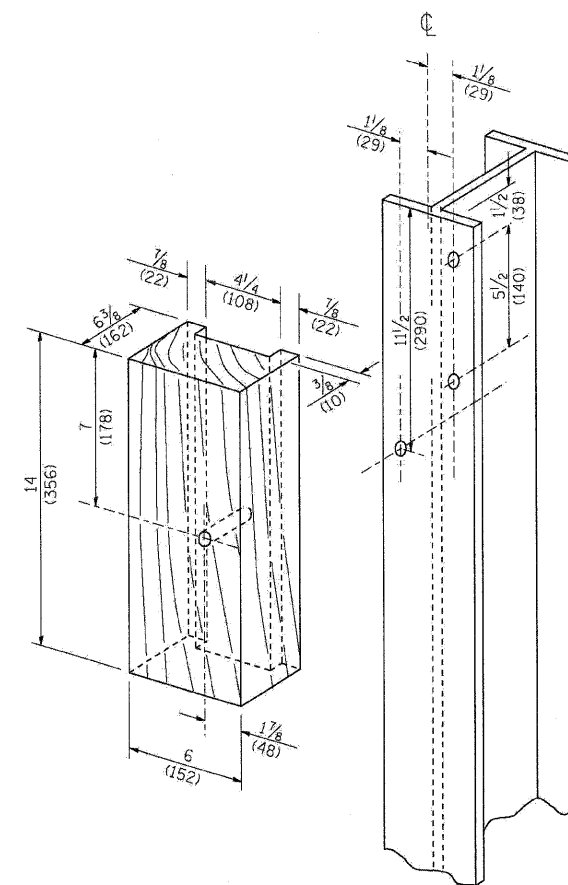
NOTE:

IF IT IS NECESSARY FOR D TO BE MORE THAN 12 (300) AND LESS THAN 10'-0" (3.0 M) TYPE M-2 (M-5) CURB AND GUTTER (STD. 606001) SHALL BE USED IN FRONT OF AND IN ADVANCE OF THE GUARDRAIL.

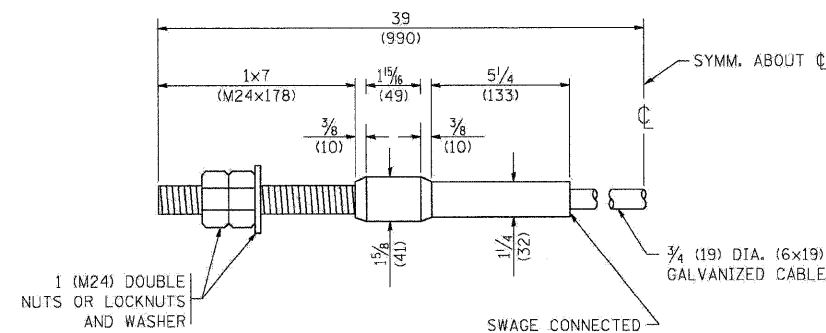
GUARDRAIL PLACED BEHIND CURB

(D = 0 DESIRABLE TO 12 (300) MAXIMUM)

V	W	L	
		STEEL POST	WOOD POST
0 - 18 (0 - 460)	24 (610)	21 (530)	23 (580)
>18 - 41.5 (> 460 - 825)	12 (305)	8 (203)	10 (250)
>41.5 - 53.5 (> 825 - 1.13 M)	12 - 0 (350 - 0)	8 (203)	10 (250)



WOOD BLOCK-OUT AND STEEL POST DETAILS



CABLE ASSEMBLY

(40,000 LBS (18,100 KG) MIN. BREAKING STRENGTH)  
TIGHTEN TO TAUT TENSION

**benesch**

**STATE OF ILLINOIS  
DEPARTMENT OF TRANSPORTATION**

**REMOVE AND REERECT GUARDRAIL**

F.A.I. RTE.	SECTION	COUNTY	TOTAL SHEETS	SHEET NO.
290	(2525, ETC., 2727)RS-B	COOK	201	193
FED. ROAD DIST. NO. [ILLINOIS] FED. AID PROJECT			CONTRACT NO. 60K11	

SCALE: N.T.S. SHEET NO. 12 OF 20 SHEETS STA. TO STA.

FILE NAME =	DESIGNED - AJP	REVISED -
...prpIn_ABC_C3_DL_BM-21D.dgn	DRAWN - TMB	REVISED -
USER NAME = majewski	CHECKED - JMM	REVISED -
PLOT DATE = 1/25/2010	DATE - 1/25/10	REVISED -