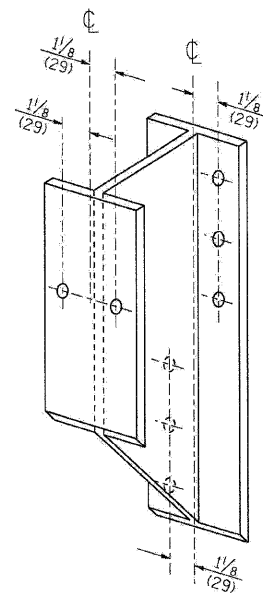
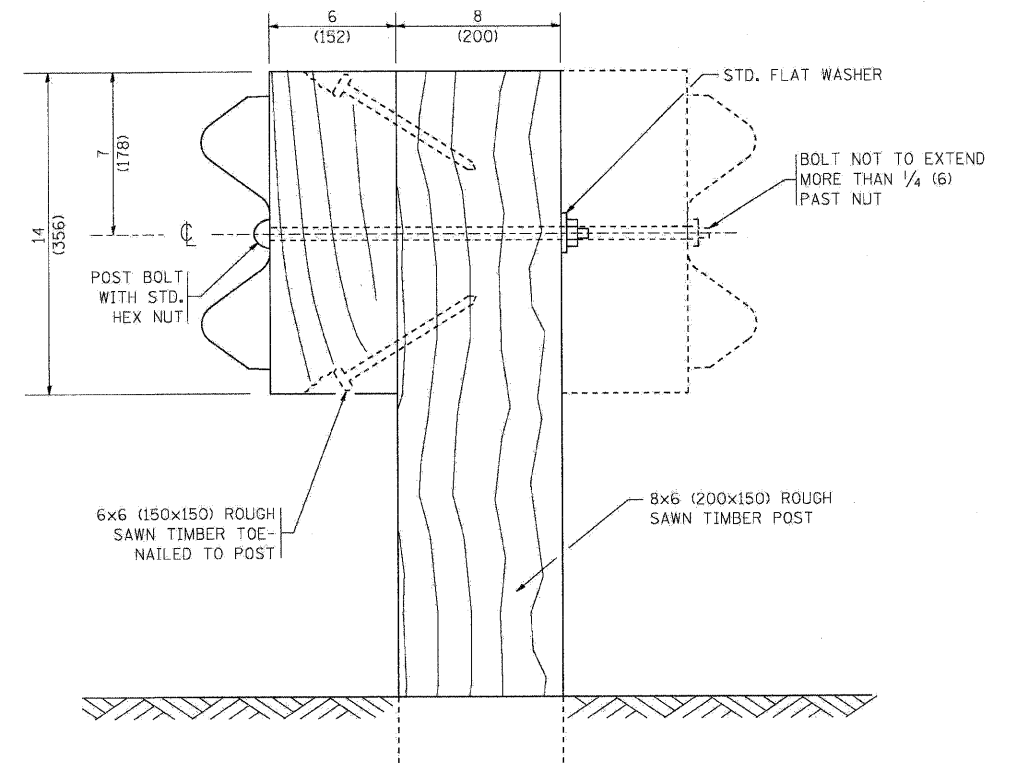


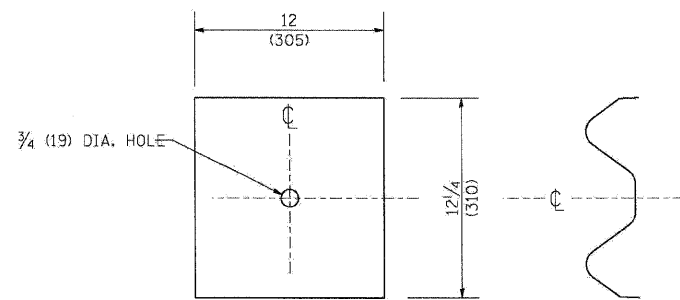
STEEL POST CONSTRUCTION



STEEL BLOCK-OUT DETAIL



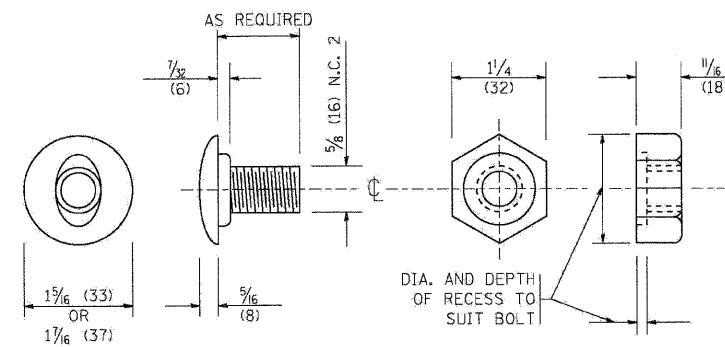
WOOD POST CONSTRUCTION



NOTE:

PLATE A SHALL BE PLACED BETWEEN RAIL ELEMENT AND BLOCK-OUT AT NON-SPLICE MOUNTING POINTS ONLY WHEN STEEL BLOCK-OUTS ARE USED.

PLATE A



POST OR SPLICE BOLT & NUT

FILE NAME =	DESIGNED - AJP	REVISED -	benesch	STATE OF ILLINOIS DEPARTMENT OF TRANSPORTATION	REMOVE AND REERECT GUARDRAIL			F.A.I. RTE.	SECTION	COUNTY	TOTAL SHEETS	SHEET NO.
...prpln-ABC-C3.01_BM-21B.dgn	DRAWN - TMB	REVISED -			290	(2525, ETC., 2727)RS-8	COOK	201	191			
USER NAME = jmajewski	CHECKED - JMM	REVISED -			CONTRACT NO. 60K11							
PLOT DATE = 1/25/2010	DATE - 1/25/10	REVISED -			FED. ROAD DIST. NO. ILLINOIS FED. AID PROJECT							
					SCALE: N.T.S.	SHEET NO. 10 OF 20 SHEETS	STA.	TO STA.				