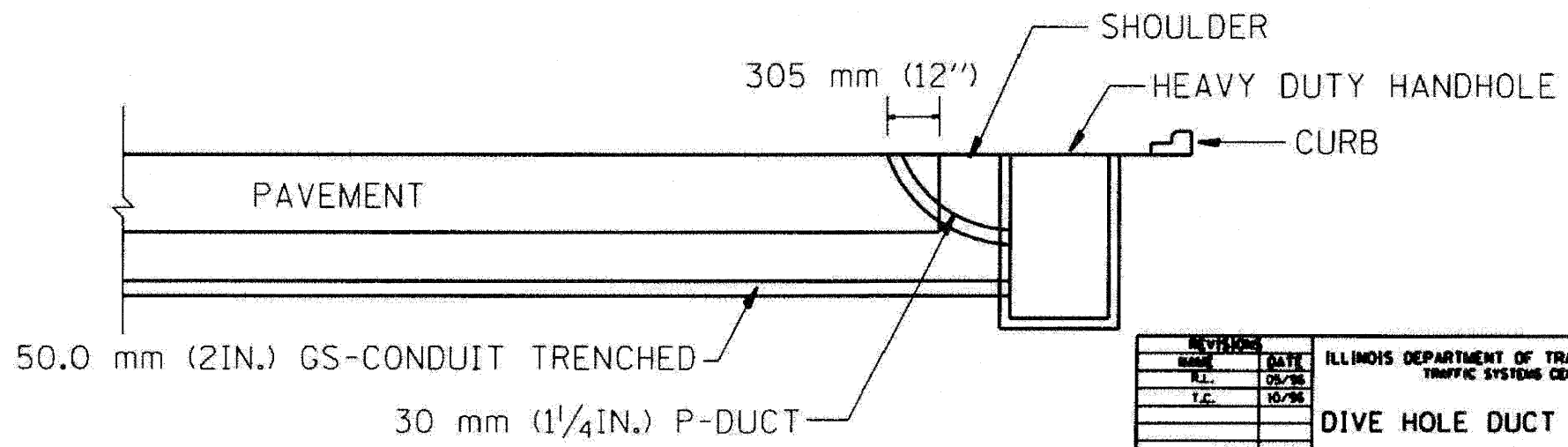
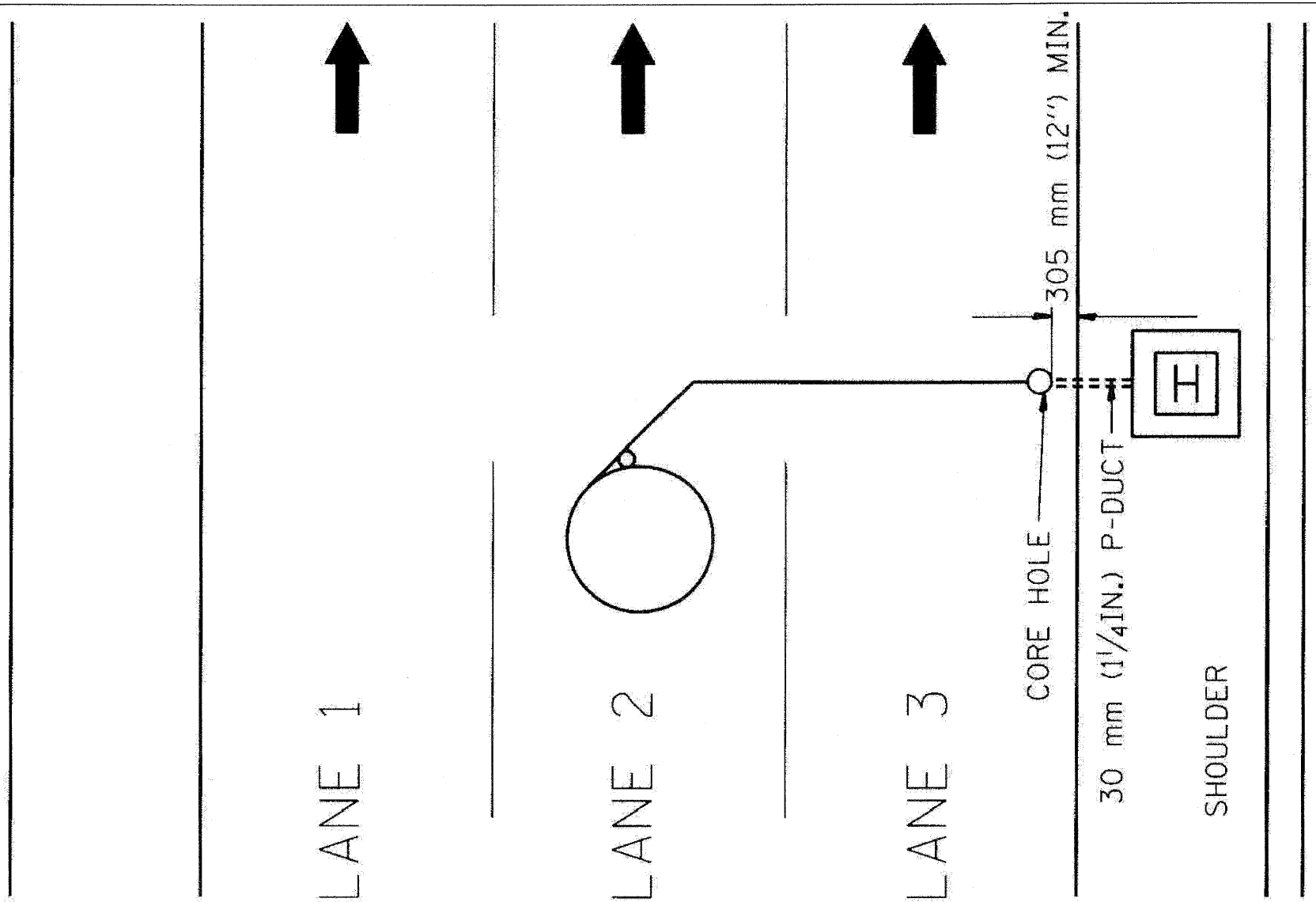


F.A.I. RTE.	SECTION	COUNTY	TOTAL SHEETS	SHEET NO.
STA. _____		TO STA. _____		
FED. ROAD DIST. NO. _____		ILLINOIS FED. AID PROJECT _____		



REVISIONS	
NO.	DATE
1.	05/98
2.	10/98

ILLINOIS DEPARTMENT OF TRANSPORTATION
TRAFFIC SYSTEMS CENTER

DIVE HOLE DUCT SYSTEM

SCALE: NOT NONE
DATE 11/7/98

DRAWN BY: G.M.
CHECKED BY: R.L.

TRAFFIC SYSTEMS CENTER (TY-1TSC-418#8)

FILE NAME =	DESIGNED - GHT	REVISED -
...\\prp\in\ABC\C3_TS_DET_13.dgn	DRAWN - DMS	REVISED -
USER NAME = jnajewski	CHECKED - MPM	REVISED -
PLOT DATE = 1/25/2010	DATE = 1/25/10	REVISED -

benesch

STATE OF ILLINOIS
DEPARTMENT OF TRANSPORTATION

TRAFFIC SYSTEM CENTER DETAIL SHEETS	
SCALE: N.T.S.	SHEET NO. 21 OF 23 SHEETS
STA. _____	TO STA. _____

F.A.I. RTE.	SECTION	COUNTY	TOTAL SHEETS	SHEET NO.
290	(2525, ETC., 2727)RS-8	COOK	201	179
FED. ROAD DIST. NO. _____		ILLINOIS FED. AID PROJECT _____		