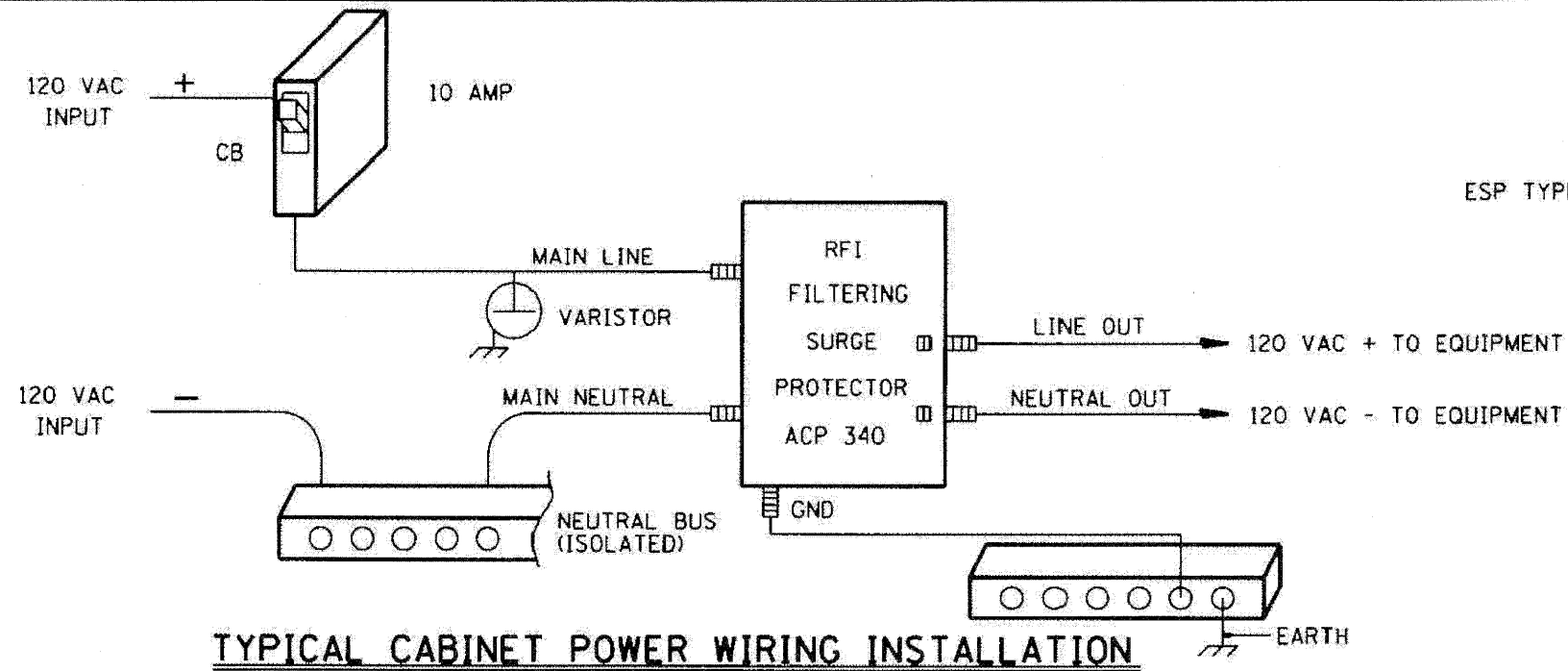
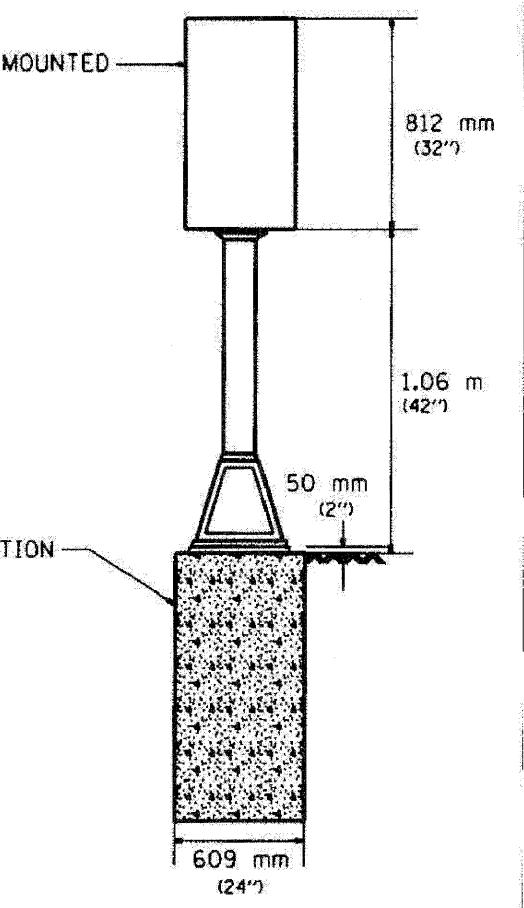
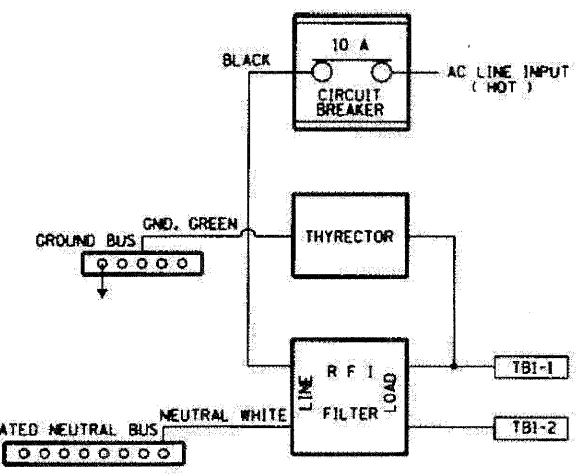
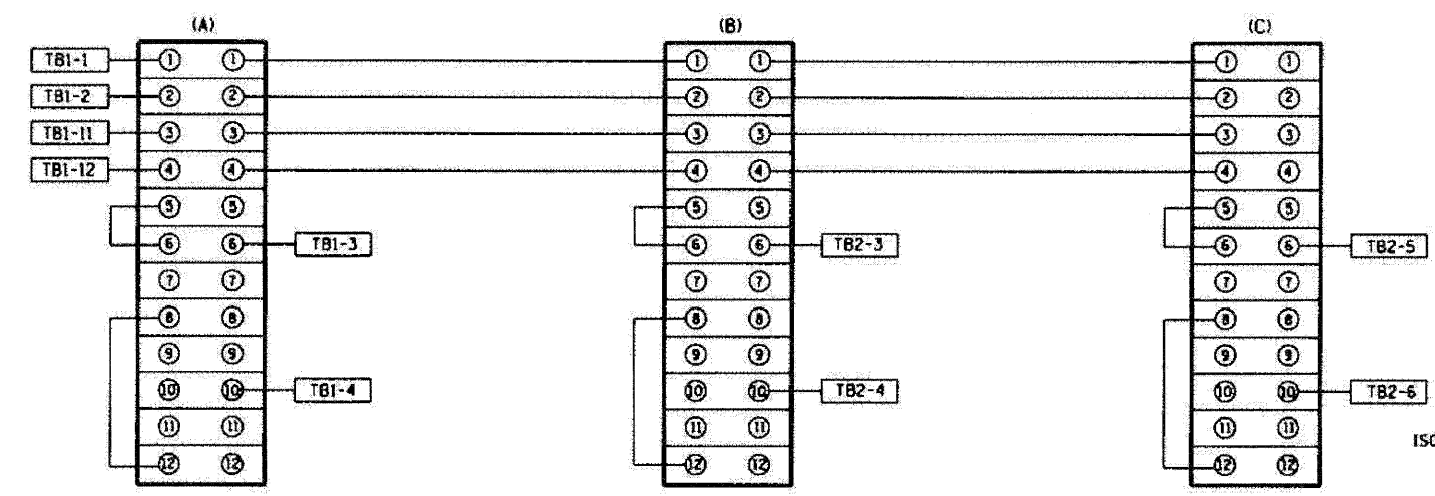


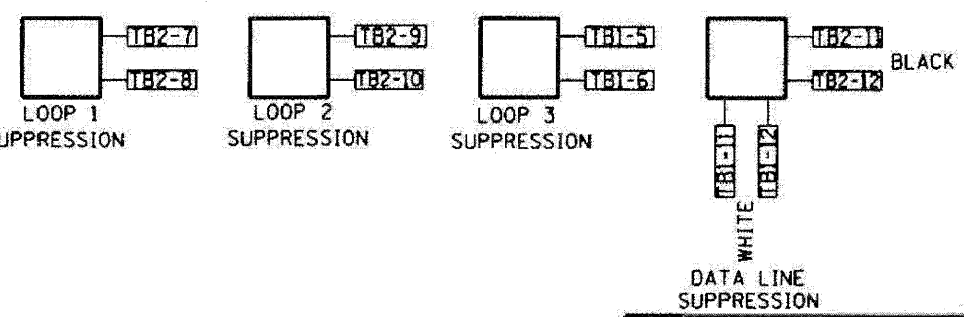
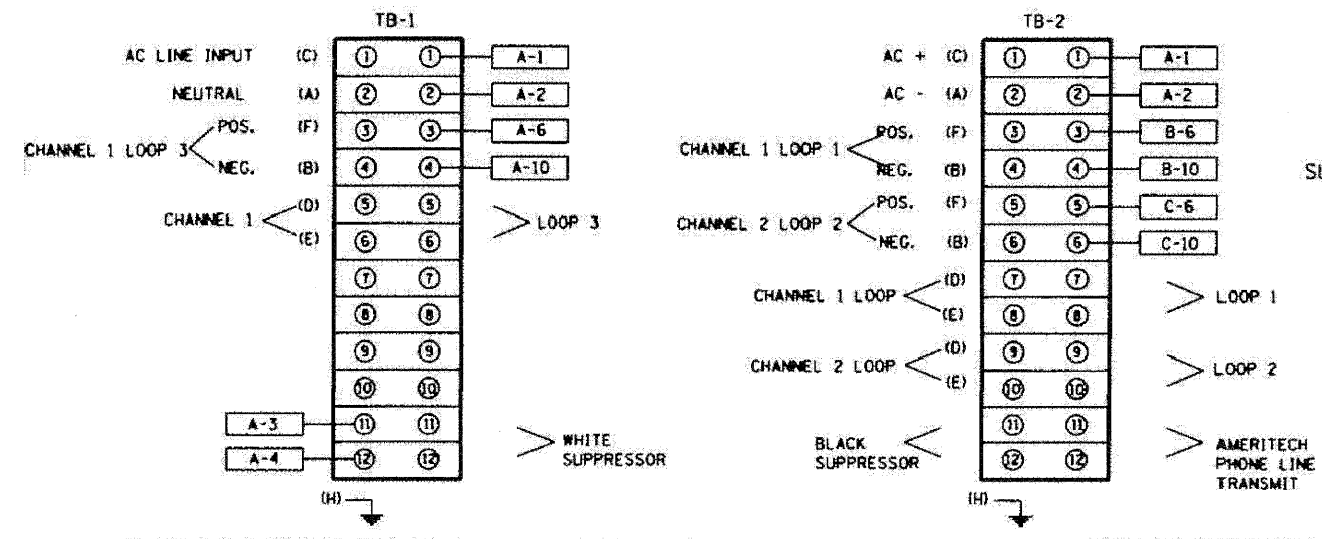
F.A.I. RTE.	SECTION	COUNTY	TOTAL SHEETS	SHEET NO.
STA.	TO STA.			
FED. ROAD DIST. NO.	ILLINOIS FED. AID PROJECT			



TYPICAL CABINET POWER WIRING INSTALLATION



TYPE 2 CABINET INSTALLATION



REVISION	DATE
T.C.	5/94
R.L.	3/95
R.L.	10/96
T.C.	5/98
R.L.	3/99
R.L.	1/99

ILLINOIS DEPARTMENT OF TRANSPORTATION
 TRAFFIC SYSTEMS CENTER
TYPE II CABINET WIRING
 SCALE: NONE
 DATE: 4-21-94
 DRAWN BY: G.M.
 CHECKED BY: T.C.

TRAFFIC SYSTEMS CENTER (TY-1TSC-400*5)

FILE NAME =	DESIGNED - GHT	REVISED -
USER NAME = tblank	DRAWN - TMB	REVISED -
PLLOT DATE = 1/25/2010	CHECKED - MPM	REVISED -
	DATE - 1/25/10	REVISED -

benesch

STATE OF ILLINOIS
 DEPARTMENT OF TRANSPORTATION

TRAFFIC SYSTEMS CENTER DETAIL SHEETS	
SCALE: N.T.S.	SHEET NO. 4 OF 17 SHEETS
STA.	TO STA.

F.A.I. RTE.	SECTION	COUNTY	TOTAL SHEETS	SHEET NO.
290	(3131, ETC., 3435)RS-6	COOK	215	186
FED. ROAD DIST. NO.		ILLINOIS FED. AID PROJECT		