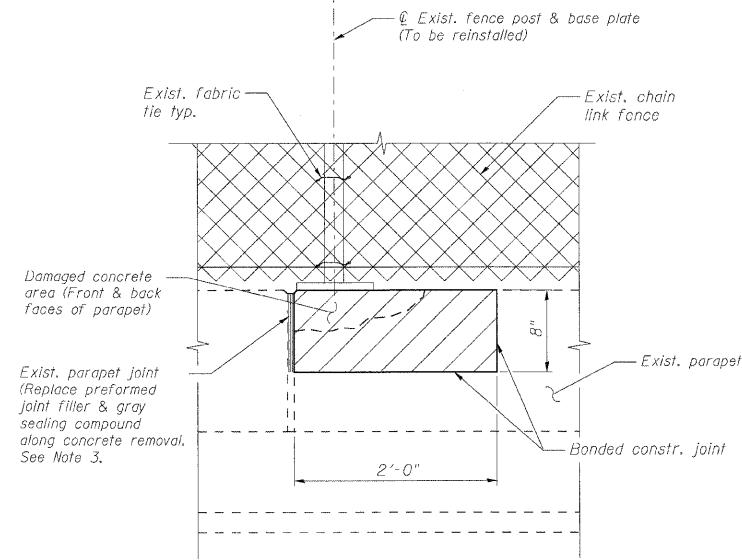
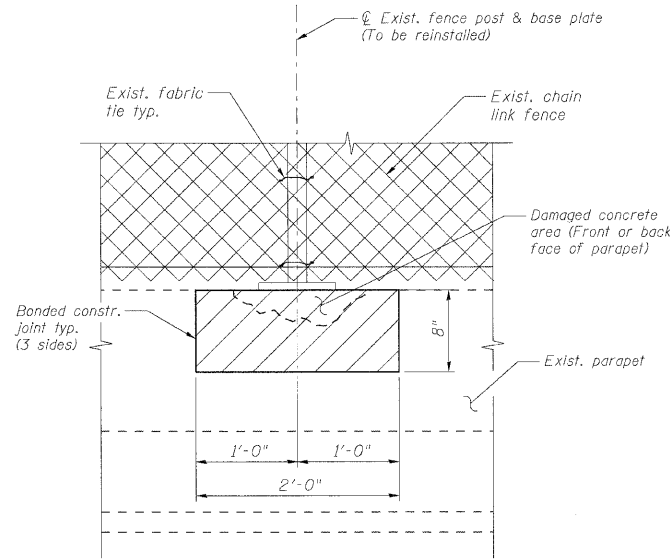



STATE OF ILLINOIS
DEPARTMENT OF TRANSPORTATION

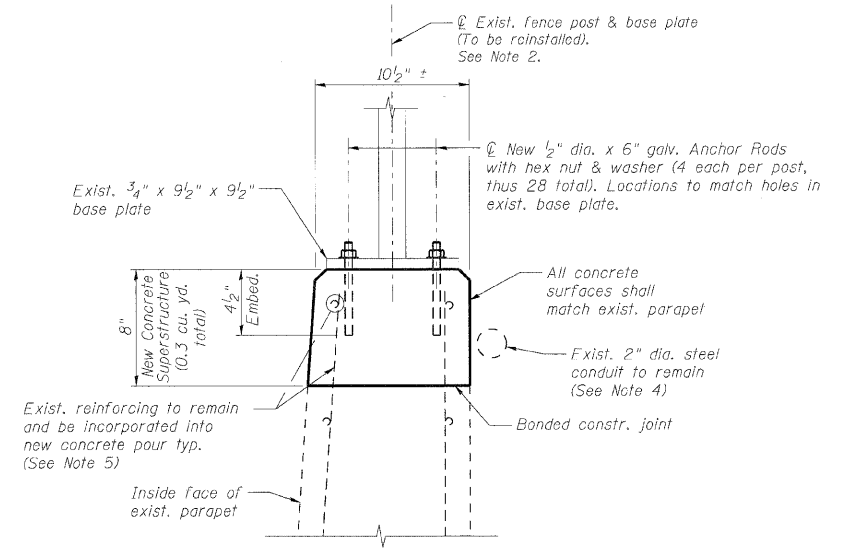


INSIDE ELEVATION - REPAIR AT PARAPET JOINT
(2 Locations)



INSIDE ELEVATION - REPAIR AWAY FROM PARAPET JOINT
(5 Locations)

 Limits of Concrete Removal & Replacement (See Note 6)



TYPICAL SECTION AT PARAPET REPAIR

Notes:

1. Work this sheet with sheets 1 and 4.
2. The existing fence post and base plate have twisted, causing localized damage to the existing concrete parapet and several anchor rods. The existing fence post and base plate shall be removed and reinstalled with the new concrete parapet repair. The fence post and base plate shall be realigned and centered across the parapet to match the existing non-damaged fence posts and base plates. The new anchor rods shall be cast-in-place. Drilling and setting of the anchor rods is prohibited.
3. The existing parapet joint shall be replaced using a 1/2" Preformed Self-Expanding Cork Joint Filler according to Article 105L07 of the Std. Spec., and non-staining gray one component non-sag elastomeric gun grade polyurethane sealant meeting the requirements of ASTM C-290, Type S, Grade NS, Class 25, Use T, to match the existing joint installation.
4. The Contractor shall exercise extreme care with the existing steel conduit attached to the back face of the parapet to be removed, and to protect and support the conduit. The Contractor will be required to repair any damage done to the conduit to the satisfaction of the Engineer. No splicing will be allowed to any cable damage resulting from this work, instead the Contractor will be required to repair the entire span of any damaged cable at no additional cost to the Department.
5. Existing reinforcement bars extending into the concrete removal area shall be cleaned, straightened and incorporated into the new construction. Any reinforcement bars that are damaged during concrete removal shall be repaired or replaced with an approved bar splicer or anchorage system. Cost included with "Remove and Reinstall Chain Link Fence Post".
6. The Contractor shall ensure that all concrete parapet to be removed is contained and not allowed to fall into the Des Plaines River. If Protective Shield is necessary, then the cost shall be included in "Remove and Reinstall Chain Link Fence Post".
7. The cost of concrete removal, concrete superstructure, preformed joint filler, gray sealing compound, chain link fence fabric ties, threaded anchor rods, nuts and washers is included with "Remove and Reinstall Chain Link Fence Post". See Special Provision.

BILL OF MATERIAL

ITEM	UNIT	QUANTITY
Remove and Reinstall Chain Link Fence Post	Each	7

DESIGNED	-	KJN
CHECKED	-	KWS
DRAWN	-	RMG
CHECKED	-	KJN

benesch
alfred benesch & company
Engineers - Surveyors - Planners
205 North Michigan Avenue, Suite 2400
Chicago, Illinois 60601
312-565-0460 Job No. 10050

**CHAIN LINK FENCE POST
AND BRIDGE PARAPET REPAIRS
STRUCTURE NO. 016-0090**

SHEET NO. 5 5 SHEETS	F.A.I. RTE.	SECTION	COUNTY	TOTAL SHEETS	SHEET NO.
	290	(3131, ETC., 3435)RS-6	COOK	215	173
FED. ROAD DIST. NO.			ILLINOIS	FED. AID PROJECT	
CONTRACT NO. 60K10					