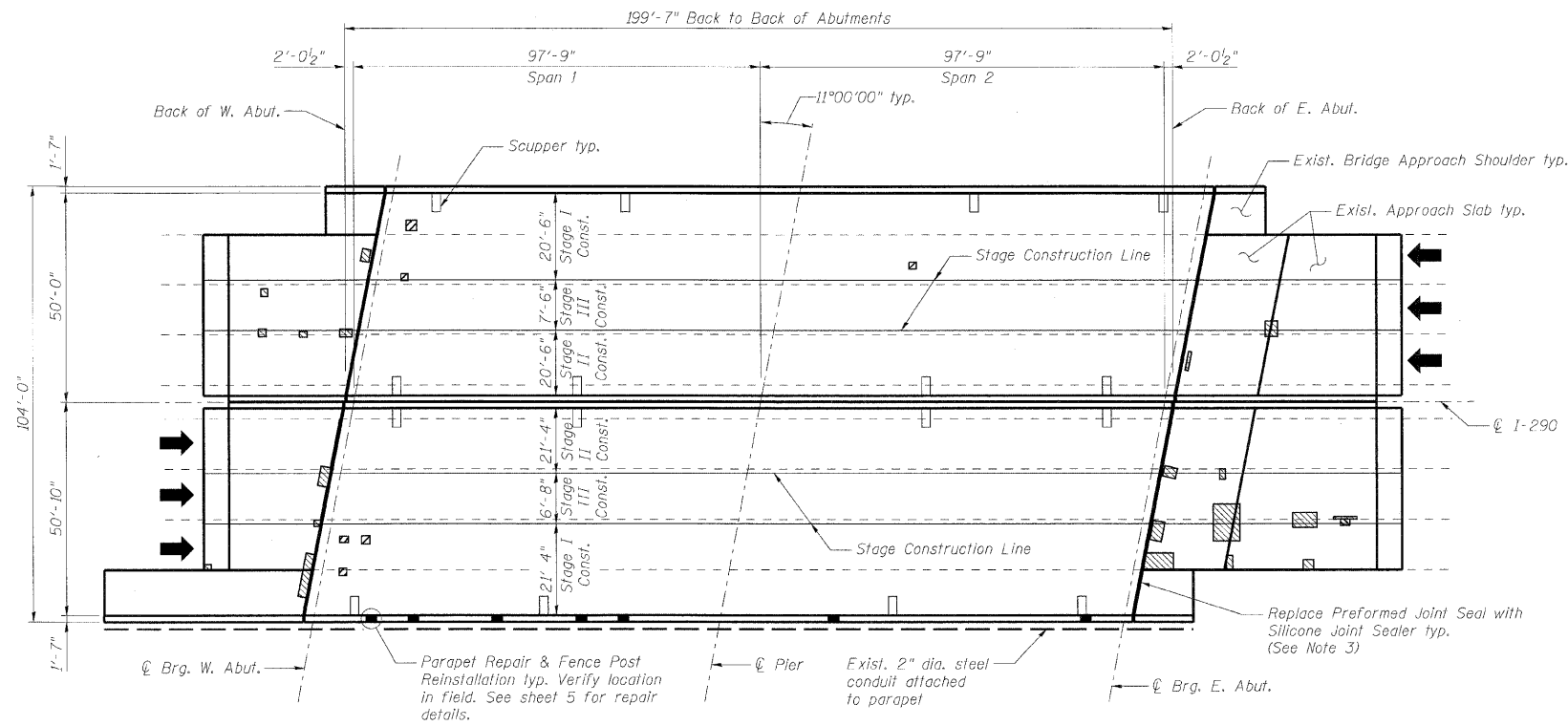


STATE OF ILLINOIS
DEPARTMENT OF TRANSPORTATION



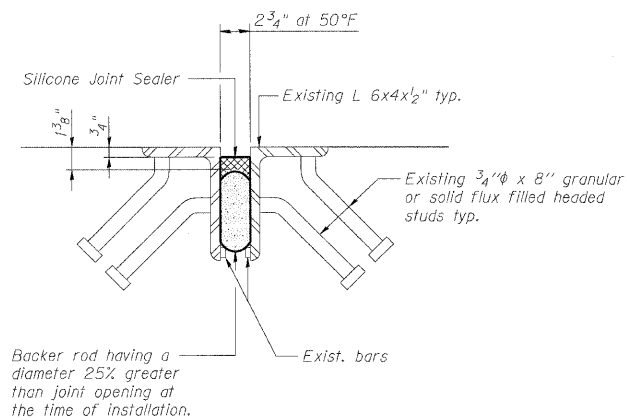
PLAN

Stage III Note:

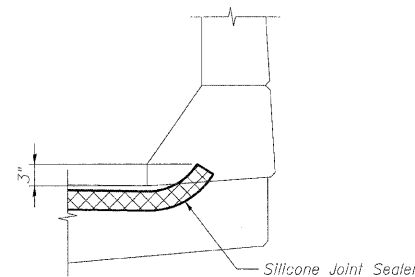
Bridge deck and approach slab repairs between Stage I and Stage II construction lines shall be performed over a weekend using IDOT District 1 Std. TC-25 Center Lane Closure. See Maintenance of Traffic Plans. Concrete for Stage III patching shall be Class PP-2.

BILL OF MATERIAL

| Symbol | Item | Unit | Quantity |
|--------|--------------------------------------|---------|----------|
| | Deck Slab Repair (Partial) | Sq. Yd. | 10.0 |
| | Approach Slab Repair (Partial Depth) | Sq. Yd. | 49.0 |
| | Silicone Joint Sealer | Foot | 199.5 |



SILICONE JOINT SEALER DETAIL



SILICONE JOINT SEALER TREATMENT AT PARAPET

Notes:

- Deck and approach slab repair areas are estimated based on visual inspection completed in June 2009. Actual repair areas and locations shall be determined by the Engineer and shown on As-Built plans.
- Deck drains (downspouts, floor drains and scuppers) shall be cleaned with the bridge deck prior to application of the Concrete Sealer. Cost of cleaning the deck drains is included with Concrete Sealer.
- The construction joint between the approach slab and backwall closure pour, adjacent to the existing preformed joint seal, shall be cleaned and sealed with hot-poured joint sealer according to Section 452 of the Std. Specifications. Cost included with "Concrete Sealer".
- Cost of Removal of existing preformed joint seal is included with Silicone Joint Sealer.

| | |
|----------|-----|
| DESIGNED | DMS |
| CHECKED | EFS |
| DRAWN | RMG |
| CHECKED | KJN |

**BRIDGE DECK AND APPROACH SLAB REPAIRS
STRUCTURE NO. 016-0090**

benesch

alfred benesch & company
Engineers • Surveyors • Planners
205 North Michigan Avenue, Suite 2400
Chicago, Illinois 60601
312-666-0450 Job No. 10060

| | | | | | |
|---------------------|-------------|---------------------------|--------------------|--------------|-----------|
| SHEET NO. 4 | F.A.I. RTE. | SECTION | COUNTY | TOTAL SHEETS | SHEET NO. |
| | 290 | (3131, ETC., 3435)RS-6 | COOK | 215 | 172 |
| 5 SHEETS | | | CONTRACT NO. 60K10 | | |
| FED. ROAD DIST. NO. | | ILLINOIS FED. AID PROJECT | | | |