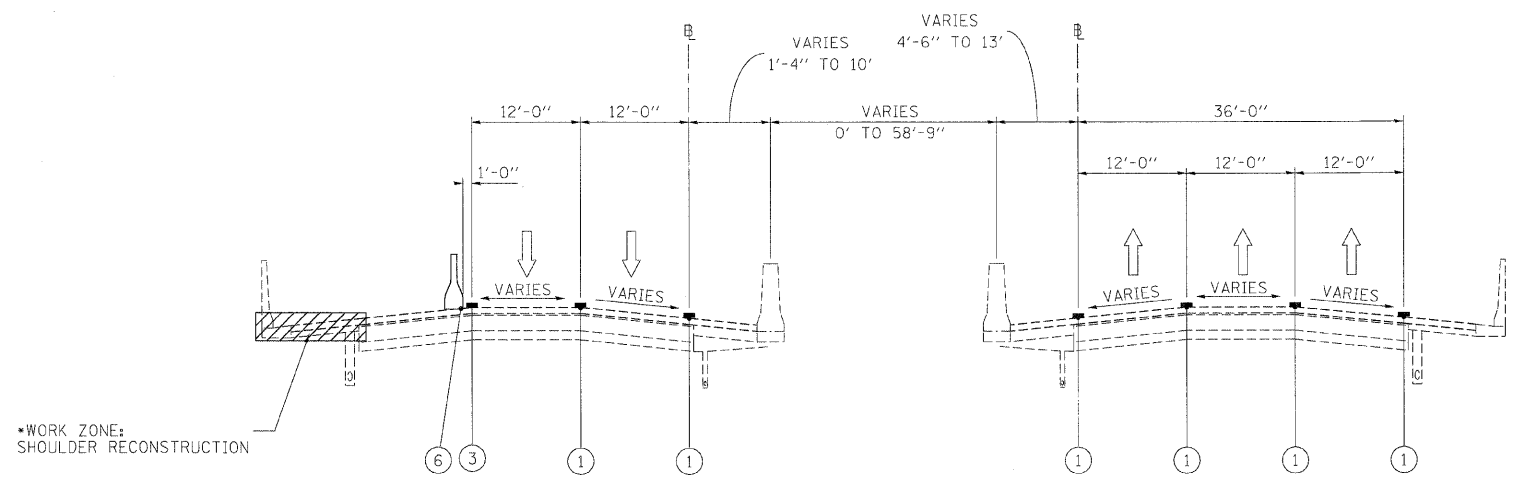


**WESTBOUND**  
STA 726+70 TO STA 770+00

**EASTBOUND**  
STA 727+58 TO STA 770+00

**I-290 MAINTENANCE OF TRAFFIC  
TYPICAL SECTION  
STAGE 1**



**WESTBOUND**  
\* WORK ZONE FROM  
STA 771+00 TO STA 856+00

**I-290 MAINTENANCE OF TRAFFIC  
TYPICAL SECTION  
STAGE 1**

**EASTBOUND**  
STA 770+00 TO STA 858+10

**LEGEND**

- ① EXISTING PAVEMENT MARKING
- ② WET REFLECTIVE TEMPORARY TAPE, - TYPE III, 4 INCH (YELLOW)
- ③ WET REFLECTIVE TEMPORARY TAPE, - TYPE III, 4 INCH (WHITE)
- ④ WET REFLECTIVE TEMPORARY TAPE, - TYPE III, 5 INCH (WHITE)
- ⑤ TEMPORARY PAVEMENT MARKING - LINE 6" (YELLOW) (ON BARRIER)
- ⑥ TEMPORARY PAVEMENT MARKING - LINE 6" (WHITE) (ON BARRIER)
- ⑦ WET REFLECTIVE TEMPORARY TAPE - TYPE III, 8 INCH (WHITE)
- TEMPORARY CONCRETE BARRIER
- TYPE II BARRIER, DRUM, OR VERTICAL BARRICADE WITH STEADY BURN MONODIRECTIONAL LIGHT
- WORK ZONE

FILE NAME =	DESIGNED - AJP	REVISED -
...\\prpln\ABC_C2\m1\mot.tgo.st.1.10.dgn	DRAWN - TMB	REVISED -
USER NAME = jmojowski	CHECKED - JJT	REVISED -
PLOT DATE = 1/25/2010	DATE - 1/25/10	REVISED -

**benesch**

**STATE OF ILLINOIS  
DEPARTMENT OF TRANSPORTATION**

**MAINTENANCE OF TRAFFIC  
TYPICAL SECTION - STAGE 1**

SCALE: SHEET NO. 7 OF 50 SHEETS STA. TO STA.

F.A.I. RTE.	SECTION	COUNTY	TOTAL SHEETS	SHEET NO.
290	(313), ETC., 3435)RS-6	COOK	215	61
FED. ROAD DIST. NO. ILLINOIS FED. AID PROJECT			CONTRACT NO. 60K10	