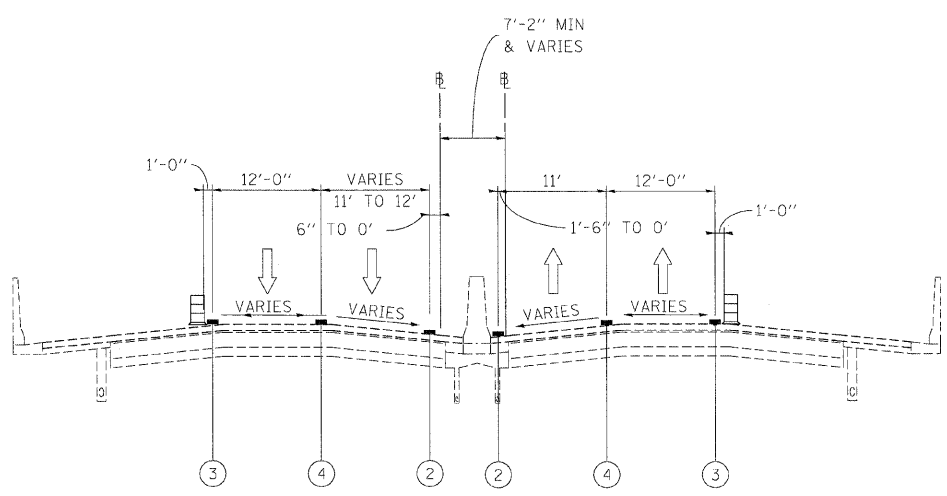


WESTBOUND STA 716+85 TO STA 726+20
EASTBOUND STA 716+85 TO STA 726+70
I-290 MAINTENANCE OF TRAFFIC
TYPICAL SECTION
 STAGE 1

BRIDGE OMISSION: STA 720+35 TO STA 723+20



WESTBOUND STA 726+20 TO STA 726+70
EASTBOUND STA 726+70 TO STA 727+58
I-290 MAINTENANCE OF TRAFFIC
TYPICAL SECTION
 STAGE 1

LEGEND

- ① EXISTING PAVEMENT MARKING
- ② WET REFLECTIVE TEMPORARY TAPE, - TYPE III, 4 INCH (YELLOW)
- ③ WET REFLECTIVE TEMPORARY TAPE, - TYPE III, 4 INCH (WHITE)
- ④ WET REFLECTIVE TEMPORARY TAPE, - TYPE III, 5 INCH (WHITE)
- ⑤ TEMPORARY PAVEMENT MARKING - LINE 6" (YELLOW) (ON BARRIER)
- ⑥ TEMPORARY PAVEMENT MARKING - LINE 6" (WHITE) (ON BARRIER)
- ⑦ WET REFLECTIVE TEMPORARY TAPE - TYPE III, 8 INCH (WHITE)
- TEMPORARY CONCRETE BARRIER
- TYPE II BARRIER, DRUM, OR VERTICAL BARRICADE WITH STEADY BURN MONODIRECTIONAL LIGHT
- WORK ZONE

FILE NAME =	DESIGNED - AJP	REVISED -	benesch	STATE OF ILLINOIS DEPARTMENT OF TRANSPORTATION	MAINTENANCE OF TRAFFIC TYPICAL SECTION - STAGE 1	F.A.I. SECTION COUNTY TOTAL SHEETS SHEET NO.
...\\ppln\ABC\C2\m1\mat.typ.st.1.07.dgn	DRAWN - TMB	REVISED -				290 (313), ETC., 3435)RS-6 COOK 215 60
USER NAME = jma_jewski	CHECKED - JJT	REVISED -				CONTRACT NO. 60K10
PLOT DATE = 1/25/2010	DATE - 1/25/10	REVISED -				FED. ROAD DIST. NO. ILLINOIS FED. AID PROJECT
SCALE: SHEET NO. 6 OF 50 SHEETS STA. TO STA.						