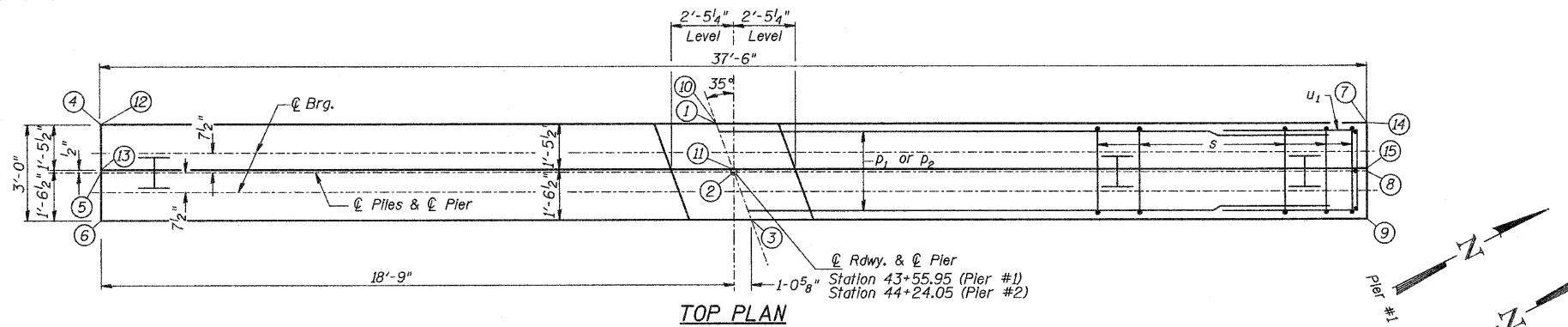


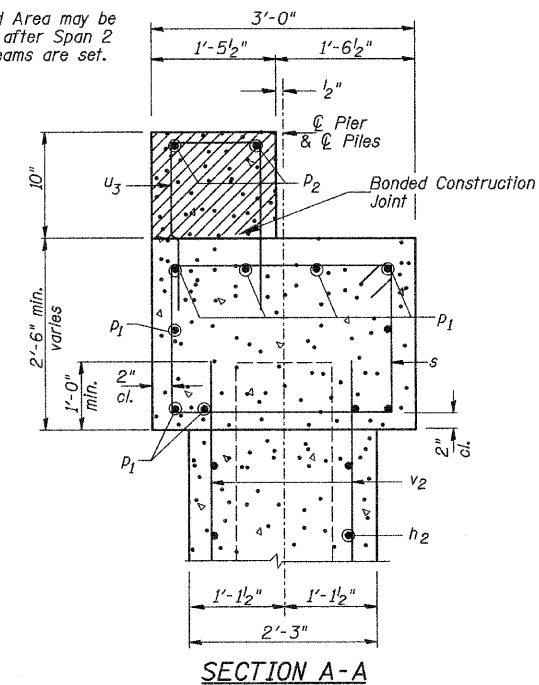
NOTES:
All edges shall have standard
3/4" chamfer.

PILE DATA

Type & Size: Steel HP12x53
Nominal Required Bearing: Set In Rock (419 kips)
Factored Resistance Available: Set In Rock (209 kips)
Est. Length: 30' Pier #1
28' Pier #2
No. Req'd.: 14



Hatched Area may be
poured after Span 2
PPC Beams are set.



**TWO PIERS
BILL OF MATERIAL**

BAR	NO.	SIZE	LENGTH	SHAPE
h ₂	60	#5	34'-3"	—
p ₁	20	#7	37'-3"	—
p ₂	4	#5	37'-3"	—
s	84	#4	10'-5"	□
u ₁	12	#6	11'-7"	┌
u ₂	60	#5	7'-0"	┌
u ₃	76	#4	4'-5"	┌
v ₂	156	#5	15'-1"	—
Concrete Structures			CU YD	111.3
① Reinforcement Bars			POUND	7,730
Structure Excavation			CU YD	70
① Furnishing Steel Piles HP12x53			FOOT	406
① Setting Piles in Rock			EACH	14
Concrete Encasement			CU YD	13.4
① Underwater Structure Excavation Protection, Location 1			EACH	1
① Underwater Structure Excavation Protection, Location 2			EACH	1

① See Special Provisions

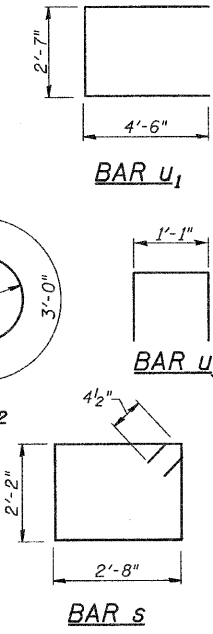
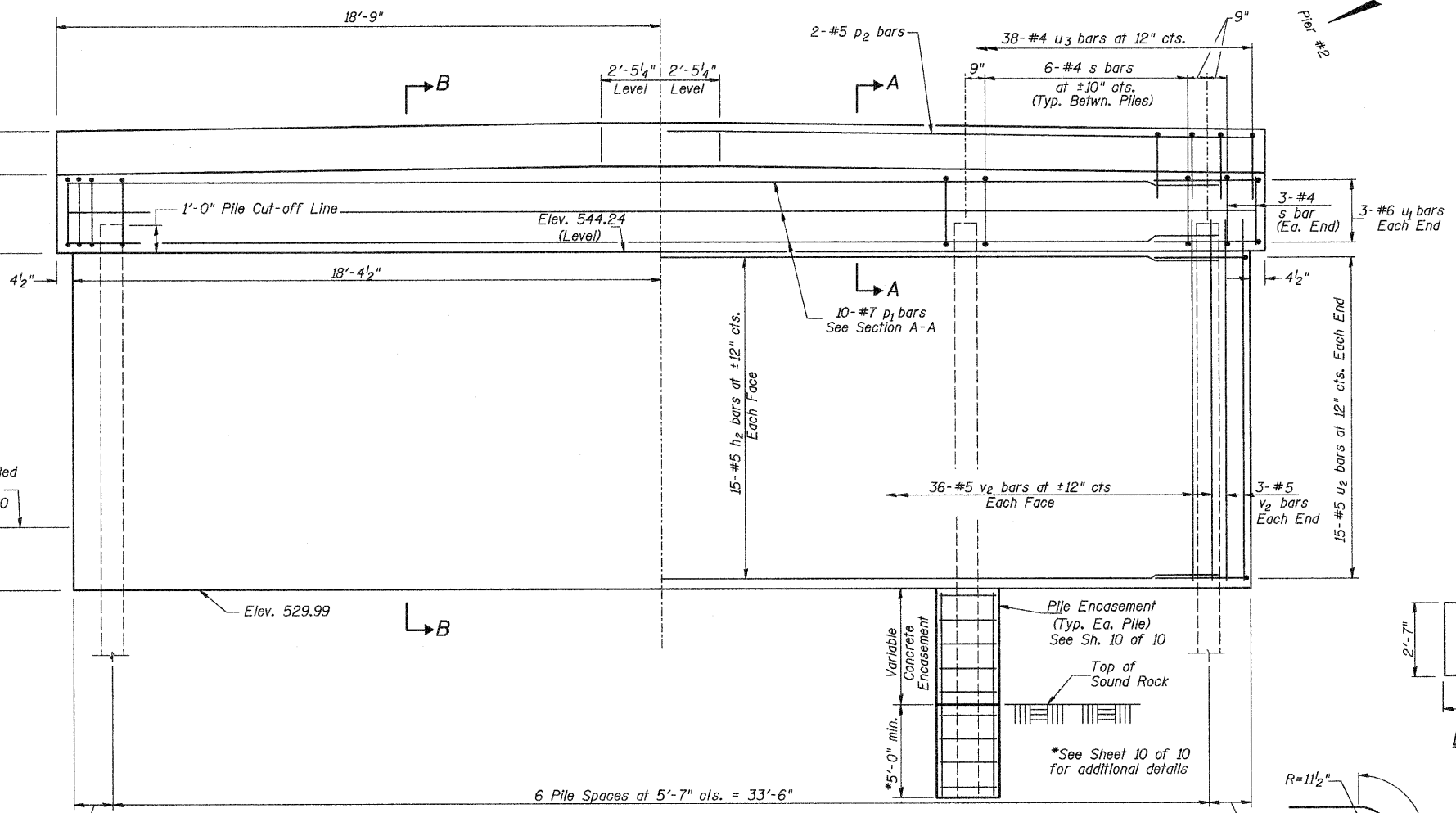
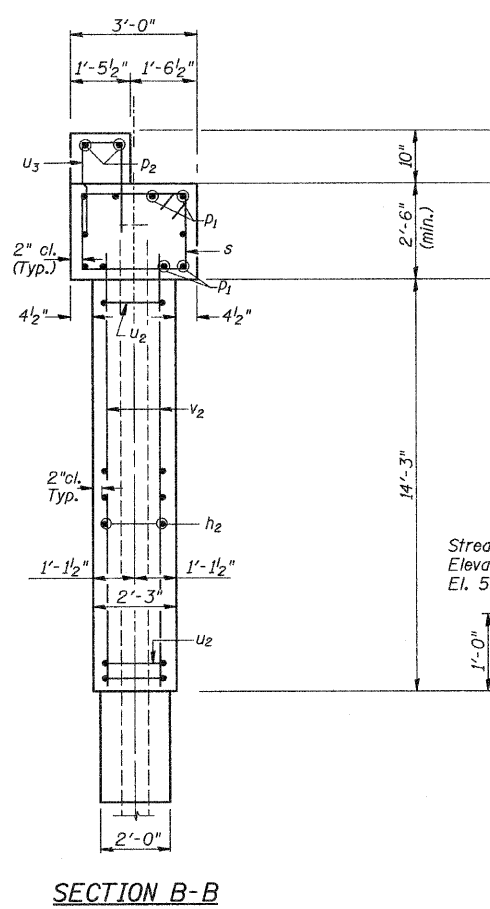
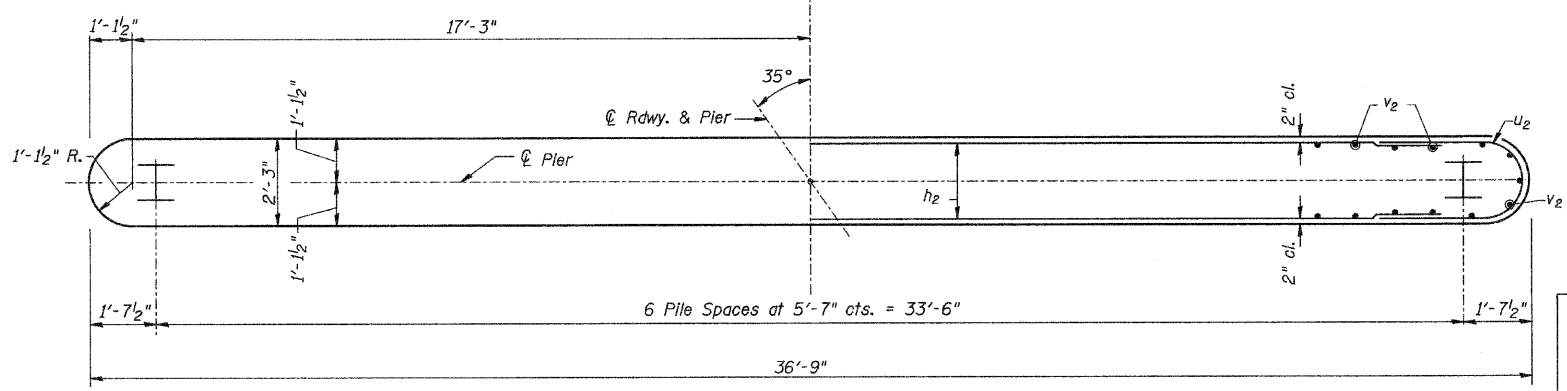


TABLE OF ELEVATIONS

LOCATION	DESCRIPTION	ELEVATION
①	Top of Cap	546.96
②	Top of Cap	546.96
③	Top of Cap	546.96
④	Top of Cap	546.76
⑤	Top of Cap	546.75
⑥	Top of Cap	546.74
⑦	Top of Cap	546.74
⑧	Top of Cap	546.75
⑨	Top of Cap	546.76
⑩	Top of Step	547.79
⑪	Top of Step	547.79
⑫	Top of Step	547.59
⑬	Top of Step	547.58
⑭	Top of Step	547.57
⑮	Top of Step	547.58

ELEVATION
(Looking West-Pier #1)
(Looking East-Pier #2)



**PIERS
PIKE COUNTY
SECTION 09-1113-00-BR
T.R. 359 OVER HONEY CREEK**

SHEET NO. 9 10 SHEETS	ROUTE NO.	SECTION	COUNTY	TOTAL SHEETS	SHEET NO.
	TR 359	09-1113-00-BR	PIKE	28	15
S.N. 075-3318			CONTRACT NO. 93540		
FED. ROAD DIST. NO. 7 ILLINOIS		FED. AID PROJECT BROS-0149(041)			