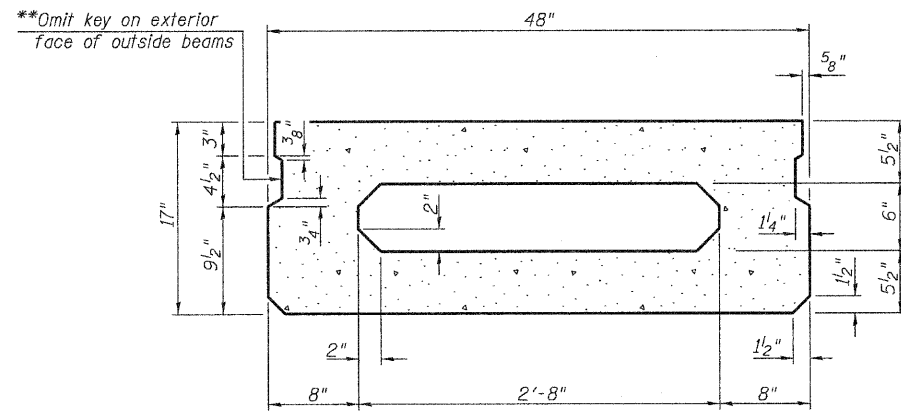
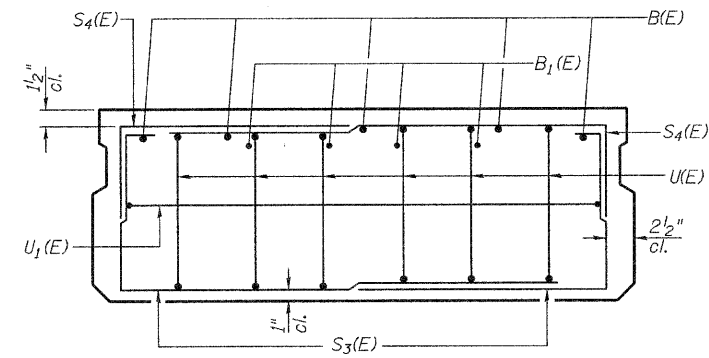


SECTION C-C

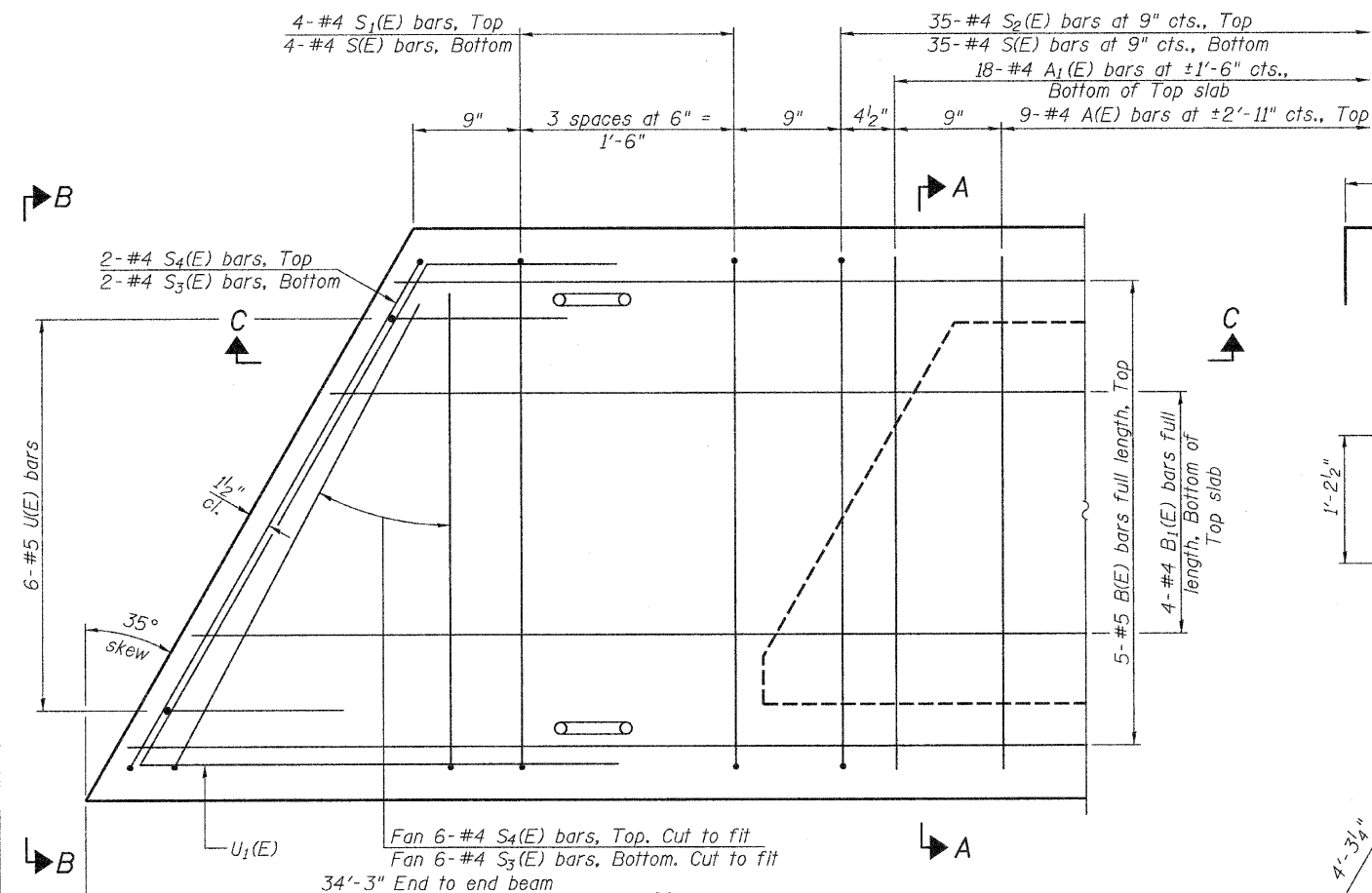


SECTION A-A
(Showing dimensions)



VIEW B-B

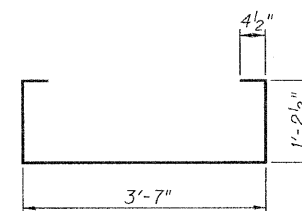
**Rall post anchor devices (Sheet 6 of 10) to be cast into exterior face of outside beams.



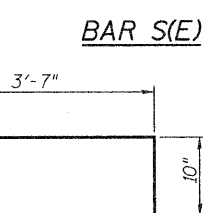
PLAN VIEW

MIN. BAR LAP
#4 bar = 2'-0"
#5 bar = 2'-6"

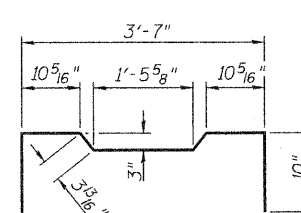
Note: Spacing of S(E) and S2(E) bars may be adjusted up to 4" in the immediate area of the transverse tie diaphragms to miss the block outs for the transverse ties.



BAR A1(E)

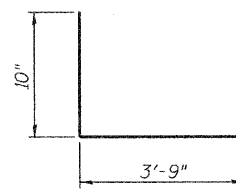


BAR S(E)

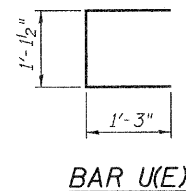


BAR S1(E)

BAR S2(E)

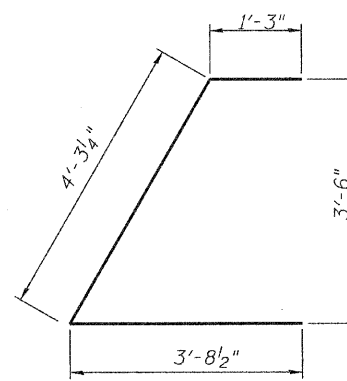


BAR S3(E)

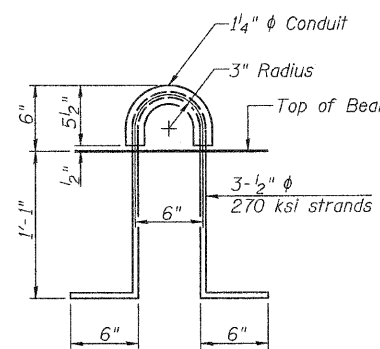


BAR S4(E)

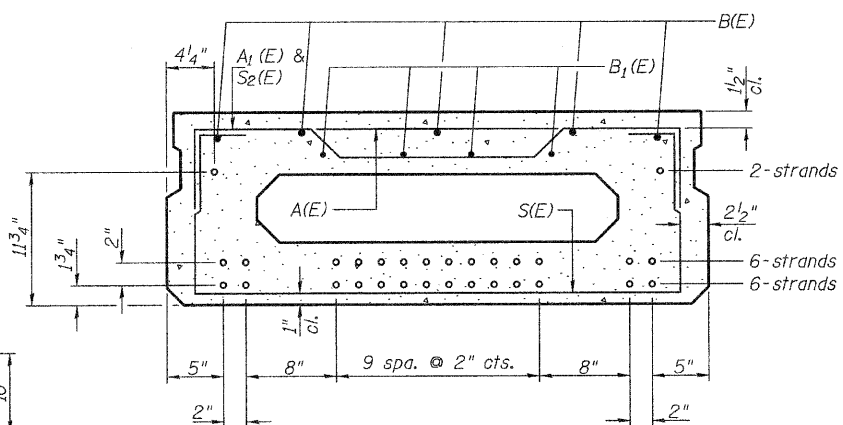
BAR U(E)



BAR U1(E)



LIFTING LOOP DETAIL



SECTION A-A

14-1/2" ϕ Strands Each Strand Stressed to 30,900 Lbs.
6-Strands 1 3/4" up, 6-Strands 3 3/4" up, 2-Strands 11 3/8" up
Note: Place the number of strands specified in each row symmetrically about the centerline of beam in the permissible strand locations shown.

BAR LIST-ONE BEAM ONLY
(For information only)

Bar	No.	Size	Length	Shape
A(E)	9	#4	3'-7"	—
A1(E)	18	#4	3'-10"	—
B(E)	5	#5	*34'-0"	—
B1(E)	4	#4	*34'-0"	—
S(E)	43	#4	6'-9"	—
S1(E)	8	#4	5'-3"	—
S2(E)	35	#4	5'-6"	—
S3(E)	16	#4	5'-4"	—
S4(E)	16	#4	4'-7"	—
U(E)	12	#5	3'-8"	—
U1(E)	2	#4	9'-3"	—

* Total Length, Lap as necessary

Note: See sheet 2 of 10 for additional details and Bill of Material.

SUPERSTRUCTURE DETAILS - SPANS 1 & 3

PIKE COUNTY

SECTION 09-1113-00-BR

T.R. 359 OVER HONEY CREEK

SHEET NO. 3	ROUTE NO.	SECTION	COUNTY	TOTAL SHEETS	SHEET NO.
	TR 359	09-1113-00-BR	PIKE	28	9
10 SHEETS	S.N. 075-3318		CONTRACT NO. 93540		
FED. ROAD DIST. NO. 7		ILLINOIS	FED. AID PROJECT BROS-01491041		