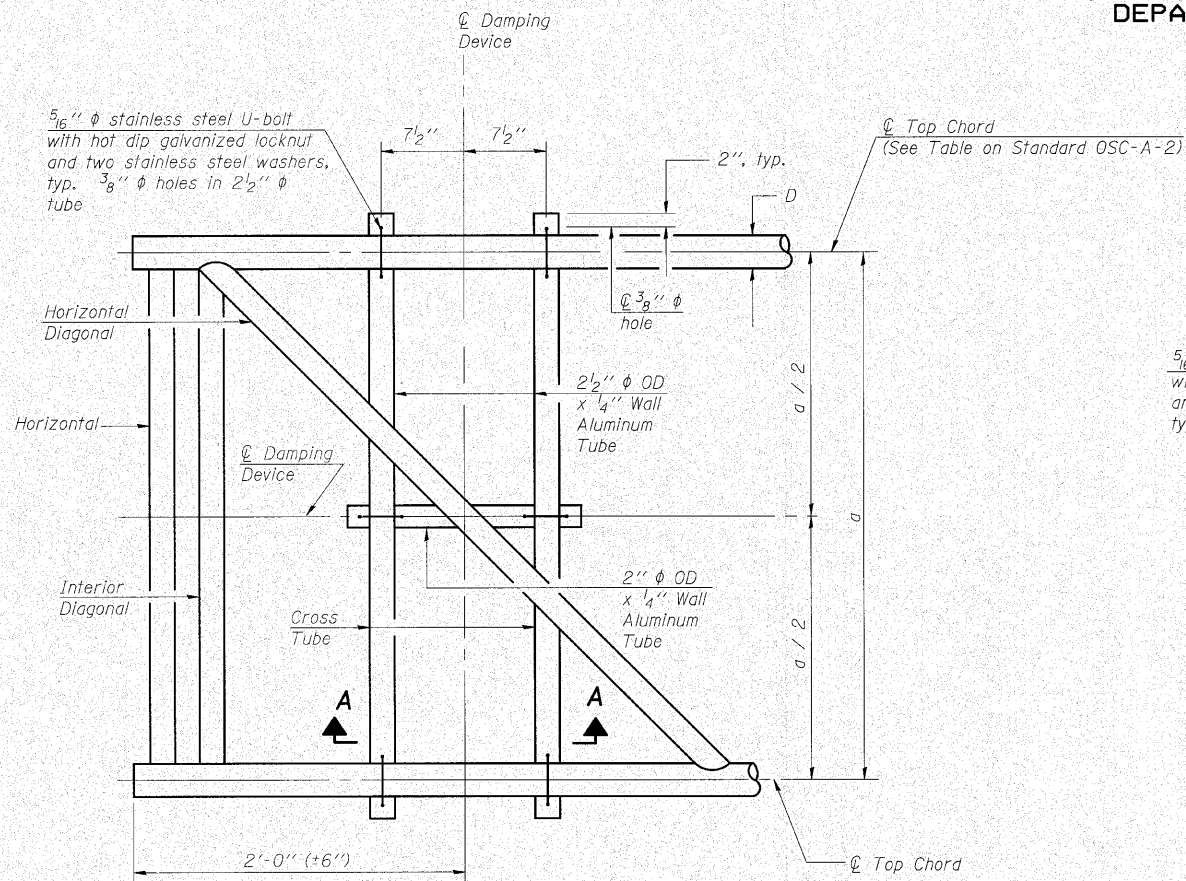


STATE OF ILLINOIS
DEPARTMENT OF TRANSPORTATION

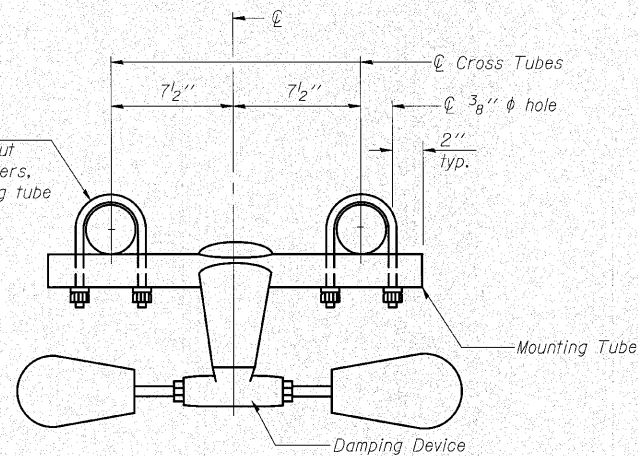
Operator: burnsideem

Date: 8/10/2010 \$TIMES

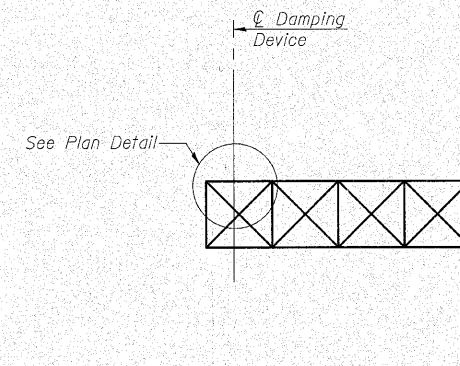
Filename: \$FILES



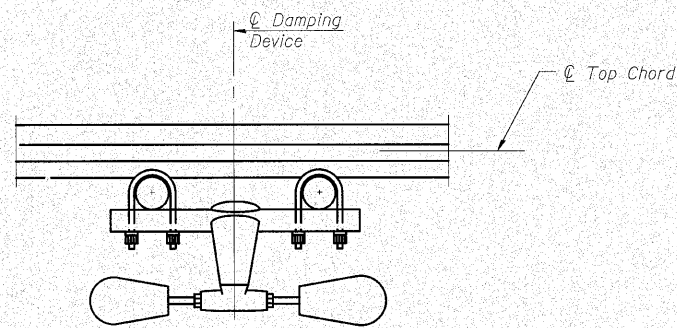
PLAN DETAIL



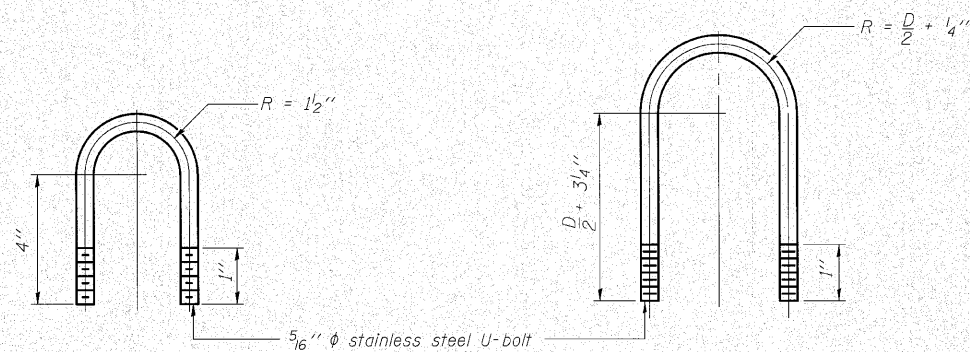
TRUSS DAMPING
DEVICE CONNECTION DETAIL



ELEVATION
Aluminum Cantilever
Sign Structure



SECTION A-A



DAMPING DEVICE MOUNTING
TUBE U-BOLT DETAIL

(Typical)

TOP CHORD TO CROSS TUBE
U-BOLT DETAIL

(Typical)

GENERAL NOTES

- Damper: One damper per truss. (31 lbs. Stockbridge-Type Aluminum-29" minimum between ends of weights)
- Materials: Aluminum tubes shall be ASTM B221 alloy 6061 temper T6

DESIGNED
CHECKED
DRAWN
CHECKED

OSC-A-D

12-1-08

WHKS & CO.
ENGINEERING
7018 KINGSMILL CT.,
SPRINGFIELD, IL
(217) 483-9457
DESIGN FIRM #184001036

CANTILEVER SIGN STRUCTURE
DAMPING DEVICE

SHEET NO. 3 11 SHEETS	F.A.I. RTE. 64	SECTION 82-5K-2	COUNTY ST. CLAIR	TOTAL SHEETS 162	SHEET NO. 73
	CONTRACT NO. 76059				
FED. ROAD DIST. NO.		ILLINOIS FED. AID PROJECT			