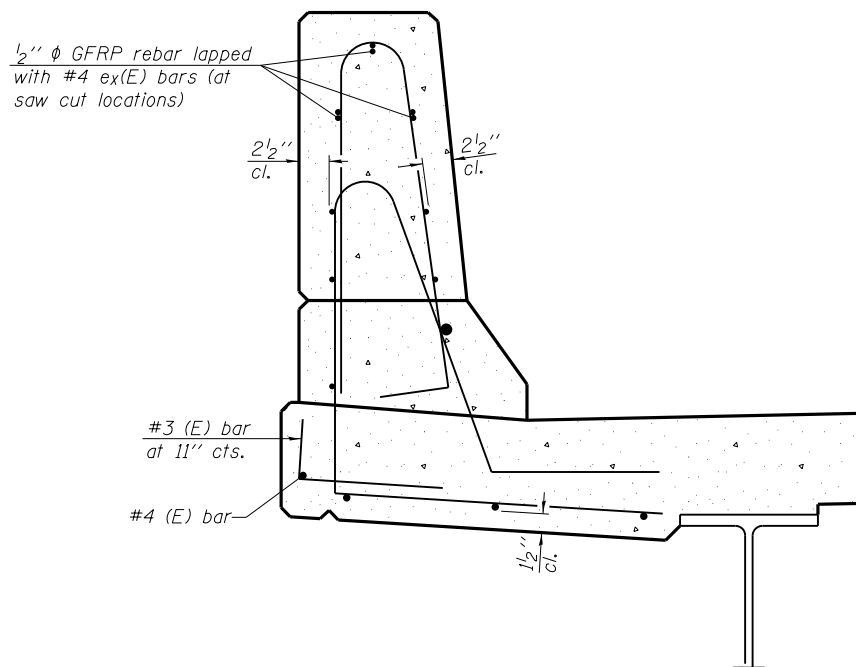


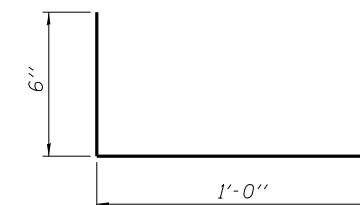
SECTION
(Showing dimensions)

* See Superstructure Details.

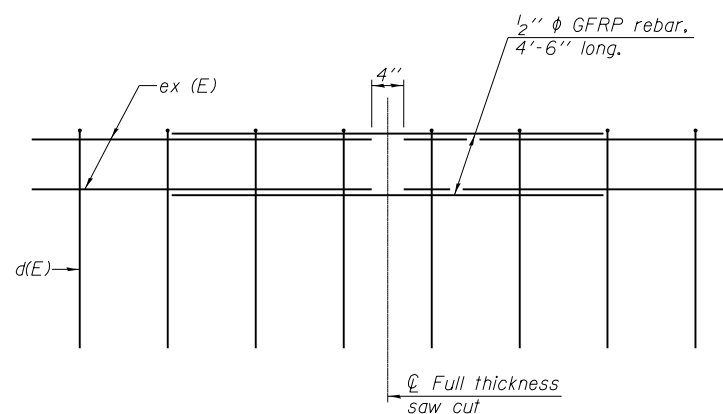


SECTION
(Showing reinforcement clearances for slip forming and additional reinforcement bars)

GENERAL NOTES
All dimensions shall remain the same as shown on superstructure details, except dimensions A and B which are to be revised as shown to provide additional clearance. Additional concrete needed to revise dimension A and B = 0.0165 cu. yds./ft. of parapet.
Place aluminum sheet in curb portion at and near piers. Full thickness saw cut at all joint locations in lieu of cork joint filler.
Steel superstructure shown. Other superstructure types similar.



#3 (E) BAR



GFRP REBAR STIFFENING DETAIL
(Place as shown in parapet section at each parapet joint location.)

SFP-34

7-1-10

FILE NAME =	USER NAME =	DESIGNED RJP	REVISED -	STATE OF ILLINOIS DEPARTMENT OF TRANSPORTATION	CONCRETE PARAPET SLIPFORMING OPTION STRUCTURE NO. 034-0528	F.A.P. RTE.	SECTION	COUNTY	TOTAL SHEETS	SHEET NO.
	CHECKED ADL	REVISED -	685			(117,118)RS-4,119RS-1; 118B-1	HANCOCK	101	63	
PLOT SCALE =	DRAWN RJP	REVISED -		CONTRACT NO. 72B05						
PLOT DATE =	CHECKED ADL	REVISED -		ILLINOIS FED. AID PROJECT						