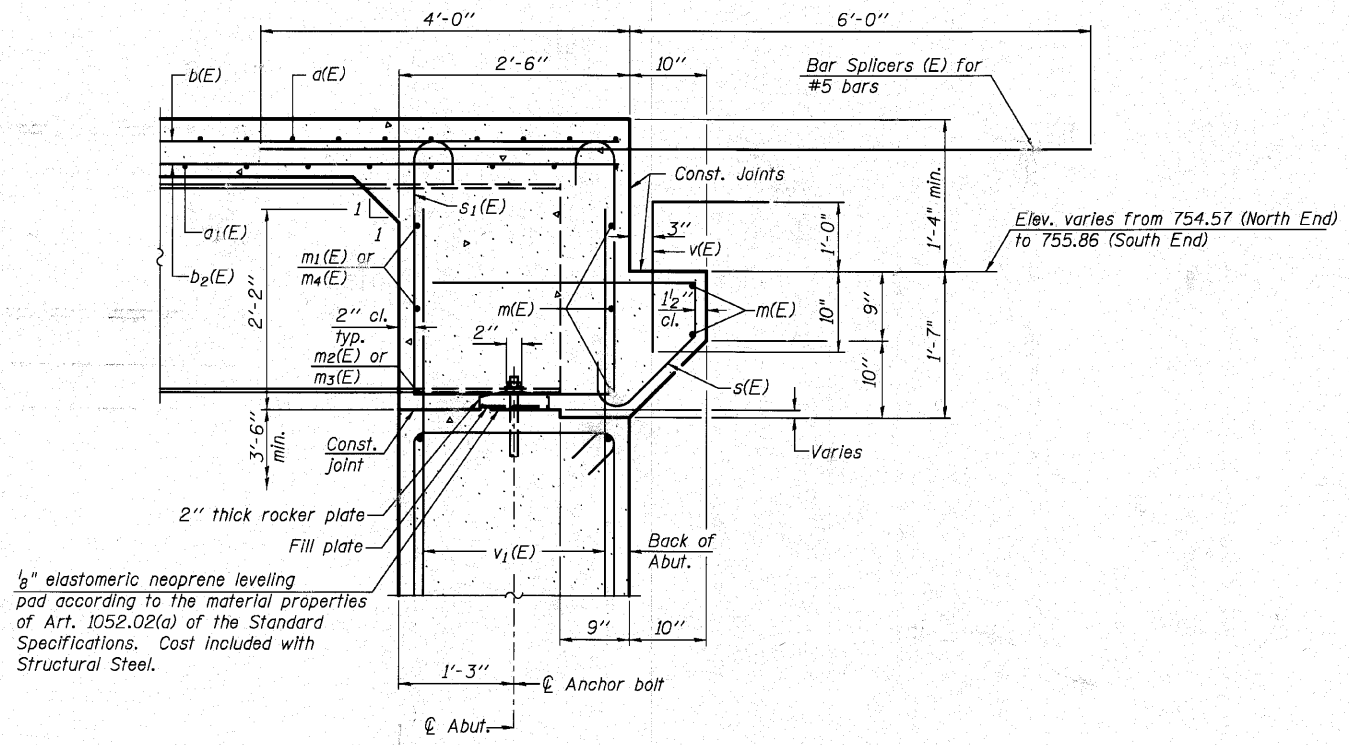


DIAPHRAGM ELEVATION AT ABUTMENT

Notes:  
 Reinforcement bars in diaphragm are billed with superstructure on Sheet 8 of 21.  
 Concrete in diaphragm is included with Concrete Superstructure on Sheet 8 of 21.  
 For details of bars s(E) & s1(E) see Sheet 8 of 21.

**MIN. BAR LAP**  
 #6 bar = 3'-4"



SECTION A-A

**EAST ABUTMENT  
 DIAPHRAGM DETAILS  
 STRUCTURE NO. 045-3020**

DESIGNED - AEU
CHECKED - DLS
DRAWN - AWH
CHECKED - AEU

SI-DS2 11-1-09

**WILLS BURKE KELSEY ASSOCIATES LTD.**  
 116 West Main Street, Suite 201  
 St. Charles, Illinois 60174  
 (630) 443-7755

SHEET NO. 12 21 SHEETS	F.A.U.	SECTION	COUNTY	TOTAL SHEETS	SHEET NO.
	2332	03-14185-02-BR	KANE	73	36
CONTRACT NO. 63521					
FED. ROAD DIST. NO.		ILLINOIS	FED. AID PROJECT		

FILE NAME = P:\CIBTEL WEST Projects\2009\09-0802 Bolinae P\11\Structure\01.dgn 11/15/2009 09:55:12 012-E\_Abu...Diaphr...DeLudgn

PLOT CREATION DATE = 12/19/2010