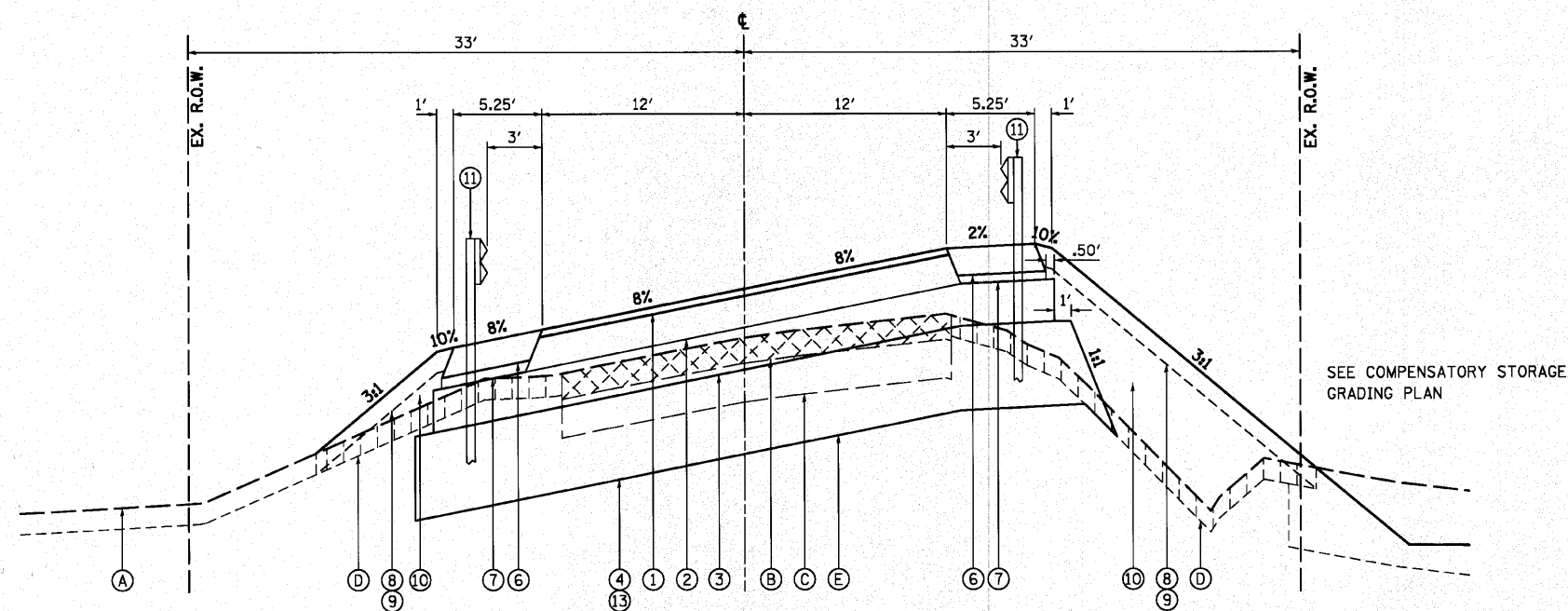


**PROPOSED BOLCUM ROAD**  
 STA. 125+74 LT./STA. 124+91.8 RT. TO STA. 126+75



**PROPOSED BOLCUM ROAD**  
 STA. 123+64 TO STA. 125+74 LT./STA. 124+91.8 RT.

**LEGEND, EXISTING**

- (A) EXISTING GROUND
- (B) EXISTING HOT-MIX ASPHALT PAVEMENT, 7.0"-7.3" (TO BE REMOVED - 44000100)
- (C) EXISTING AGGREGATE BASE, 11" (REMOVED AS NECESSARY- INCLUDED IN EARTH EXCAVATION)
- (D) EXISTING TOPSOIL - (TO BE REMOVED - 20201200)
- (E) EXISTING UNSUITABLE MATERIAL - (TO BE REMOVED - 20201200)

**LEGEND, PROPOSED**

- (1) 2" HMA SURFACE COURSE, MIX "D", N50 (40603335)
- (2) 9" HMA BINDER COURSE, IL-19.0, N50 (2 LIFTS - 40603080)
- (3) AGGREGATE SUBGRADE, 12" (Z0001050)
- (4) GEOTECHNICAL FABRIC FOR GRND. STABILIZATION (21001000)
- (5) AGGREGATE SHOULDERS, TYPE B 6" (48101500)
- (6) HMA SHOULDERS, 8" (48203029)
- (7) SUB-BASE GRANULAR MATERIAL, TYPE B (31101100)
- (8) 6" TOPSOIL EXCAVATION AND PLACEMENT (21101505)
- (9) SEEDING CLASS 2A, 4(MOD.), 5(MOD.) W/EROSION CONTROL BLANKET
- (10) STRUCTURAL EMBANKMENT (TO BE PAID AS FURNISHED EXCAVATION - 20400800)
- (11) STEEL PLATE BEAM GUARDRAIL, TYPE A, 6' POSTS (63000001)
- (12) PIPE UNDERDRAIN WITH FILTER FABRIC ENVELOPE, 4" (60107600)
- (13) POROUS GRANULAR EMBANKMENT, SUBGRADE (20700420)
- (14) PARAPET (SEE STRUCTURAL PLANS)
- (15) STRIP REFLECTIVE CRACK CONTROL TREATMENT (44300200)
- (16) LEVELING BINDER (MACHINE METHOD), N50 (40600625)
- (17) AGGREGATE WEDGE SHOULDER, TYPE B (48102100)

FILE NAME: P:\CIBEL\WEST Projects\22881\98-9892 Bolcum PHIL\Civil\Drawings\TYPICAL.dwg



USER NAME = #USER#	DESIGNED -	REVISED -
PLOT SCALE =	DRAWN -	REVISED -
PLOT DATE = 10/21/2010	CHECKED -	REVISED -
	DATE - 10/22/10	REVISED -

**STATE OF ILLINOIS**  
**DEPARTMENT OF TRANSPORTATION**

**TYPICAL SECTIONS**  
**PROPOSED**

SCALE: SHEET NO. 11 OF 73 SHEETS STA. TO STA.

F.A.U. RTE.	SECTION	COUNTY	TOTAL SHEETS	SHEET NO.
2332	03-14185-02-BR	KANE	73	11
CONTRACT NO. 63521				
FED. ROAD DIST. NO. 1 [ILLINOIS] FED. AID PROJECT				