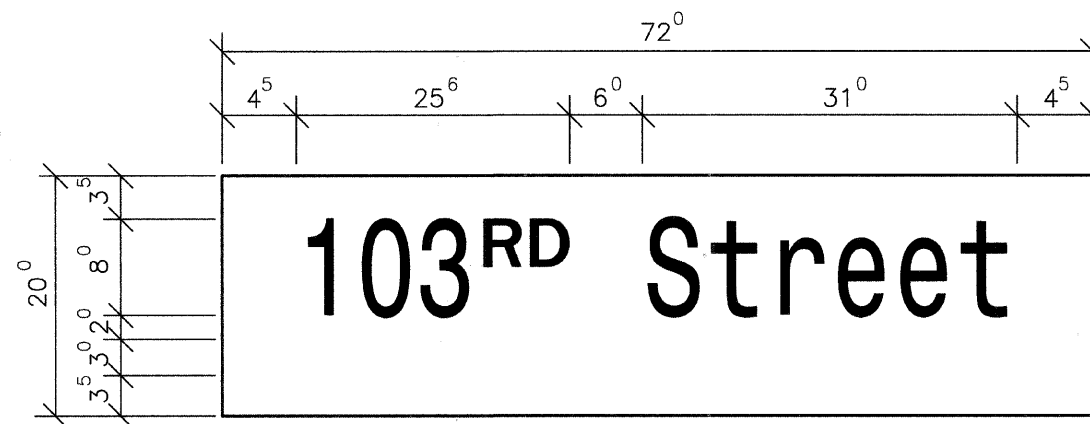


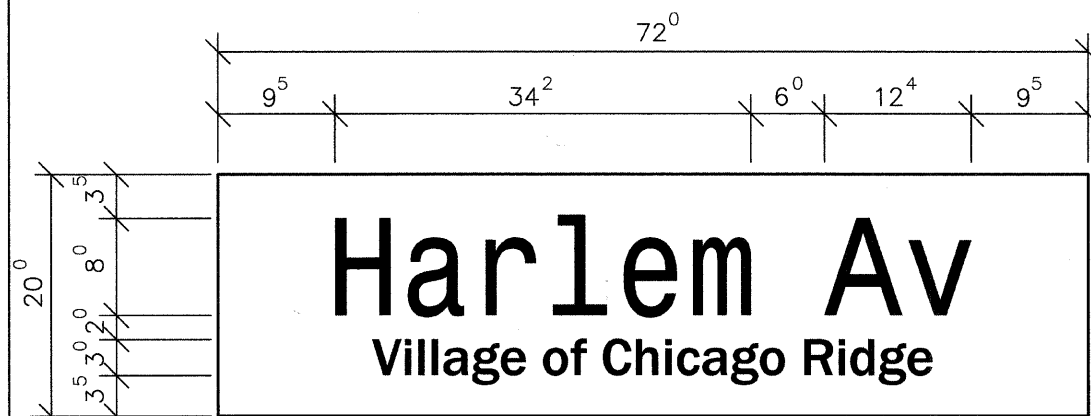
Harlem Av
Village of Bridgeview

10.0 SQ. FT. EACH
 _____ DOUBLE SIDED REQUIRED
 DESIGN SERIES "D"
 CLEARVIEW FRONT



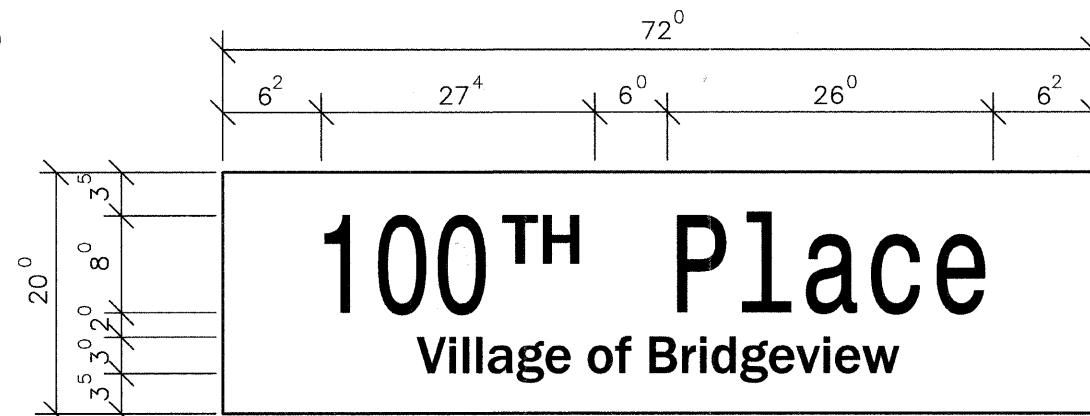
103RD Street

10.0 SQ. FT. EACH
 _____ DOUBLE SIDED REQUIRED
 DESIGN SERIES "D"
 CLEARVIEW FRONT



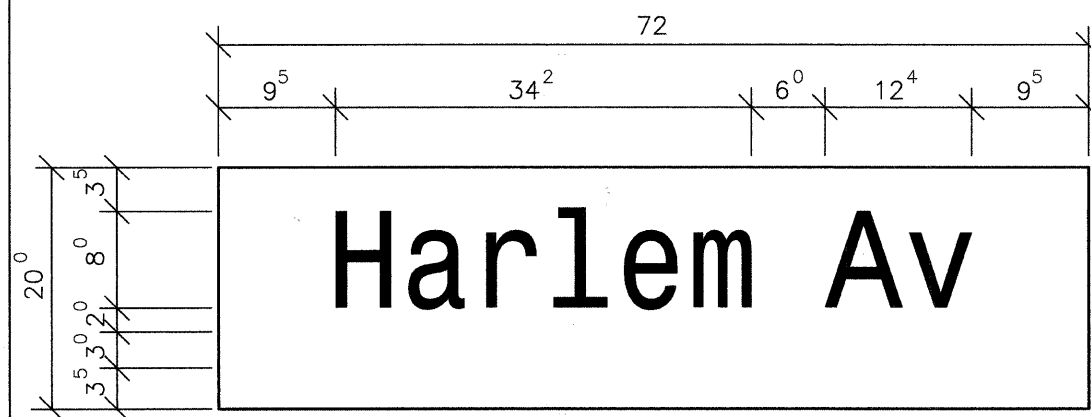
Harlem Av
Village of Chicago Ridge

10.0 SQ. FT. EACH
 _____ DOUBLE SIDED REQUIRED
 DESIGN SERIES "D"
 CLEARVIEW FRONT



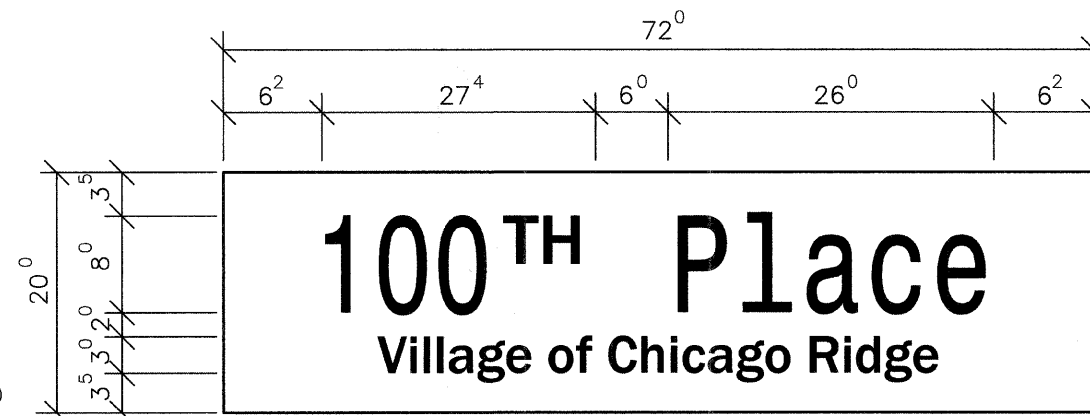
100TH Place
Village of Bridgeview

10.0 SQ. FT. EACH
 _____ SINGLE SIDED REQUIRED
 _____ DOUBLE SIDED REQUIRED
 DESIGN SERIES "D"
 CLEARVIEW FRONT



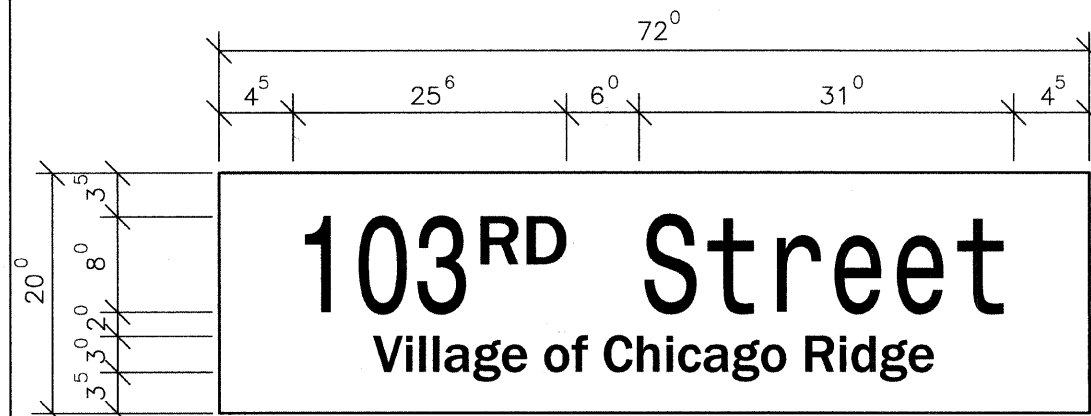
Harlem Av

10.0 SQ. FT. EACH
 _____ DOUBLE SIDED REQUIRED
 DESIGN SERIES "D"
 CLEARVIEW FRONT



100TH Place
Village of Chicago Ridge

10.0 SQ. FT. EACH
 _____ SINGLE SIDED REQUIRED
 _____ DOUBLE SIDED REQUIRED
 DESIGN SERIES "D"
 CLEARVIEW FRONT



103RD Street
Village of Chicago Ridge

10.0 SQ. FT. EACH
 _____ DOUBLE SIDED REQUIRED
 DESIGN SERIES "D"
 CLEARVIEW FRONT

FILE NAME = 07441_02-SIGN-01 - IDOT P01

USER NAME =	DESIGNED -- MRS	REVISED --
	CHECKED -- PKB	REVISED --
PLOT SCALE =	DRAWN -- RG	REVISED --
PLOT DATE = 10-21-10	CHECKED -- AG	REVISED --

STATE OF ILLINOIS
DEPARTMENT OF TRANSPORTATION

HARLEM AVENUE BEAUTIFICATION
MAST ARM MOUNTED
STREET NAME SIGNS

SCALE: NONE SHEET NO. 51 OF 55 SHEETS STA. TO STA.

F.A.P. RTE. 348	SECTION 07-00055-01-SG	COUNTY COOK	TOTAL SHEETS 55	SHEET NO. 51
FED. ROAD DIST. NO. 1 ILLINOIS FED. AID PROJECT HPP-3462(001)				

CONTRACT NO. 63510