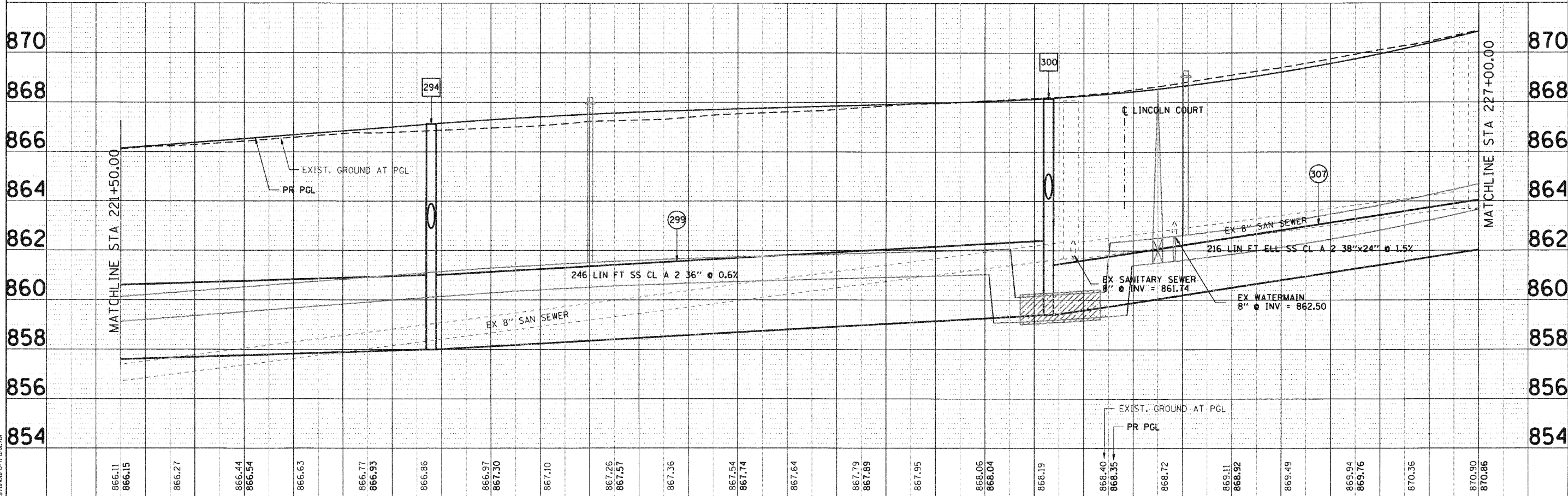
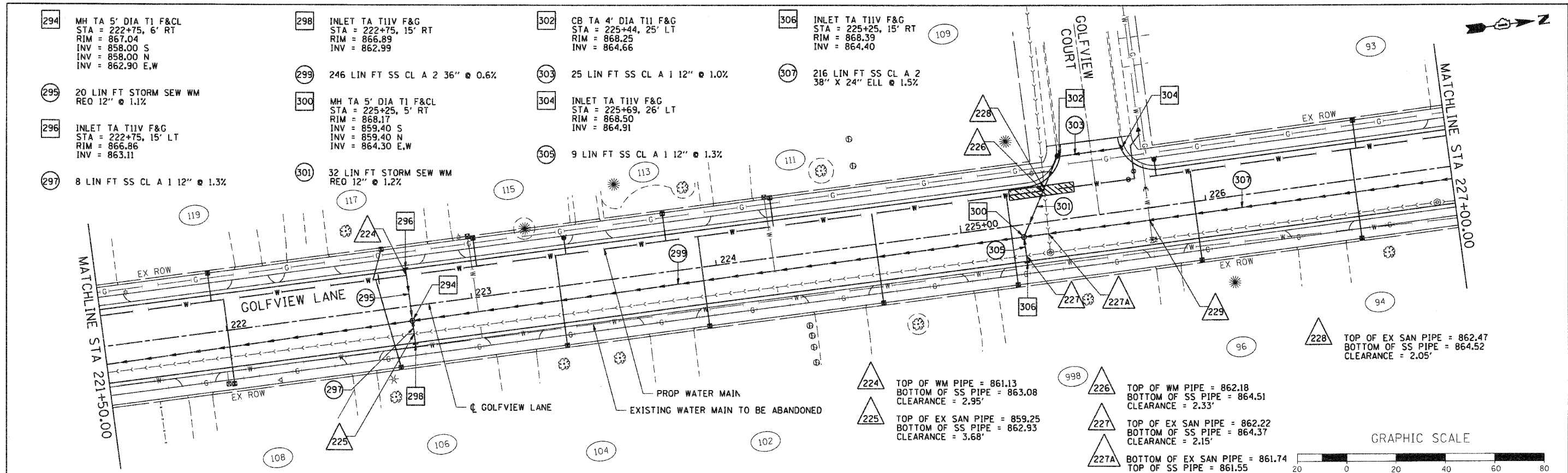


PLAN	SURVEYED	DATE
	PLOTTED	BY
	REVISIONS	
	NOTE BOOK	
	NO. OF WAYS CHECKED	
	CADD FILE NAME	

PROFILE	SURVEYED	DATE
	PLOTTED	BY
	REVISIONS	
	NOTE BOOK	
	NO. OF WAYS CHECKED	
	CADD FILE NAME	

COMPANY NAME: SEC GROUP, INC.
 PROJECT CONTACT: A. JAIN
 PROJECT ADDRESS: VILLAGE OF CARPENTERSVILLE
 CLIENT ADDRESS: 1000 S. MAIN ST. #100
 FILE NAME: 06-00074-00-10.dgn
 PLOT DRIVER: pefash
 PLOT TABLE: standard-trans.tbl



866.11	866.27	866.44	866.54	866.63	866.77	866.93	866.86	866.97	867.30	867.10	867.26	867.57	867.36	867.54	867.74	867.64	867.79	867.89	867.95	868.06	868.04	868.19	868.40	868.35	868.72	869.11	868.92	869.49	869.94	869.76	870.36	870.90	870.86		
221+50	222+00	222+50	223+00	223+50	224+00	224+50	225+00	225+50	226+00	226+50	227+00																								

<p>SEC Group, Inc. An HR Group Company 420 N. First Street Mankato, IL 60520-2138 P: 815.385.1778 F: 815.385.1751 www.secgroup.com 4810 North Lincoln Street, Mankato, IL, Chicago, IL</p>	USER NAME = Char-uka PLOT SCALE = 1" = 20' PLOT DATE = 11/1/2010	DESIGNED - A. JAIN DRAWN - S. PERNAL CHECKED - T. HAMILTON DATE - 10/25/10	REVISED - REVISED - REVISED - REVISED -	VILLAGE OF CARPENTERSVILLE DRAINAGE AND UTILITY PLAN AND PROFILE GOLFVIEW LANE	SCALE: 1" = 20' SHEET NO. 10 OF 21 SHEETS STA. 221+50 TO STA. 227+00	F.A. RTE. SECTION COUNTY TOTAL SHEETS SHEET NO. 06-00074-00-FP KANE 211 58 FAU 2414, FAU 1280, FAP 343 CONTRACT NO. 63504 FED. ROAD DIST. NO. [ILLINOIS] FED. AID PROJECT
--	--	---	--	---	--	--