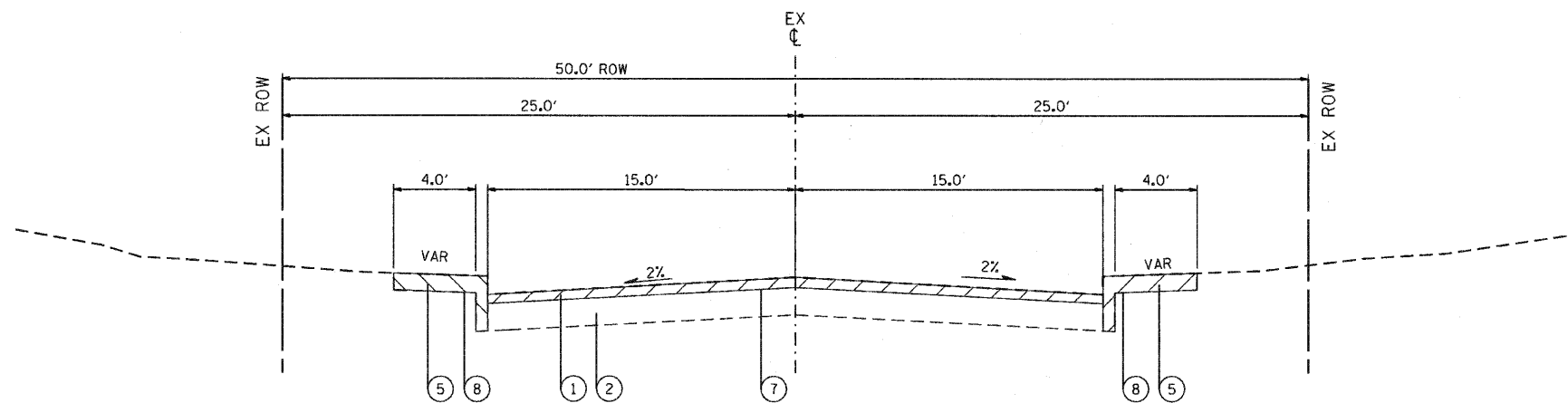


**EXISTING TYPICAL SECTION
HAZARD ROAD**
STA 105+30 TO STA 131+51
• HOT-MIX ASPHALT SURFACE REMOVAL, 1 3/4"
STA 105+30.00 TO STA 125+75.00

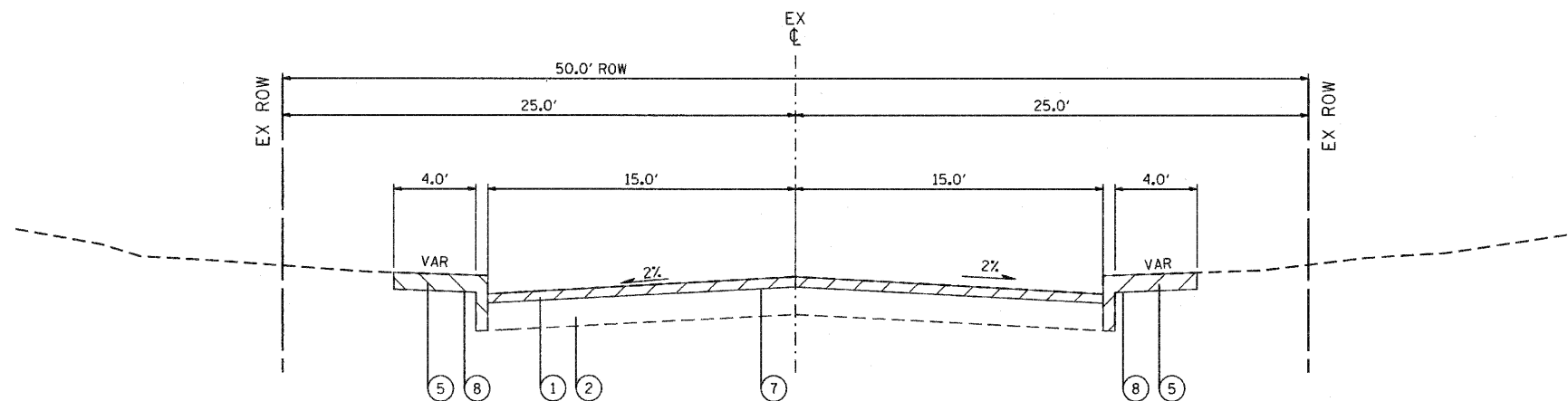
**EXISTING TYPICAL SECTION LEGEND
(HAZARD RD., MONROE AV., GOLFVIEW LN.)**

- ① HOT-MIX ASPHALT, THICKNESS VARIES 3 1/2" TO 5"
- ② AGGREGATE SUB BASE, THICKNESS VARIES 1" TO 12"
- ③ COMB CONC C&G, TYPE B-6.12
- ④ PCC SIDEWALK, 5"
- ⑤ MONOLITHIC PCC CURB AND SIDEWALK
- ⑥ HOT-MIX ASPHALT SURFACE REMOVAL, 1 3/4"
- ⑦ PAVEMENT REMOVAL
- ⑧ COMBINATION CURB AND GUTTER REMOVAL (SPECIAL)

NOTE
SEE REMOVAL PLAN FOR ADDITIONAL INFORMATION



**EXISTING TYPICAL SECTION
MONROE AVENUE**
STA 300+00 TO STA 319+83



**EXISTING TYPICAL SECTION
GOLFVIEW LANE**
STA 200+00 TO STA 233+73

COMPANY NAME: SEC GROUP, INC.
 PROJECT CONTACT: A. JAIN
 CLIENT: VILLAGE OF CARPENTERSVILLE
 DATE PLOTTED: 11/5/2010 3:56:06 PM
 FILE NAME: 060326-1yp-01.dgn
 PLOT DRIVER: pldrvr
 PLOT TABLE: standard-trans.tbl

SEC Group, Inc.
 40171 Daniel Company
 400 N. Front Street
 Moline, IL 61704-2128
 T 815.385.7778 F 815.385.1791
 www.secgroupinc.com

USER NAME = Char-1ke	DESIGNED - J. ATTANASEO	REVISED -
PLOT SCALE = N.T.S.	DRAWN - R. BEST	REVISED -
PLOT DATE = 11/5/2010	CHECKED - T. HAMILTON	REVISED -
	DATE - 10/25/10	REVISED -

VILLAGE OF CARPENTERSVILLE

EXISTING TYPICAL SECTIONS			
SCALE: N.T.S.	SHEET NO. 1 OF 6 SHEETS	STA.	TO STA.

F.A. RTE.	SECTION	COUNTY	TOTAL SHEETS	SHEET NO.
*	06-00074-00-PP	KANE	211	6
* FAU 2414, FAU 1280, FAP 343			CONTRACT NO. 63504	
FED. ROAD DIST. NO.		ILLINOIS FED. AID PROJECT		