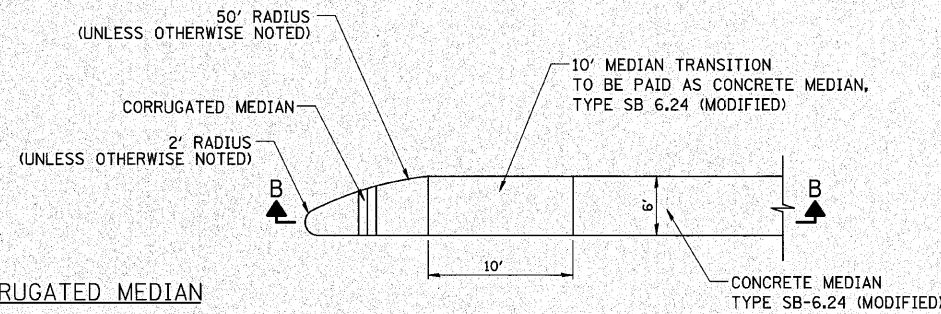
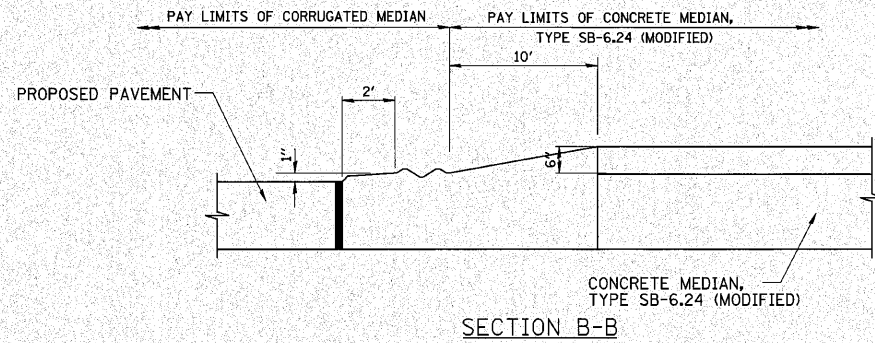
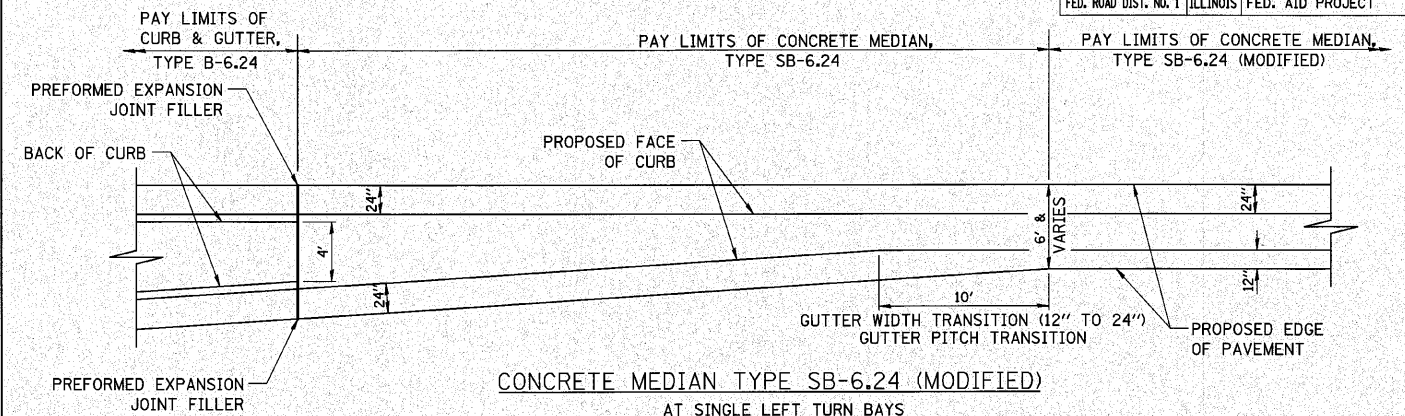


F.A.P. RTE.	SECTION	COUNTY	TOTAL SHEETS	SHEET NO.
353	(12&13)WRS-4	WILL	608	494
STA.		TO STA.		
FED. ROAD DIST. NO. 1 ILLINOIS FED. AID PROJECT				



CORRUGATED MEDIAN

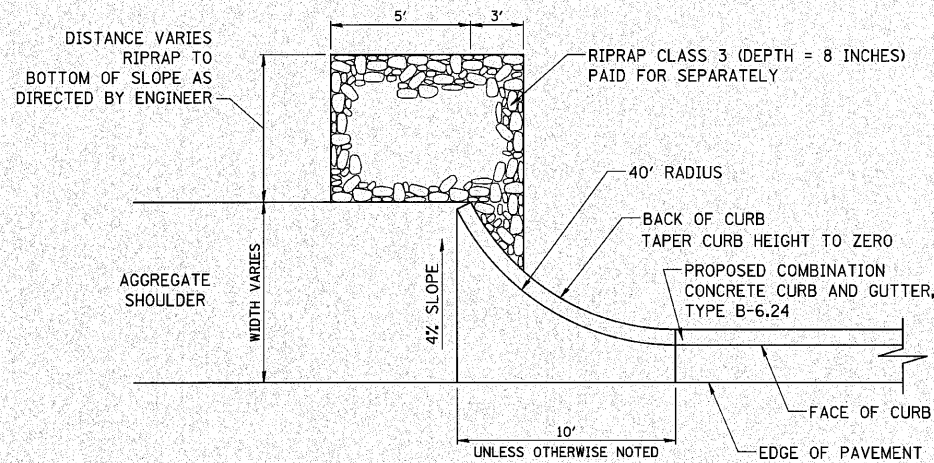
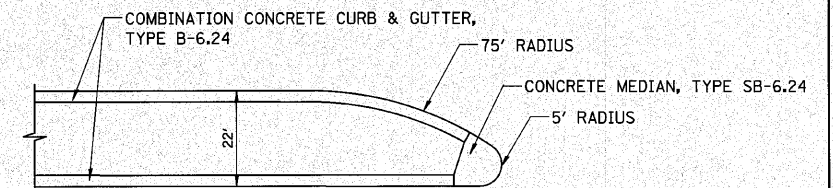
NOTE: CORRUGATED MEDIAN SHALL BE CONSTRUCTED IN ACCORDANCE WITH APPLICABLE PORTIONS OF STANDARD 606306



NOTE: CONCRETE MEDIAN SHALL BE CONSTRUCTED IN ACCORDANCE WITH APPLICABLE PORTIONS OF STANDARD 606301

CONCRETE MEDIAN, TYPE SB-6.24 AT MEDIAN NOSES

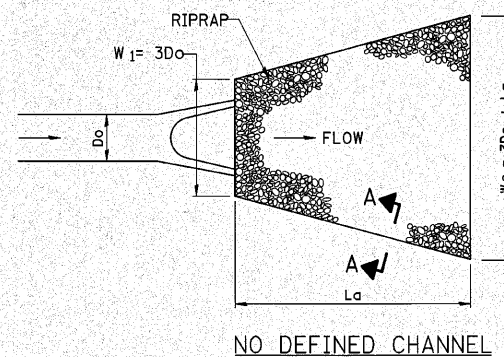
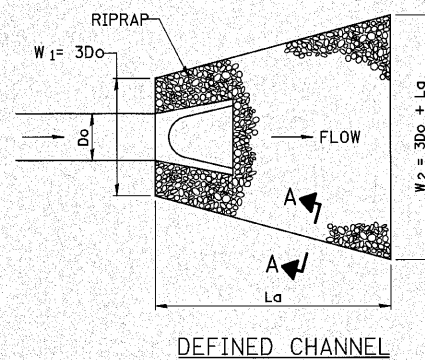
NOTE: CONCRETE MEDIAN, TYPE SB-6.24 SHALL BE CONSTRUCTED IN ACCORDANCE WITH APPLICABLE PORTIONS OF STANDARD 606301



NOTE: THE CURB AND GUTTER TRANSITION SHALL BE PAID FOR AS COMBINATION CONCRETE CURB AND GUTTER, TYPE B-6.24 PER FOOT AS MEASURED ALONG THE FACE OF CURB

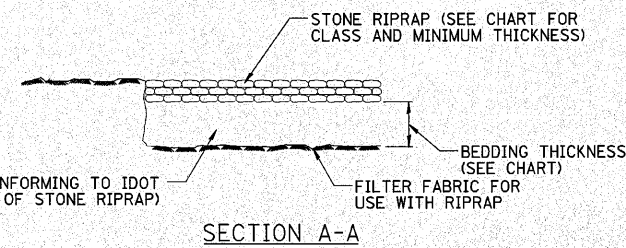
CURB AND GUTTER TRANSITION

NOT TO SCALE



RIPRAP DETAIL

STRUCTURE NUMBER	STA.	LOCATION	OFFSET	PIPE SIZE (IN)	DEFINED CHANNEL	W ₁ (FEET)	W ₂ (FEET)	L _a (FEET)	RIPRAP			
									CLASS	MINIMUM THICKNESS (IN)	BEDDING THICKNESS (IN)	QUANTITY (SQ. YD.)
69	456+80	77' LT.		27	NO	7	15	8	A3	12	NOT REQ.	10
77	458+00	84.9' LT		24	YES	6	15	9	A3	12	NOT REQ.	10
79	458+51	82.0' LT		21	NO	5	15	10	A3	12	NOT REQ.	11
100	471+10	85.0' LT		15	YES	4	10	6	A3	12	NOT REQ.	5
106	472+20	87.1' LT		27	YES	7	16	9	A3	12	NOT REQ.	11
122	472+81.4	84.7' LT		24	NO	6	11	5	A3	12	NOT REQ.	5
170	490+16.17	76.3' LT		27	NO	7	12	5	A3	12	NOT REQ.	5
189	497+00	78.0' RT		33	YES	8	18	10	A3	12	NOT REQ.	14
194	498+25	63.6' LT		24	YES	6	15	9	A3	12	NOT REQ.	10
470	588+88	64.8' LT		12	YES	3	10	7	A3	12	NOT REQ.	5
471	588+86	56.6' RT		12	YES	3	10	7	A3	12	NOT REQ.	5
535	991+90	70.0' RT		48	YES	12	23	11	A3	12	NOT REQ.	21
566	1010+25	66.2' LT	SPAN 30 RISE 19		YES	8	19	11	A3	12	NOT REQ.	16
567	1010+25	62.2' RT	SPAN 30 RISE 19		YES	8	19	11	A3	12	NOT REQ.	16



SECTION A-A

BEDDING COURSE AGGREGATE CA-3 CONFORMING TO IDOT ARTICLE 281 (INCLUDED IN THE COST OF STONE RIPRAP)

REVISIONS	
NAME	DATE

ILLINOIS DEPARTMENT OF TRANSPORTATION

ROADWAY DETAILS

SCALE: VERT. NOT TO SCALE
HORIZ. DATE 6/11/2010

DRAWN BY JRR
CHECKED BY JRV