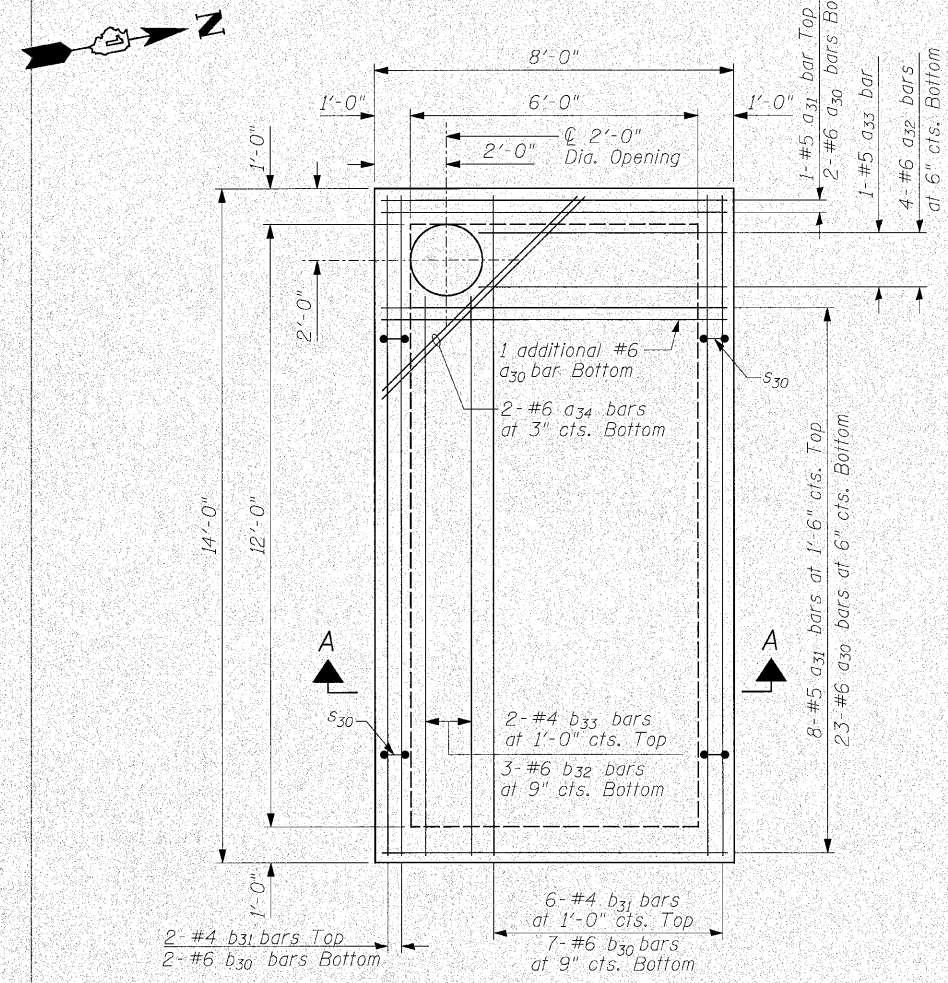
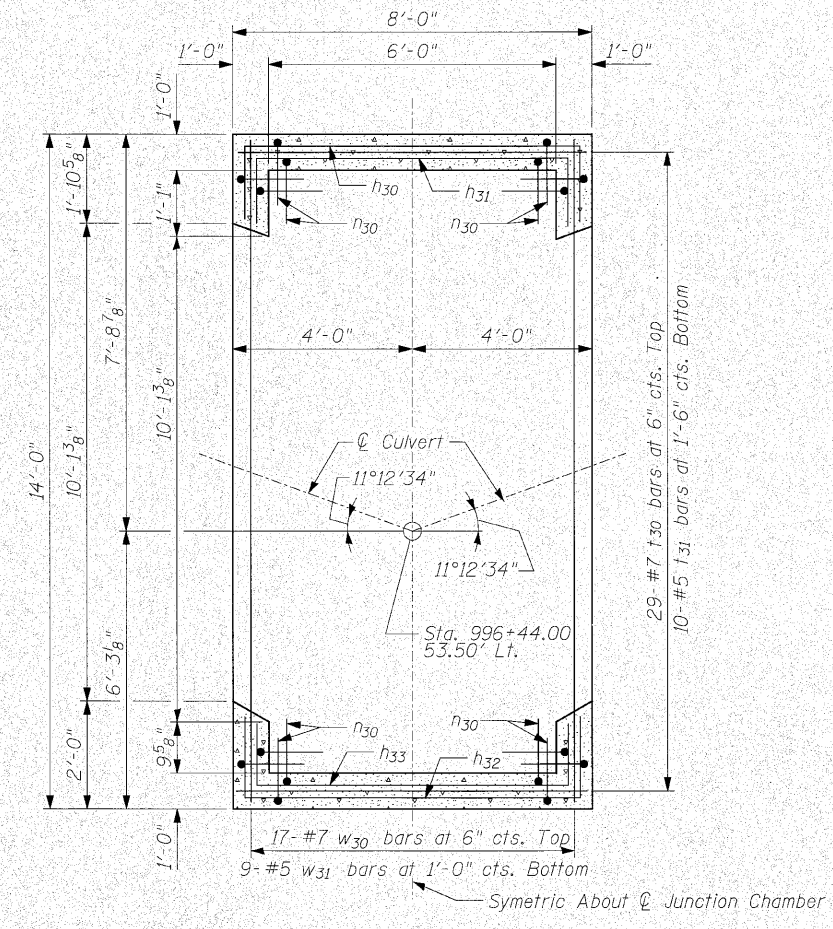


STATE OF ILLINOIS  
DEPARTMENT OF TRANSPORTATION

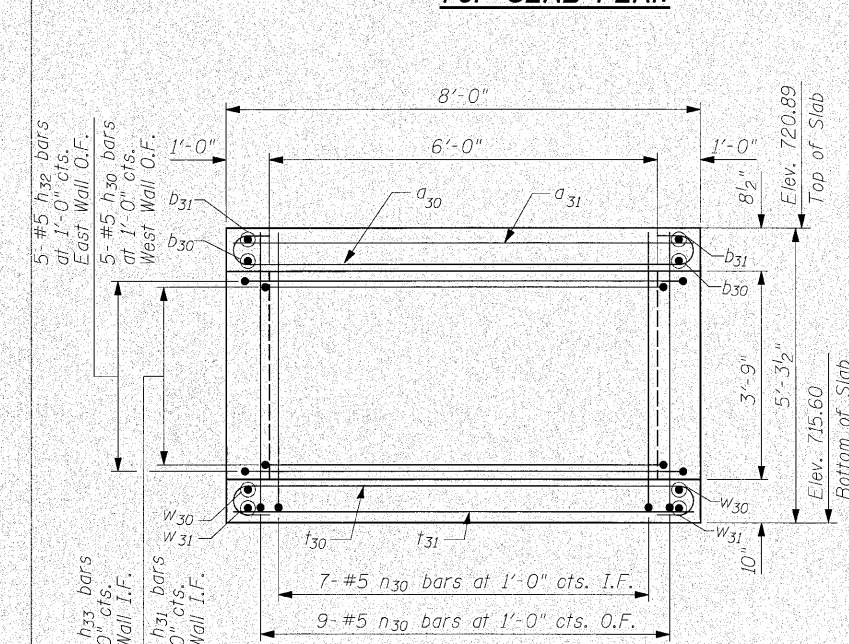
ROUTE NO.	SECTION	COUNTY	TOTAL SHEETS	SHEET NO.	SHEET NO. 7
353	(12&13)WRS-4	Will	608	482	9 SHEETS
FED. ROAD DIST. NO. 7		ILLINOIS	FED. AID PROJECT-		Contract No. 62478



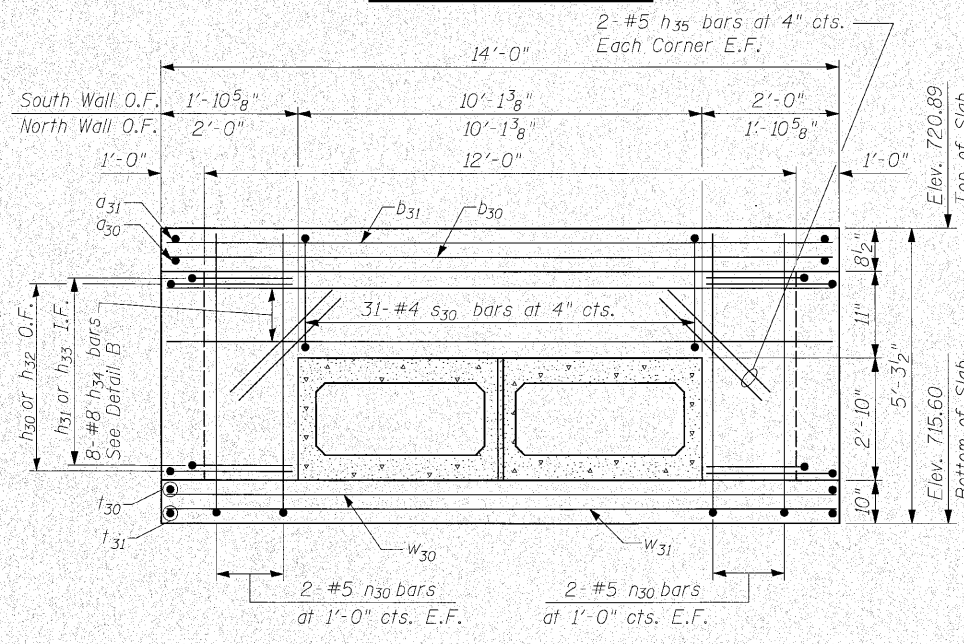
**TOP SLAB PLAN**



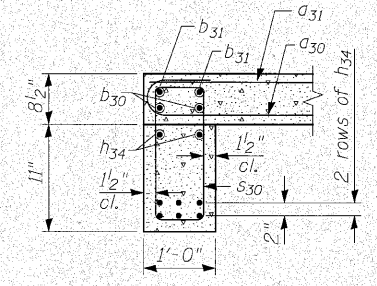
**BOTTOM SLAB PLAN**



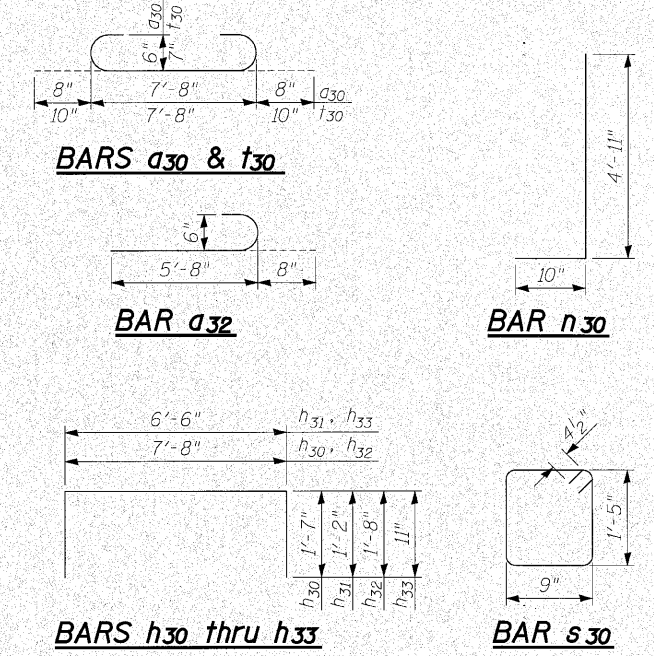
**EAST WALL ELEVATION  
WEST WALL ELEVATION**



**NORTH WALL ELEVATION  
SOUTH WALL ELEVATION**

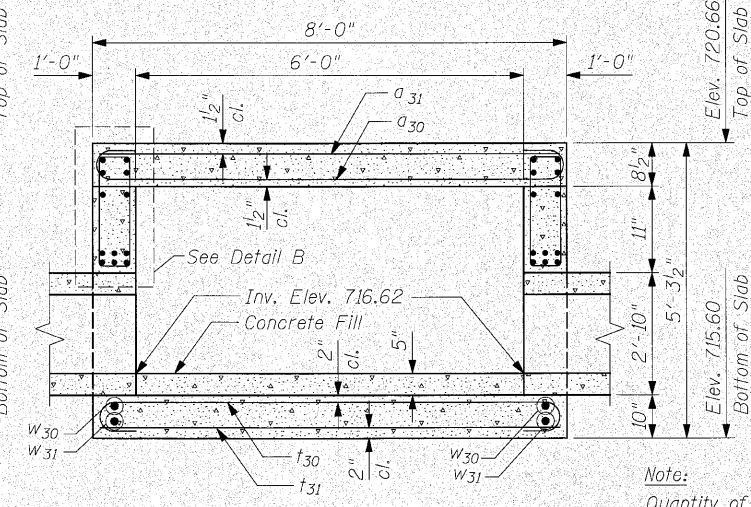


**DETAIL B**



**BILL OF MATERIAL**

Bar	No.	Size	Length	Shape
a30	26	#6	9'-0"	C
a31	9	#5	7'-8"	—
a32	4	#6	6'-4"	U
a33	1	#5	5'-8"	—
a34	2	#6	8'-0"	—
b30	9	#6	13'-8"	—
b31	8	#4	13'-8"	—
b32	3	#6	11'-8"	—
b33	2	#4	11'-8"	—
h30	5	#5	10'-10"	L
h31	5	#5	8'-10"	L
h32	5	#5	11'-0"	L
h33	5	#5	8'-4"	L
h34	16	#8	13'-8"	—
h35	16	#5	2'-0"	—
n30	48	#5	5'-9"	L
s30	62	#4	5'-1"	□
t30	29	#7	9'-4"	C
t31	10	#5	7'-8"	—
w30	17	#7	13'-8"	—
w31	9	#5	13'-8"	—
Concrete Structures			Cu. Yd.	10.9
Reinforcement Bars			Pound	3,370



**SECTION A-A**

Note:  
Quantity of Concrete Structures and Reinforcement Bars is shown for information only.

**JUNCTION CHAMBER NO. 9  
U.S. ROUTE 30 OVER  
DRAINAGE DITCH  
F.A.P. ROUTE 353 SEC. (12&13)WRS-4  
WILL COUNTY  
STATION 579+38.78  
STRUCTURE NO. 099-C028**

**INFRASTRUCTURE ENGINEERING** | INCORPORATED  
33 West Monroe | Suite 1540 | Chicago, IL 60603  
P 312.425.9560 | F 312.425.9564 | www.infrastructure-eng.com

P:\P-03\1505\Drawings\Final Design\579+38.78 Drawings Sheets\c1v579-s107\JC9.dgn 3/5/2010 3:52:09 PM

DESIGNED	SST
CHECKED	SPK
DRAWN	ASJ
CHECKED	SST