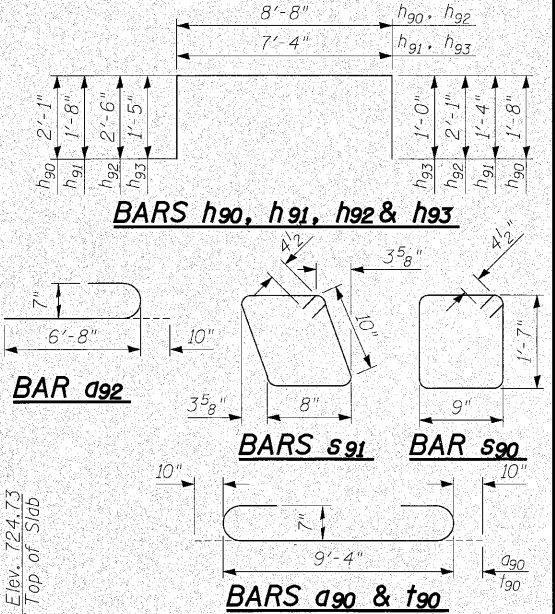
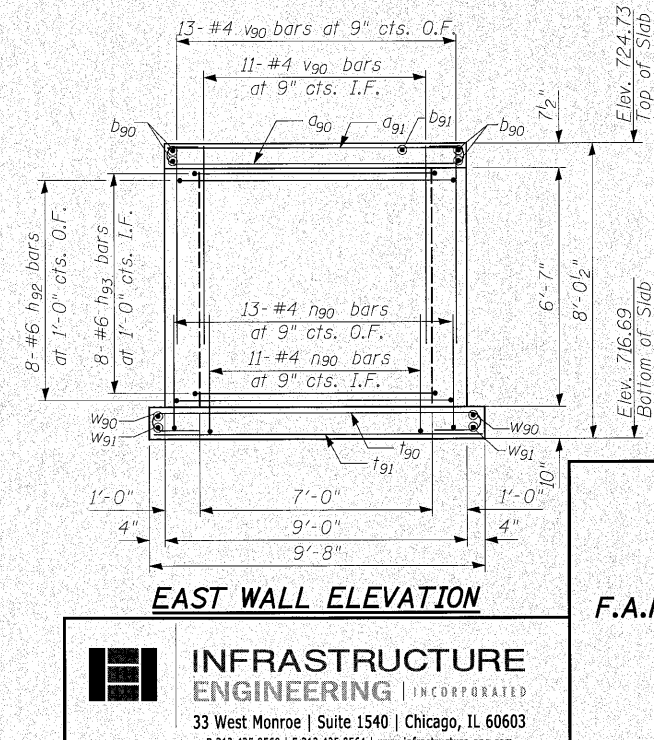
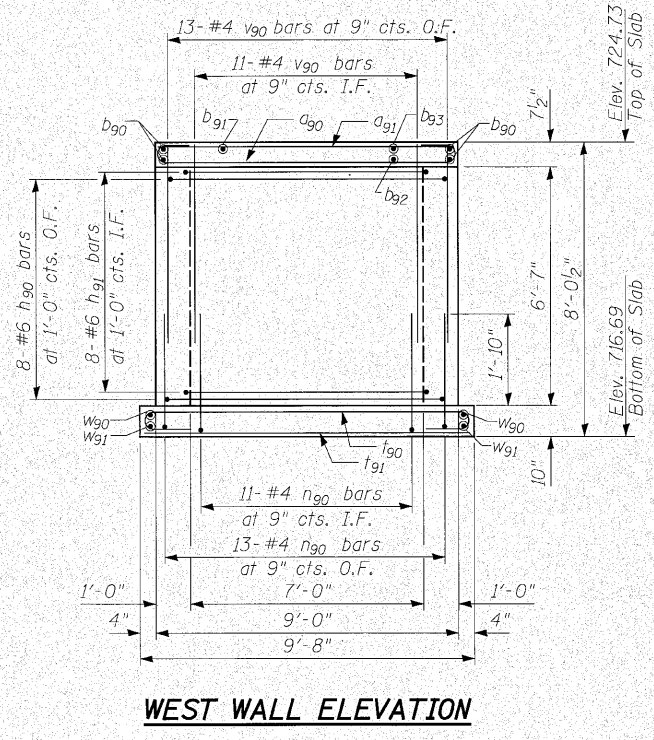
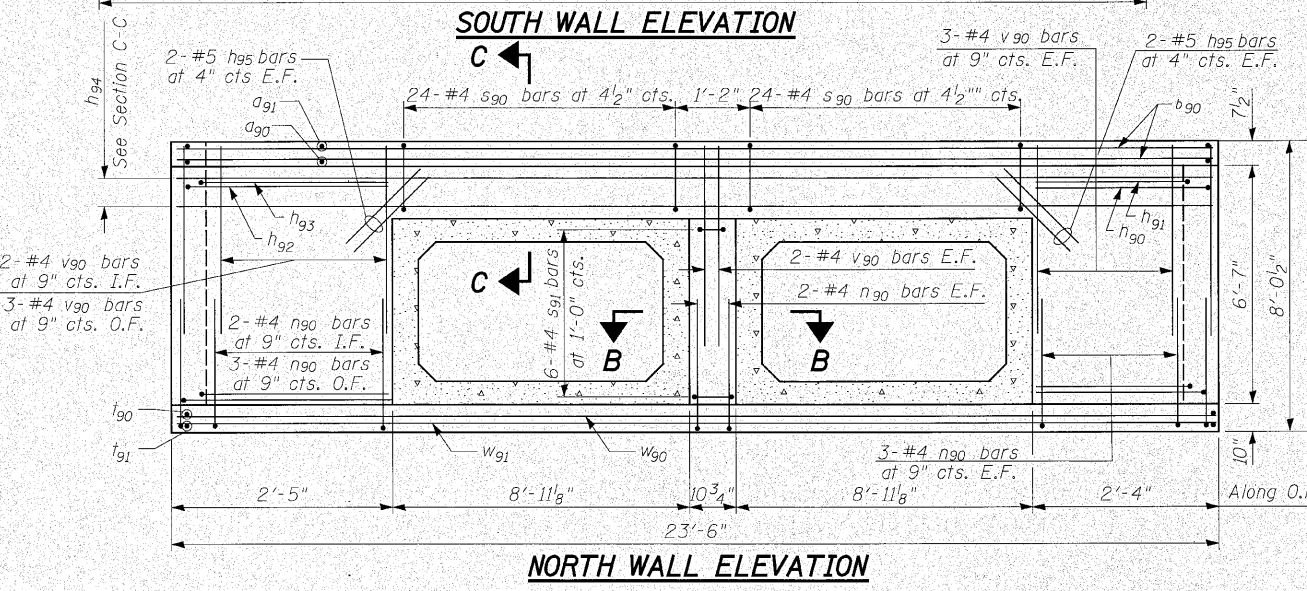
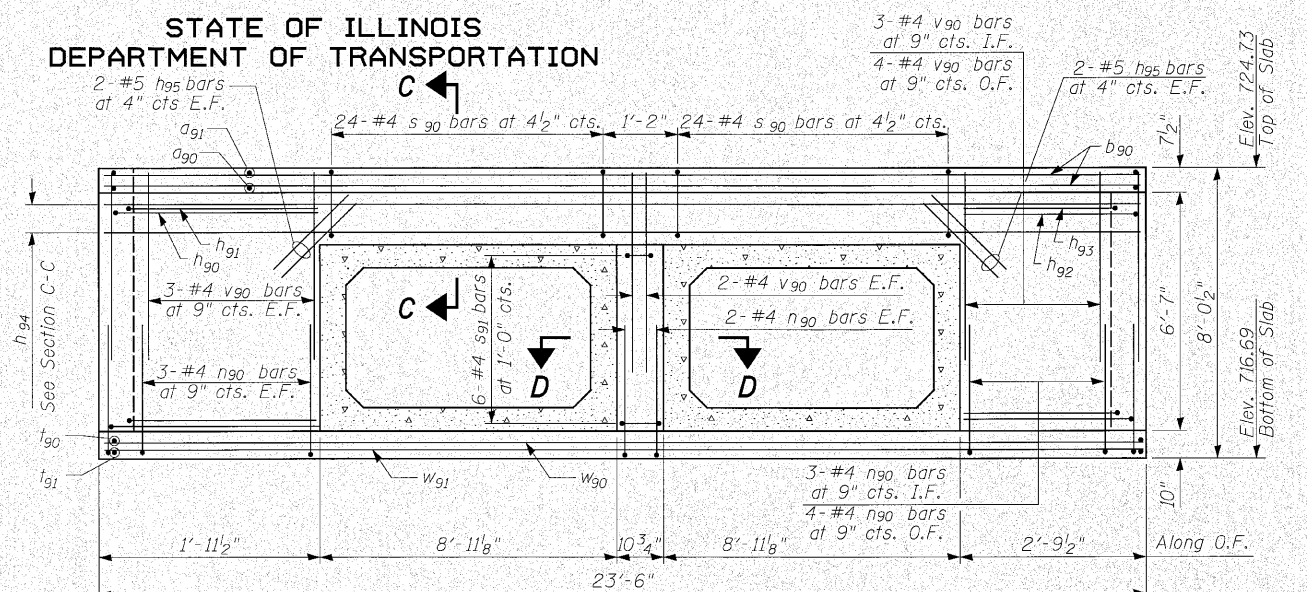
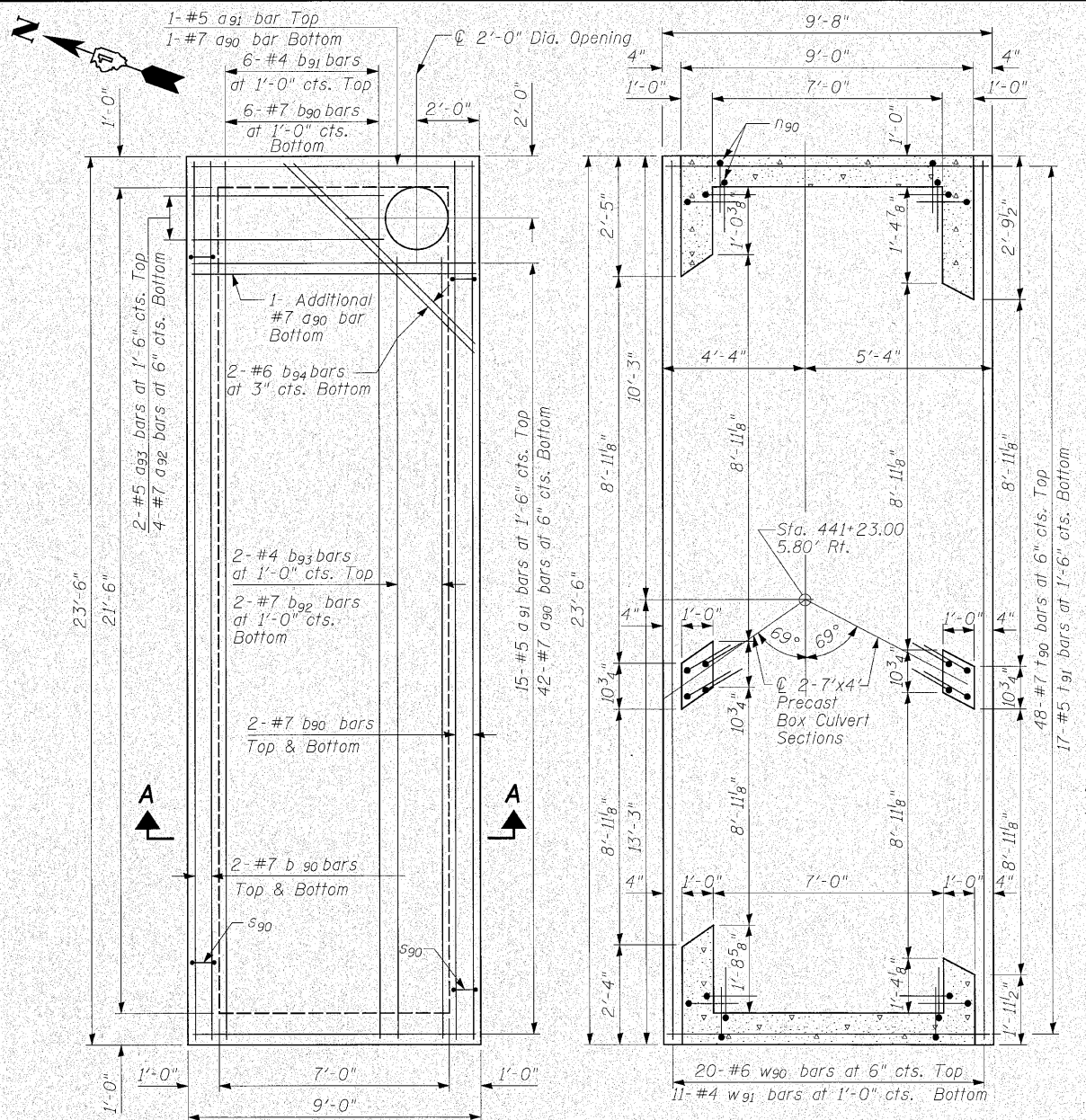


STATE OF ILLINOIS
DEPARTMENT OF TRANSPORTATION

ROUTE NO.	SECTION	COUNTY	TOTAL SHEETS	SHEET NO.
353	(12&13)WRS-4	Will	608	452
SHEET NO. 13 23 SHEETS				

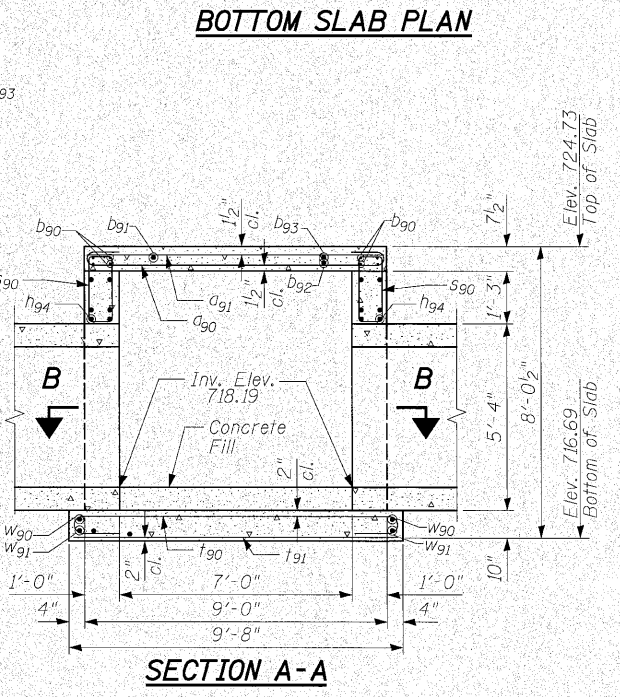
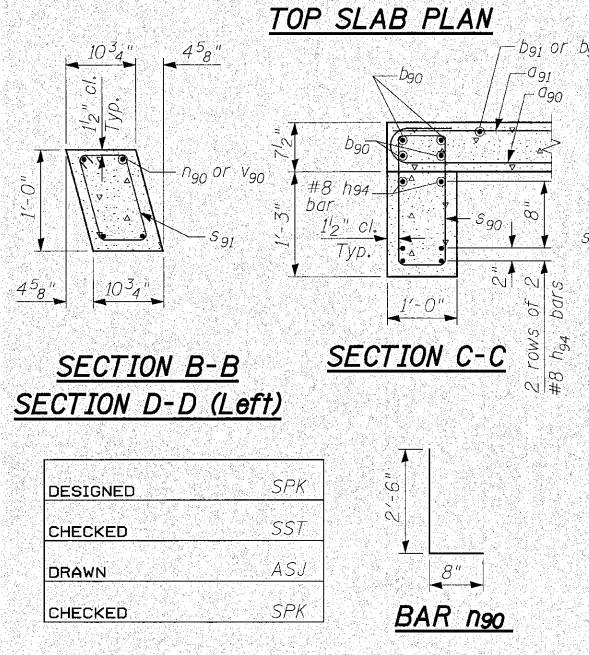
Contract No. 62478



BILL OF MATERIAL

Bar	No.	Size	Length	Shape	
a90	44	#7	10'-4"	C	
a91	16	#5	8'-8"	—	
a92	4	#7	7'-6"	U	
a93	2	#5	6'-8"	—	
b90	14	#7	23'-2"	—	
b91	6	#4	23'-2"	—	
b92	2	#7	21'-2"	—	
b93	2	#4	21'-2"	—	
b94	2	#6	8'-0"	—	
h90	8	#6	12'-5"	┌	
h91	8	#6	10'-4"	┌	
h92	8	#6	13'-3"	┌	
h93	8	#6	9'-9"	┌	
h94	12	#8	23'-2"	—	
h95	16	#5	2'-0"	—	
n90	80	#4	3'-2"	L	
s90	96	#4	5'-5"	┌	
s91	12	#4	3'-2"	┌	
t90	48	#7	11'-0"	C	
t91	17	#5	9'-4"	—	
v90	80	#4	6'-11"	—	
w90	20	#6	23'-2"	—	
w91	11	#4	23'-2"	—	
Concrete Structures				Cu. Yd.	19.7
Reinforcement Bars				Pound	6,390

Note: Quantity of Concrete Structures and Reinforcement Bars is shown for information only.



DESIGNED	SPK
CHECKED	SST
DRAWN	ASJ
CHECKED	SPK

JUNCTION CHAMBER NO. 4
U.S. ROUTE 30 OVER
HICKORY CREEK TRIBUTARY 1
F.A.P. ROUTE 353 SEC. (12&13)WRS-4
WILL COUNTY
STATION 441+23.00
STRUCTURE NO. 099-4626

INFRASTRUCTURE ENGINEERING INCORPORATED
33 West Monroe | Suite 1540 | Chicago, IL 60603
P 312.425.9560 | F 312.425.9564 | www.infrastructure-eng.com

P:\P-03\15095\Drawings\Final_Design\441+23.00\Drawings\Sheets\Sheet\13\13104.dgn
 6/9/2018 1:43:07 PM