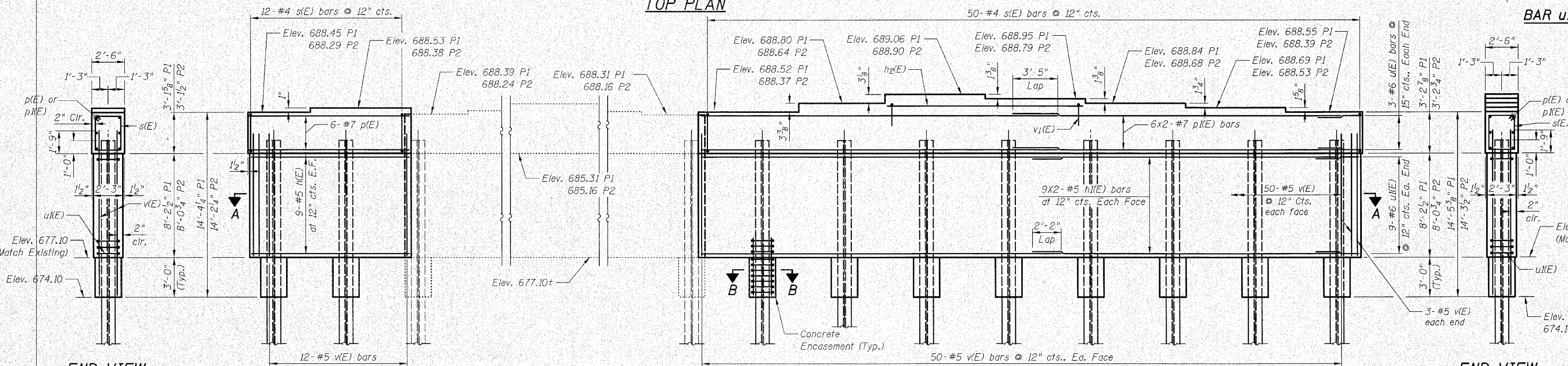
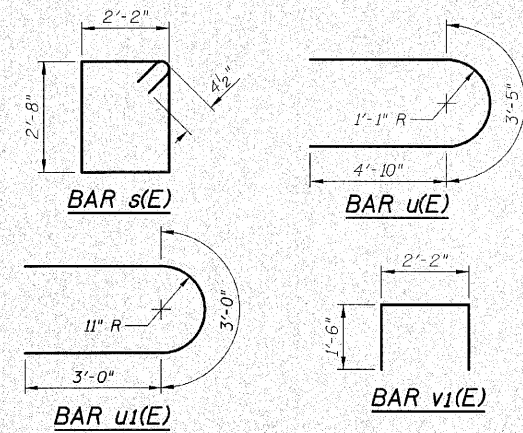
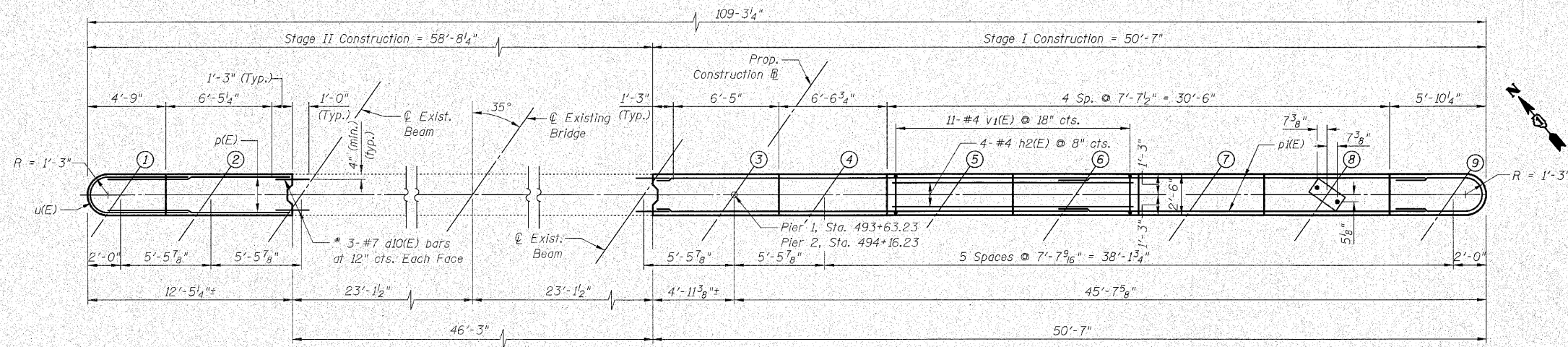


Contract No. 62478



END VIEW

ELEVATION

END VIEW

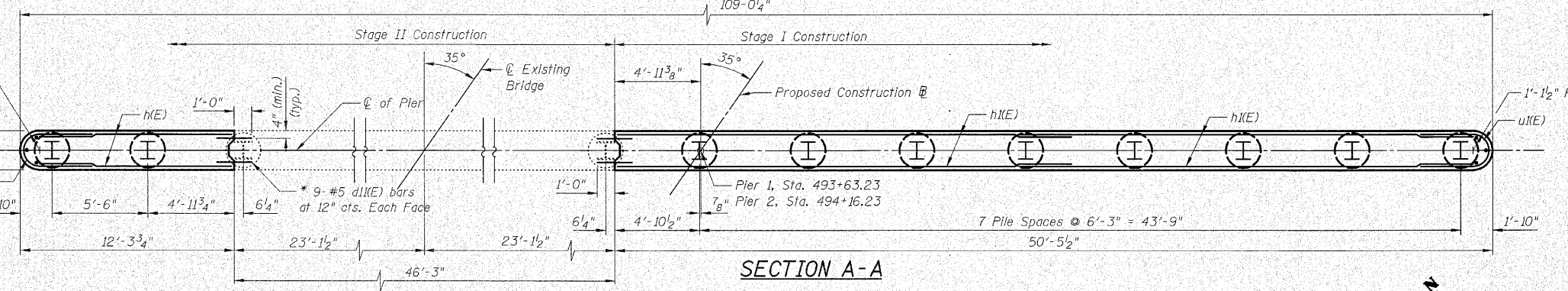
**PILE DATA**

Type: Steel HP 12x74  
 Nominal Required Bearing: 589 kips  
 Allowable Resistance Available: 196 kips  
 Estimated Length: 35 feet (Pier 1 & 2)  
 No. Production Piles: 19 (Pier 1 & 2)  
 No. Test Piles: 1

**BILL OF MATERIAL**  
 (For two Piers)

Bar	No.	Size	Length	Shape
d1(E)	12	#7	2'-0"	—
d1(E)	36	#5	2'-0"	—
h(E)	36	#5	11'-0"	—
h1(E)	72	#5	25'-7"	—
h2(E)	8	#4	14'-9"	—
p(E)	12	#7	11'-0"	—
p1(E)	24	#7	26'-3"	—
s(E)	124	#4	10'-5"	□
u(E)	12	#6	13'-1"	U
u1(E)	36	#6	9'-0"	U
v(E)	260	#5	9'-11"	—
v1(E)	22	#4	5'-2"	—
Concrete Encasement Cu. Yd. 7.0				
Concrete Structures Cu. Yd. 123.0				
Reinforcement Bars, Epoxy Coated Pound 8,450				
Structure Excavation Cu. Yd. 96				
Furnishing Steel Piles HP12x74 Foot 665				
Driving Piles Foot 665				
Test Pile HP12x74 Each 1				
Pile Shoes Each 20				

Minimum Lap Length	
Size	Lap
#4	1'-8"
#5	2'-2"
#6	2'-7"
#7	3'-5"



SECTION A-A

\* Core and set #7 d1(E) bar and #5 d1(E) bar according to Article 509.06 of the Standard Specifications. Cored holes shall be roughened or scored per manufacturer's recommendations.

**NOTES:**

- If a portion of the pier wall or concrete encasement is under water, reinforcement may be placed underwater into forms. Concrete shall be tremied according to Article 503.08 of the Standard Specifications to an elevation of 1'-0" above the water line at the time of construction.
- Space reinforcement in cap to miss anchor bolts.
- Pour steps monolithically with cap.
- All edges shall have standard 3/4" chamfers except as noted.
- Bars indicated thus 1 x 3-#5 etc. Indicates 1 line of bars with 3 lengths per line.
- For details of piles and Concrete Encasement, See Sheet S20.

S19 OF S26

STATE OF ILLINOIS  
 DEPARTMENT OF TRANSPORTATION  
 PIERS  
 U.S. RTE. 30 OVER HICKORY CREEK  
 STATION 493+89.73  
 STRUCTURE NUMBER 099-0311

SCALE: None  
 DATE: June 11, 2010

DRAWN BY: C. Cooney  
 CHECKED BY: G. Hatlestad