

Contract No. 62478

**BILL OF MATERIAL**

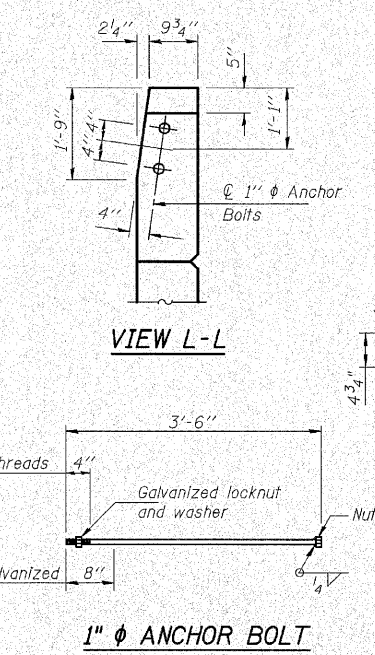
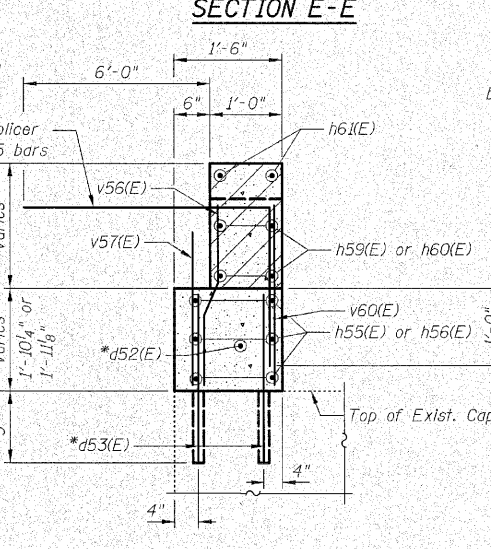
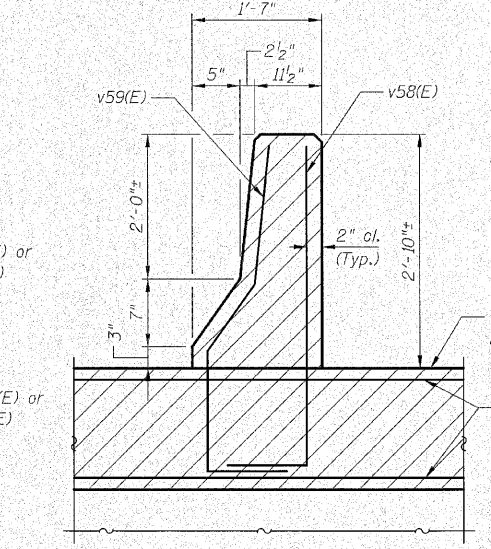
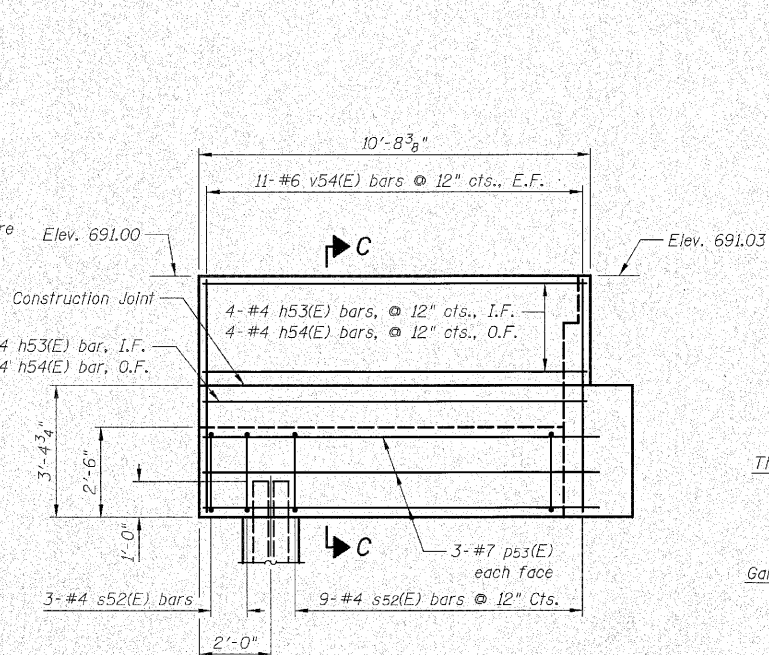
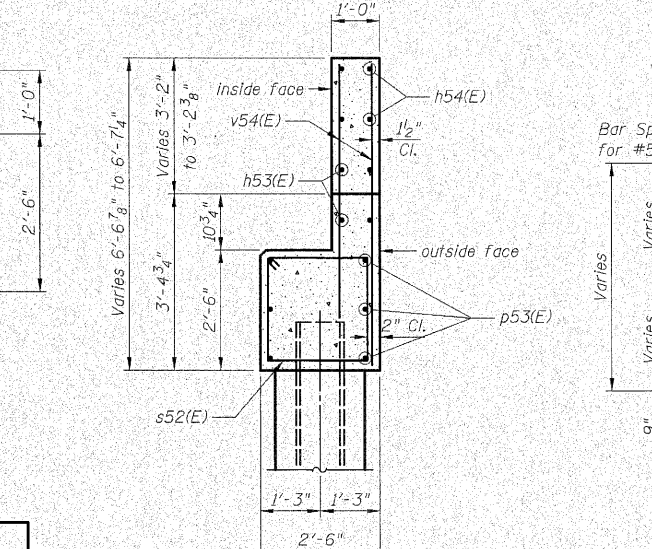
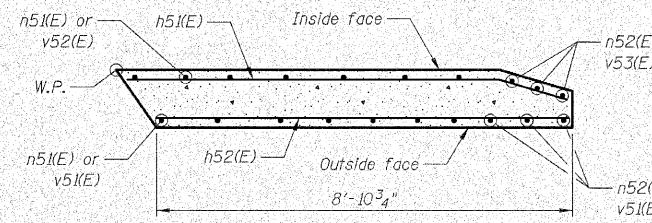
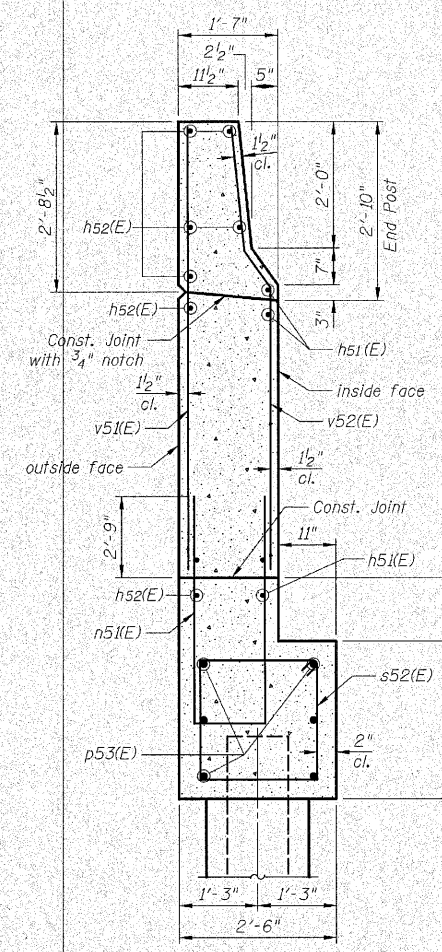
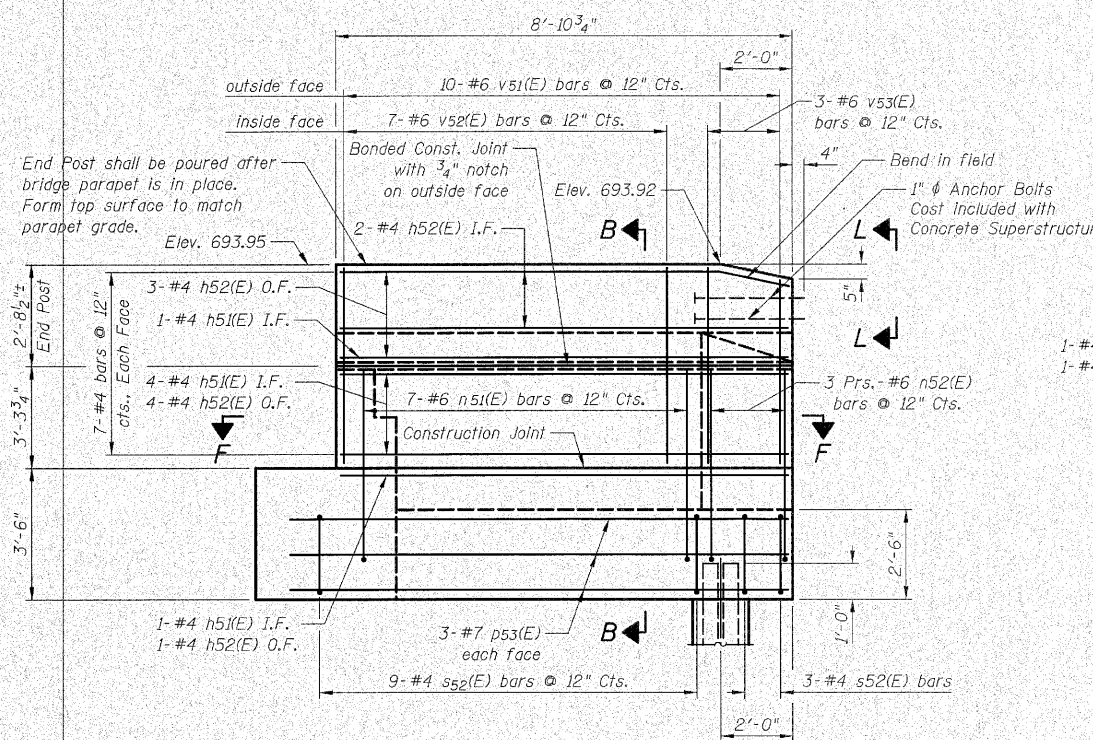
Bar	No.	Size	Length	Shape
d51(E)	12	#8	2'-0"	▬
d52(E)	2	#5	2'-0"	▬
d53(E)	8	#5	2'-4"	▬
d54(E)	5	#5	3'-4"	▬
h51(E)	6	#5	9'-6"	▬
h52(E)	10	#5	8'-7"	▬
h53(E)	5	#5	9'-9"	▬
h54(E)	5	#5	10'-2"	▬
h55(E)	12	#5	25'-4"	▬
h56(E)	6	#5	10'-11"	▬
h57(E)	10	#5	6'-5"	▬
h58(E)	10	#5	7'-4"	▬
h59(E)	8	#5	30'-2"	▬
h60(E)	8	#5	27'-4"	▬
h61(E)	2	#5	21'-7"	▬
h62(E)	2	#5	15'-0"	▬
n51(E)	7	#6	11'-4"	▬
n52(E)	6	#6	5'-3"	▬
p51(E)	16	#7	26'-0"	▬
p52(E)	8	#7	10'-2"	▬
p53(E)	12	#7	10'-6"	▬
s51(E)	51	#4	14'-7"	▬
s52(E)	24	#4	9'-5"	▬
s53(E)	1	#4	14'-11"	▬
s54(E)	1	#4	16'-3"	▬
s55(E)	16	#4	7'-11"	▬
v51(E)	10	#6	5'-3"	▬
v52(E)	7	#6	5'-10"	▬
v53(E)	3	#6	5'-3"	▬
v54(E)	22	#6	6'-3"	▬
v55(E)	114	#5	5'-0"	▬
v56(E)	62	#5	3'-0"	▬
v57(E)	62	#5	2'-10"	▬
v58(E)	2	#5	4'-10"	▬
v59(E)	2	#5	5'-0"	▬
v60(E)	4	#5	2'-9"	▬
u51(E)	4	#5	9'-5"	▬
u52(E)	4	#5	7'-2"	▬
Concrete Structures	Cu. Yd.		48.6	
Reinforcement Bars, Epoxy Coated	Pound		5,080	
Furnishing Steel Piles HP 12x63	Foot		455	
Driving Steel Piles	Foot		455	
Test Pile HP 12x63	Each		1	
Concrete Encasement	Cu. Yd.		4.9	
Pile Shoes	Each		14	
Concrete Sealer	Sq. Ft.		264	
Porous Granular Embankment (Special)	Cu. Yd.		71	
Structure Excavation	Cu. Yd.		58	
Protective Coat	Sq. Yd.		4	
Bar Splicers	Each		62	
Concrete Superstructure	Cu. Yd.		8.2	

- Notes:
- For details of Bar Splicers, see sheet S23.
  - Bars indicated thus 1 x 2-#5 etc., indicates 1 line of bars with 2 lengths per line.
  - Quantity of concrete in end post included with Concrete Superstructure on Sheet S9.
  - For Concrete encasement details, See Sheet S20.

S18 OF S26

STATE OF ILLINOIS  
DEPARTMENT OF TRANSPORTATION  
EAST ABUTMENT  
DETAILS & BILL OF MATERIAL  
U.S. RTE. 30 OVER HICKORY CREEK  
STATION 493+89.73  
STRUCTURE NUMBER 099-0311

SCALE: None  
DATE: June 11, 2010  
DRAWN BY: C. Cooney  
CHECKED BY: G. Halstead



**Bars s51(E) thru s54(E)**

Bar	A	B
s51(E)	3'-0"	3'-11"
s52(E)	2'-2"	2'-2"
s53(E)	3'-0"	4'-1"
s54(E)	3'-0"	4'-9"

**Bars d54(E), n51(E) & s55(E)**

Bar	C	D
d54(E)	10"	1'-8"
n51(E)	5'-0"	1'-4"
s55(E)	2'-0"	3'-11"

