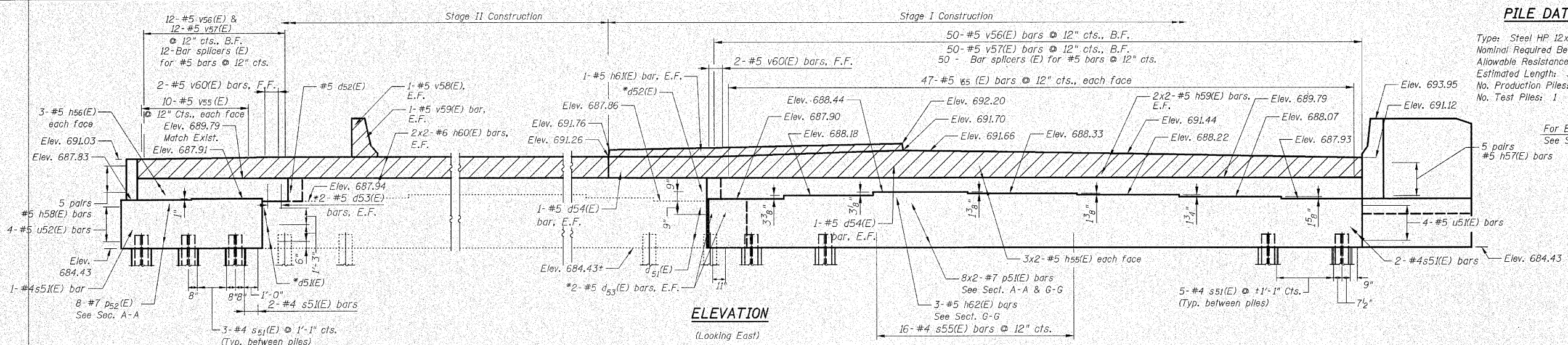


PILE DATA

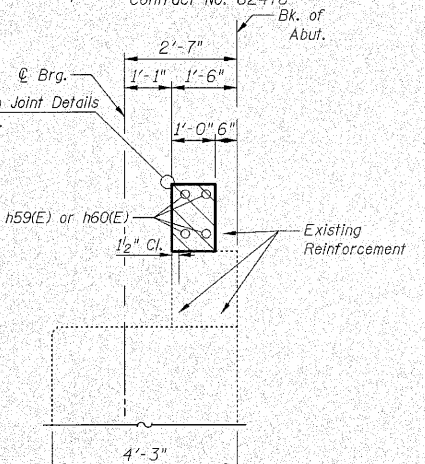
Type: Steel HP 12x63
 Nominal Required Bearing: 497 kips
 Allowable Resistance Available: 166 kips
 Estimated Length: 35 feet
 No. Production Piles: 13
 No. Test Piles: 1

ROLL NO.	SECTION	COUNTY	DATE	SHEET
353	(12&13) WRS-4	WILL	608	430
FED. ROAD DIST. NO. 1		ILLINOIS	FED. AID PROJECT	

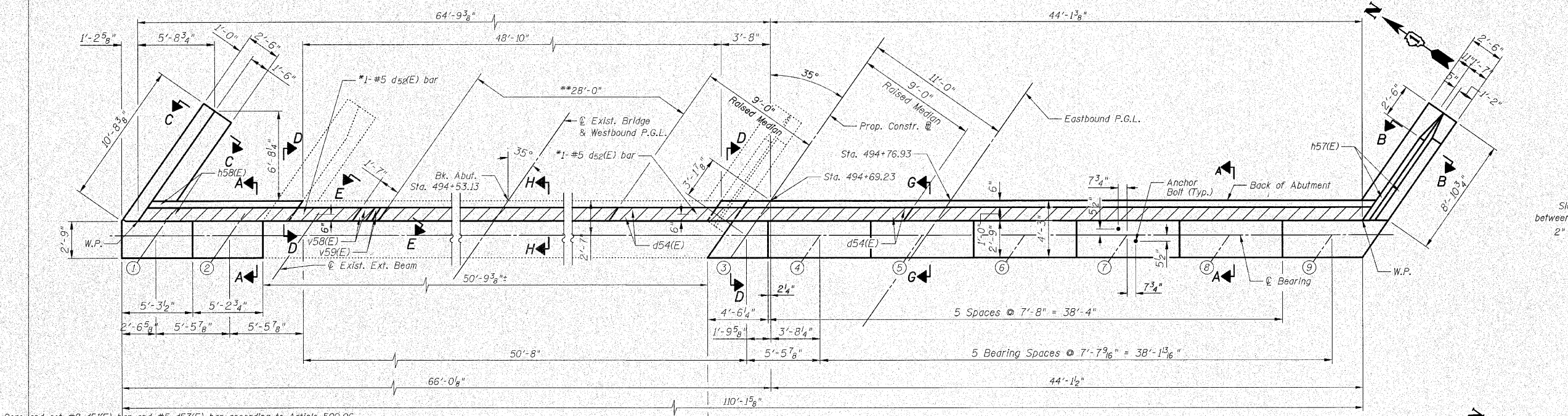
Contract No. 62478



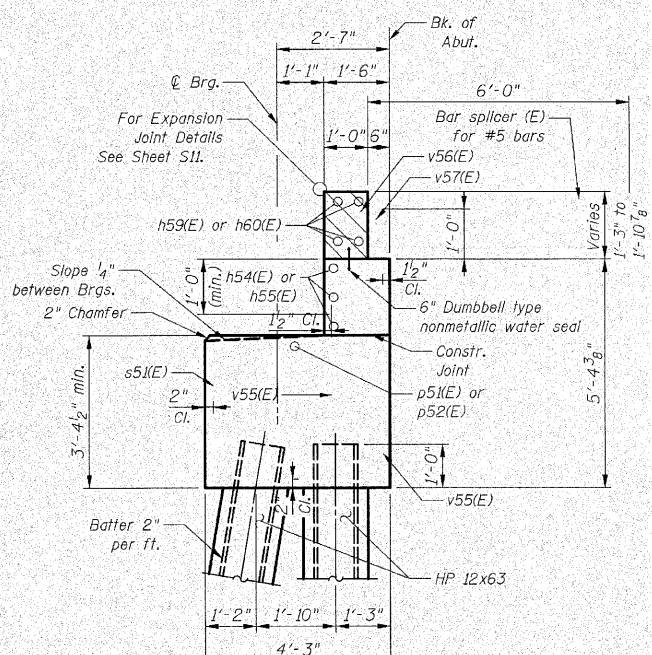
ELEVATION
(Looking East)



SECTION H-H



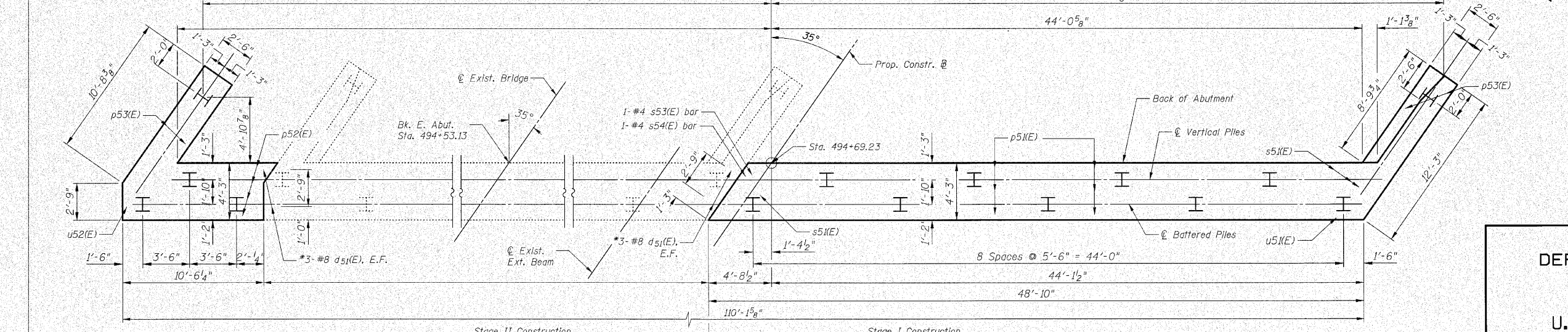
TOP PLAN



SECTION A-A

* Core and set #8 d5(E) bar and #5 d53(E) bar according to Article 509.06 of the Standard Specifications. Cored holes shall be roughened or scored per manufacture's recommendations.

** Perpendicular to Proposed Construction @



PLAN - PILE CAP

- Notes:**
- See Sheet S18 for Sections B-B, C-C, D-D, E-E and G-G.
 - See Sheet S18 for Wall Details, Bar Bending Diagrams and the Bill of Material.
 - Hatched area to be poured after superstructure forms have been removed. Quantity of concrete included with Concrete Superstructure.
 - Space reinforcement in cap to miss anchor bolts.
 - Pour steps monolithically with cap.
 - For concrete encasement details see Sheet S20.

S17 OF S26

STATE OF ILLINOIS
DEPARTMENT OF TRANSPORTATION
EAST ABUTMENT
U.S. RTE. 30 OVER HICKORY CREEK
STATION 493+89.73
STRUCTURE NUMBER 099-0311

SCALE: None
DATE: June 11, 2010
DRAWN BY: C. Cooney
CHECKED BY: G. Hatlestad

450 E Devon Ave, Suite 300
 Itasca, Illinois 60143
 Tel: 630.773.3900 Fax: 630.773.3975
 www.civiltechinc.com