

Contract No. 62478

BILL OF MATERIAL

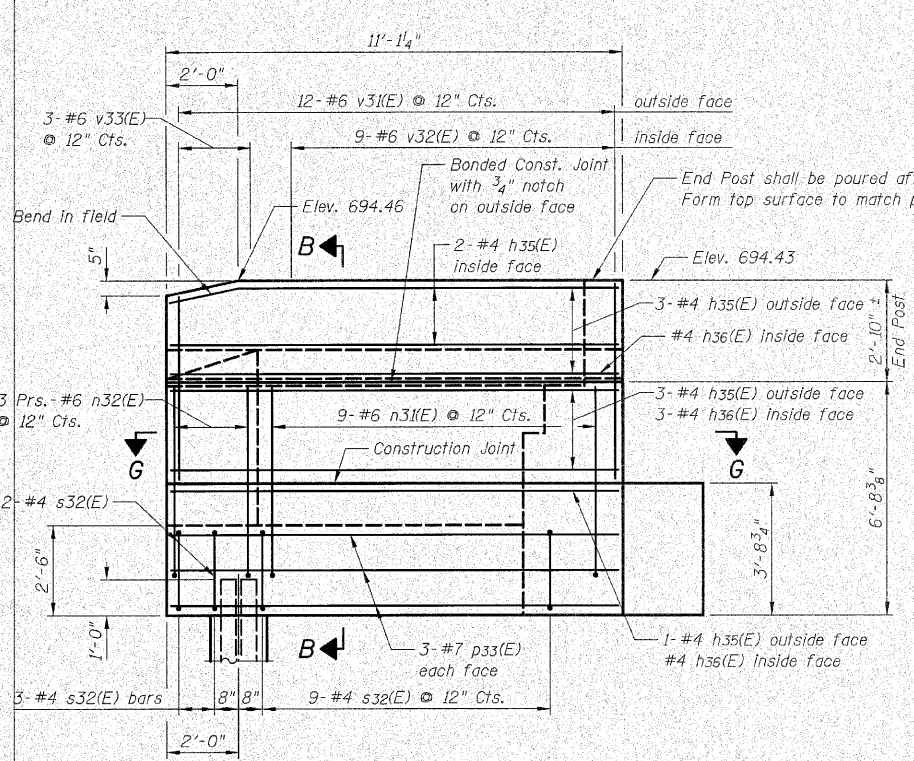
Bar	No.	Size	Length	Shape
d31(E)	12	#8	2'-0"	
d32(E)	2	#5	2'-0"	
d33(E)	8	#5	2'-3"	
d34(E)	4	#5	3'-3"	
h31(E)	8	#5	30'-3"	
h32(E)	12	#5	26'-0"	
h33(E)	8	#5	27'-10"	
h34(E)	6	#5	11'-1"	
h35(E)	9	#4	10'-9"	
h36(E)	5	#4	9'-11"	
h37(E)	8	#4	9'-0"	
h38(E)	10	#5	7'-3"	
h39(E)	10	#5	7'-4"	
h40(E)	2	#5	12'-9"	
h41(E)	3	#5	15'-0"	
n31(E)	9	#6	12'-2"	
n32(E)	6	#6	5'-8"	
p31(E)	24	#7	26'-0"	
p32(E)	12	#7	10'-2"	
p33(E)	6	#7	10'-9"	
p34(E)	6	#7	12'-2"	
s31(E)	51	#4	15'-3"	
s32(E)	24	#4	9'-5"	
s33(E)	1	#4	15'-1"	
s34(E)	16	#5	7'-11"	
v31(E)	12	#6	5'-3"	
v32(E)	9	#6	5'-8"	
v33(E)	3	#6	4'-11"	
v34(E)	20	#6	6'-2"	
v35(E)	120	#5	5'-0"	
v36(E)	60	#5	2'-10"	
v37(E)	58	#5	2'-6"	
v38(E)	2	#5	3'-2"	
v39(E)	2	#5	5'-0"	
v40(E)	2	#5	5'-0"	
u31(E)	4	#5	7'-0"	
u32(E)	4	#5	8'-6"	
Concrete Structures	Cu. Yd.		50.2	
Reinforcement Bars, Epoxy Coated	Pound		5,610	
Furnishing Steel Piles HP 12x63	Foot		455	
Driving Piles	Foot		455	
Test Pile Steel HP 12x63	Each		1	
Concrete Encasement	Cu. Yd.		4.9	
Piles Shoes	Each		14	
Concrete Sealer	Sq. Ft.		250	
Structure Excavation	Cu. Yd.		63	
Porous Granular Embankment (Special)	Cu. Yd.		71	
Protective Coat	Sq. Yd.		5	
Bar Splicers	Each		60	
Concrete Superstructure	Cu. Yd.		8.0	

- Notes:
- For details of Bar Splicers, see sheet S23.
 - Bars indicated thus 1 x 2-#5 etc. indicates 1 line of bars with 2 lengths per line.
 - Quantity of concrete in end post is included with Concrete Superstructure on Sheet S9.
 - For concrete encasement details see Sheet S20.

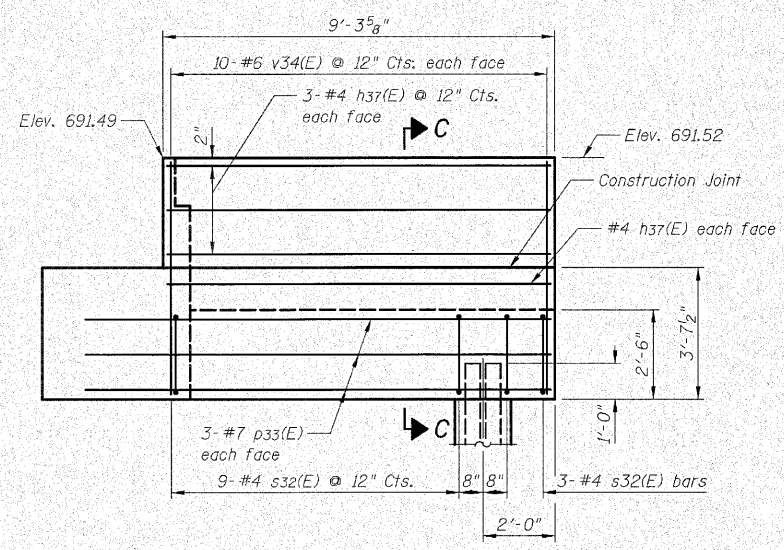
S16 OF S26

STATE OF ILLINOIS
 DEPARTMENT OF TRANSPORTATION
 WEST ABUTMENT
 DETAILS & BILL OF MATERIAL
 U.S. RTE. 30 OVER HICKORY CREEK
 STATION 493+89.73
 STRUCTURE NUMBER 099-0311

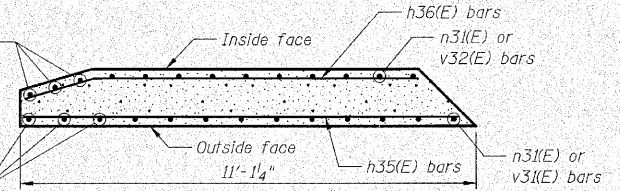
SCALE: None
 DATE: June 11, 2010
 DRAWN BY: C. Cooney
 CHECKED BY: G. Hatlestad



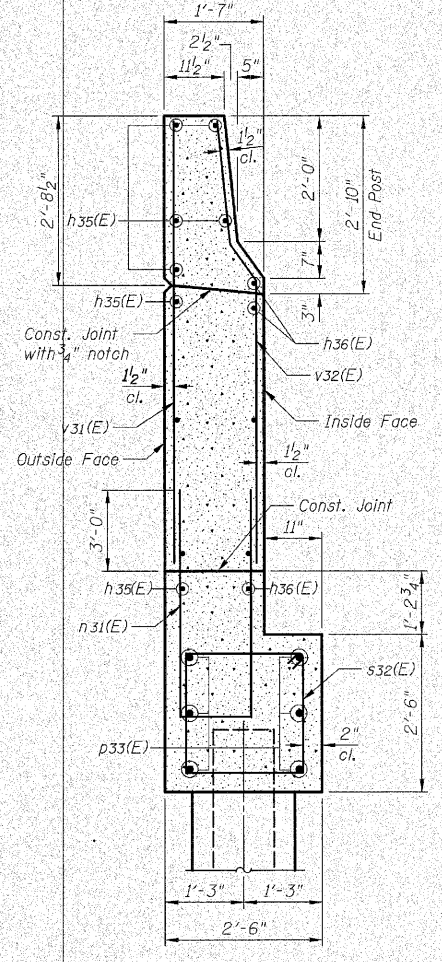
ELEVATION - SOUTHWEST WINGWALL



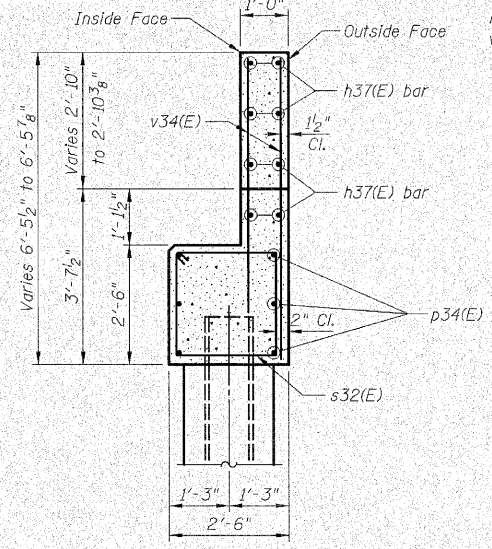
ELEVATION - NORTHWEST WINGWALL



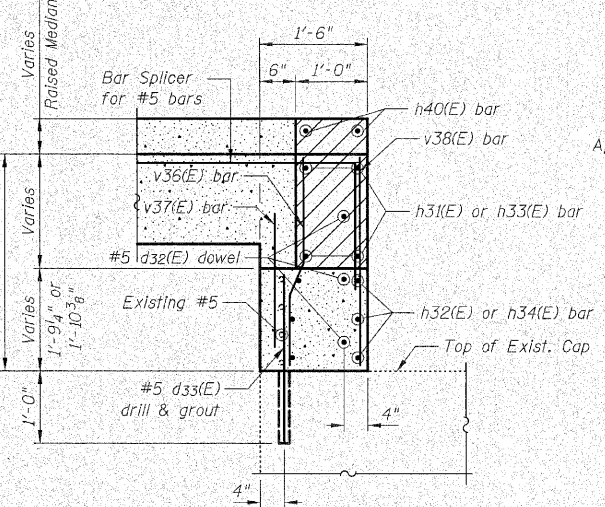
SECTION G-G



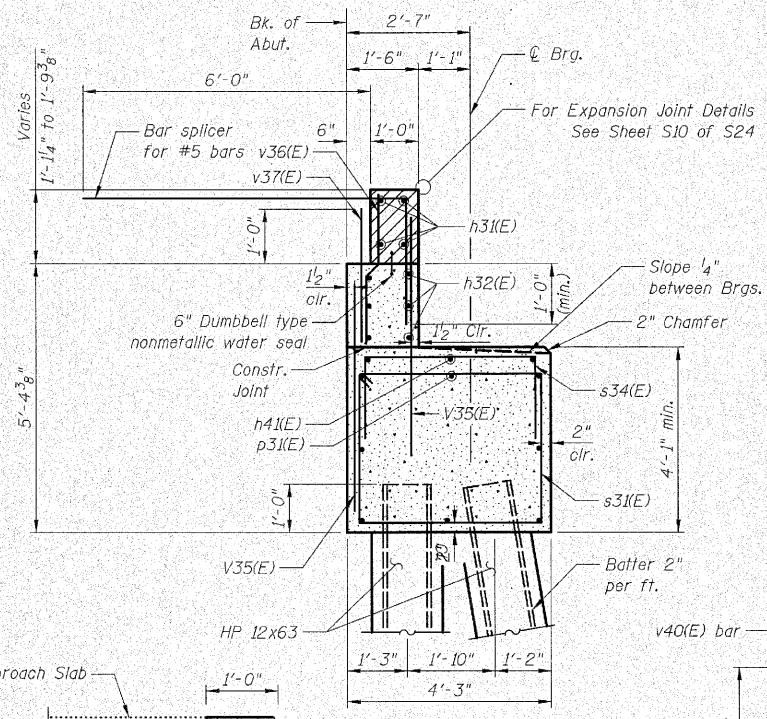
SECTION B-B



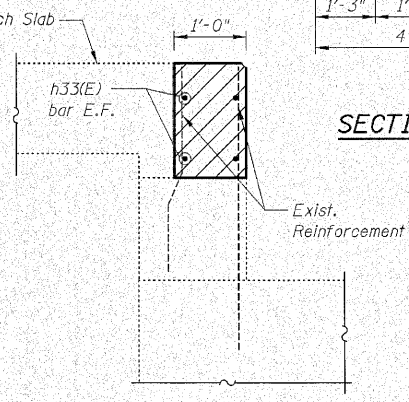
SECTION C-C



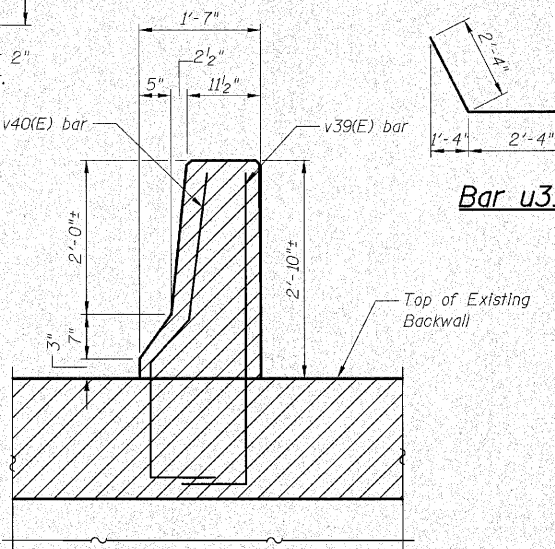
SECTION D-D



SECTION H-H



SECTION E-E



SECTION F-F

